



# Quick Start Guide

InSight Series Bullet Network Camera

\*Images may differ from actual products.  
InSight S345ZI is used for demonstration in this guide.

# Contents

---

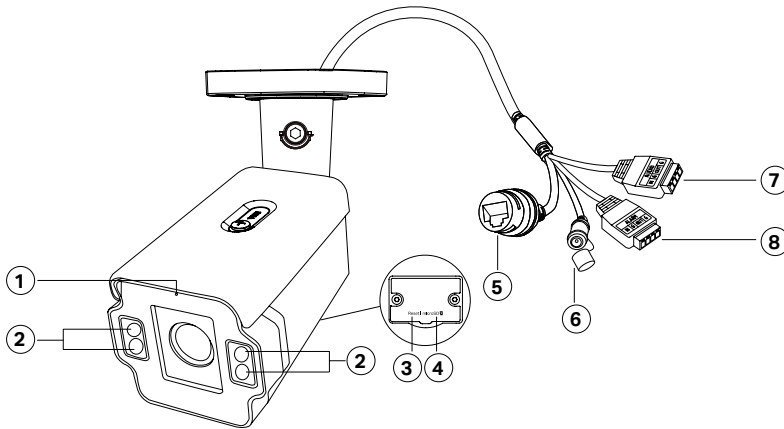
<b>Chapter 1 Appearance</b>	<b>1</b>
<b>Chapter 2 Installation</b>	<b>4</b>
2.1 Safety First.....	4
2.2 Mount the Camera .....	4
2.3 Install microSD Card (Optional) .....	7
2.4 Connect Alarm/Audio Device (Optional).....	8
2.5 Waterproof (Optional) .....	9
<b>Chapter 3 Configuration</b>	<b>10</b>
3.1 For Wired Camera .....	10
3.2 For 4G Camera .....	11
<b>Appendix FAQ</b>	<b>14</b>

## Chapter 1 Appearance

---

The figure is for demonstration purposes only. Your device may differ in appearance from the depicted.

- **InSight S345ZI**



① **Built-in Microphone**

② **IR LED × 4**

③ **Reset:** Unfasten the two fixed screws to remove the cover. Press for 5 seconds to reset the camera to factory settings.

④ **microSD Card Slot:** Unfasten the two fixed screws to remove the cover. Insert a microSD card for local storage. Initialize the SD card via VIGI app or other management tools before recording videos.

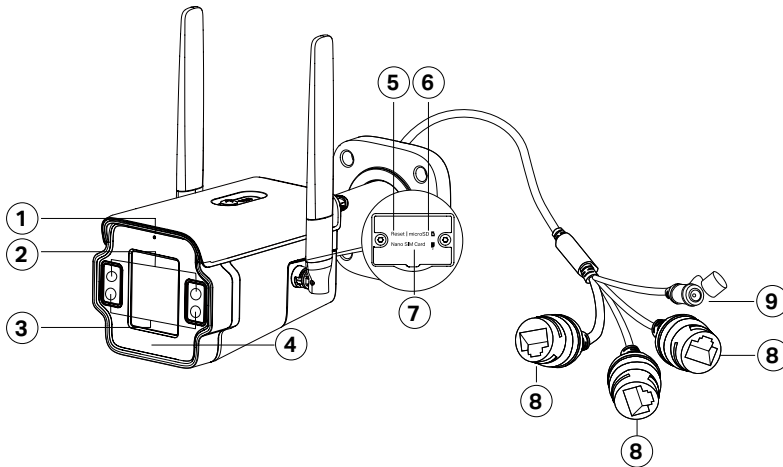
⑤ **RJ45 Network Interface** (supports PoE)

⑥ **Power Supply Interface**

⑦ **Audio Interface**

⑧ **Alarm Interface**

▪ **InSight S345-4G**

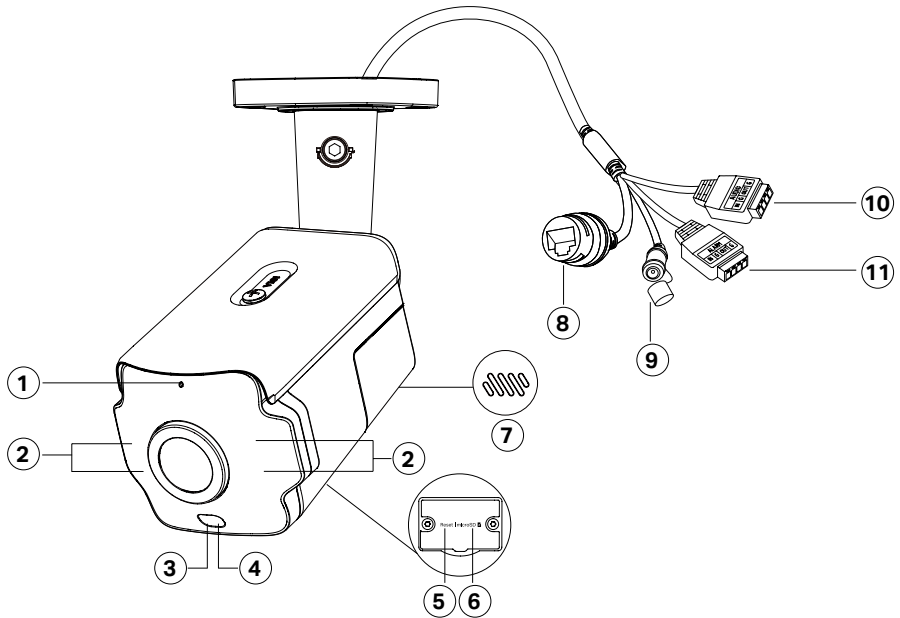


- ① **Built-in Microphone** ② **IR LED × 2** ③ **White LED × 2** ④ **Status LED**
- ⑤ **Reset:** Unfasten the two fixed screws to remove the cover. Press for 5 seconds to reset the camera to factory settings.
- ⑥ **microSD Card Slot:** Unfasten the two fixed screws to remove the cover. Insert a microSD card for local storage. Initialize the SD card via VIGI app or other management tools before recording videos.
- ⑦ **Nano SIM Card Slot:** Unfasten the two fixed screws to remove the cover. Insert a nano SIM card for 4G network.
- ⑧ **RJ45 Network Interface**
- ⑨ **Power Supply Interface**

**Status LED Explanation**

Status	Description
Solid red	Starting up
Blink red and green	Connecting to network, mobile data used up or 4G network signal unstable
Blink green	SIM card not detected
Solid green	Connected to network, or Ethernet cable plugged in (for wired connection)
Blink red	Mobile data disabled, or Ethernet cable unplugged (for wired connection)
Blink red quickly	Camera resetting
Blink green quickly	Camera updating

▪ **InSight S385PI**



① **Built-in Microphone**

② **IR LED × 4**

③ **Red LED**

④ **Blue LED**

⑤ **Reset:** Unfasten the two fixed screws to remove the cover. Press for 5 seconds to reset the camera to factory settings.

⑥ **microSD Card Slot:** Unfasten the two fixed screws to remove the cover. Insert a microSD card for local storage. Initialize the SD card via VIGI app or other management tools before recording videos.

⑦ **Speaker**

⑧ **RJ45 Network Interface** (supports PoE)

⑨ **Power Supply Interface**

⑩ **Audio Interface**

⑪ **Alarm Interface**

# Chapter 2 Installation

---

## 2.1 Safety First

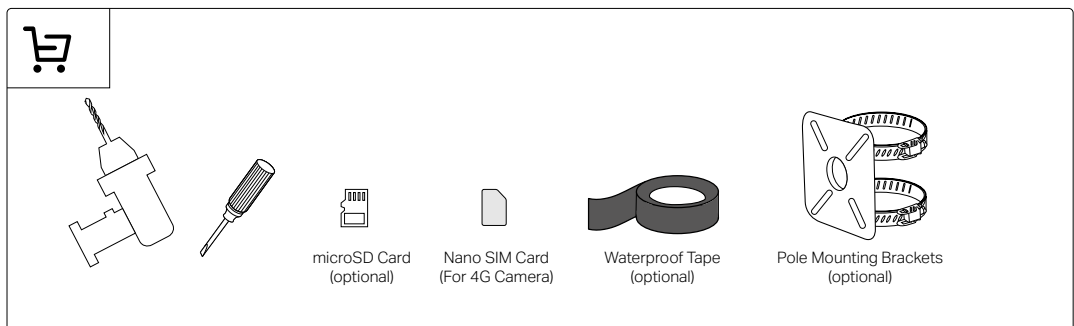
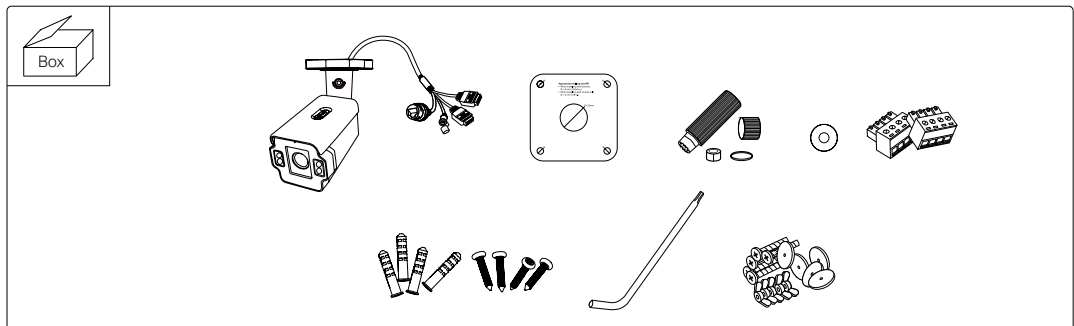
---

- Make sure your power supply matches your camera. The power source should comply with Power Source Class 2 (PS2) or Limited Power Source (LPS) of IEC 62368-1.
- Make sure that the wall is strong enough to withstand 4 times the weight of the camera and mounting bracket.
- Make sure the device is not connected to a power source when mounting and connecting cables.
- If you are uncertain or uncomfortable performing the installation, consult a qualified electrician.

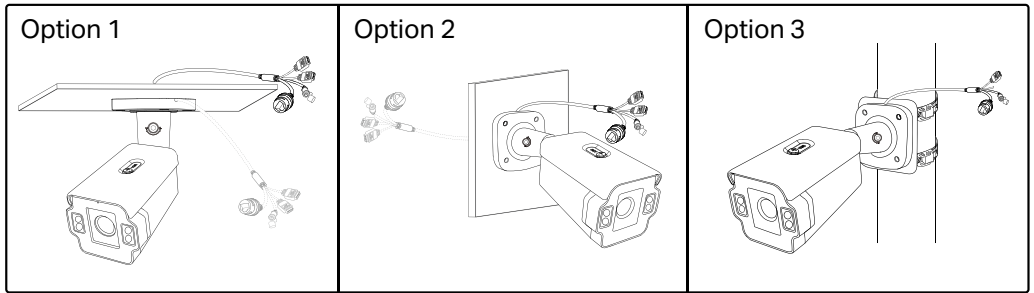
## 2.2 Mount the Camera

---

### 1. Get ready

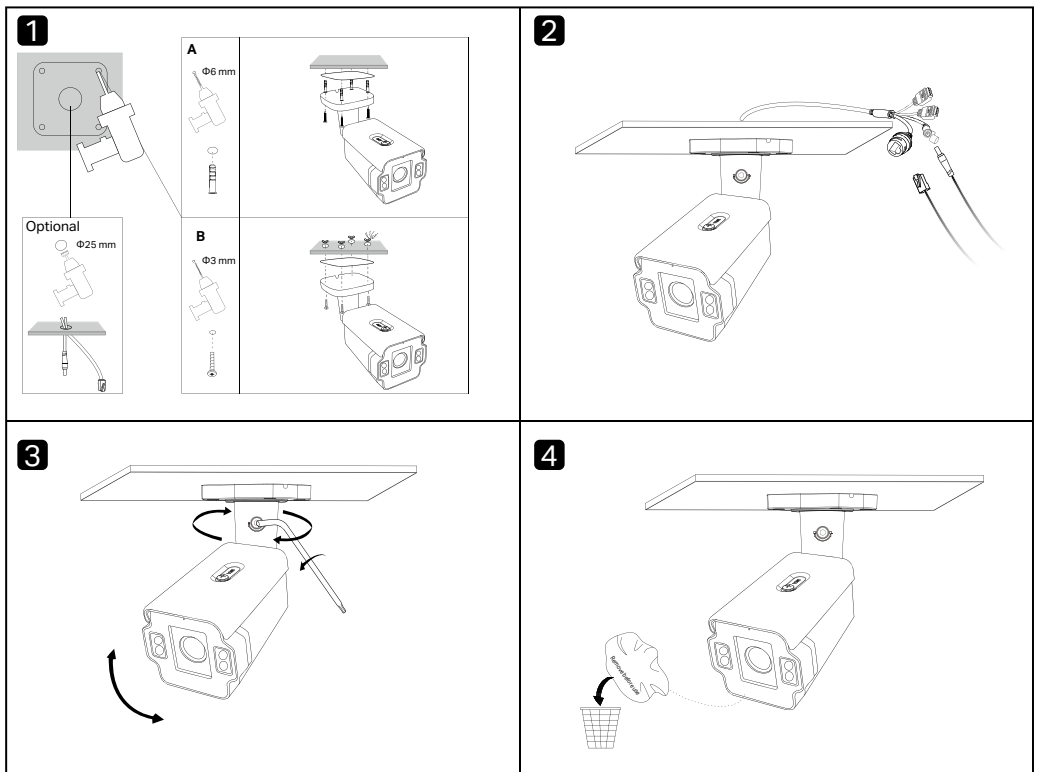


## 2. Choose the mounting method.

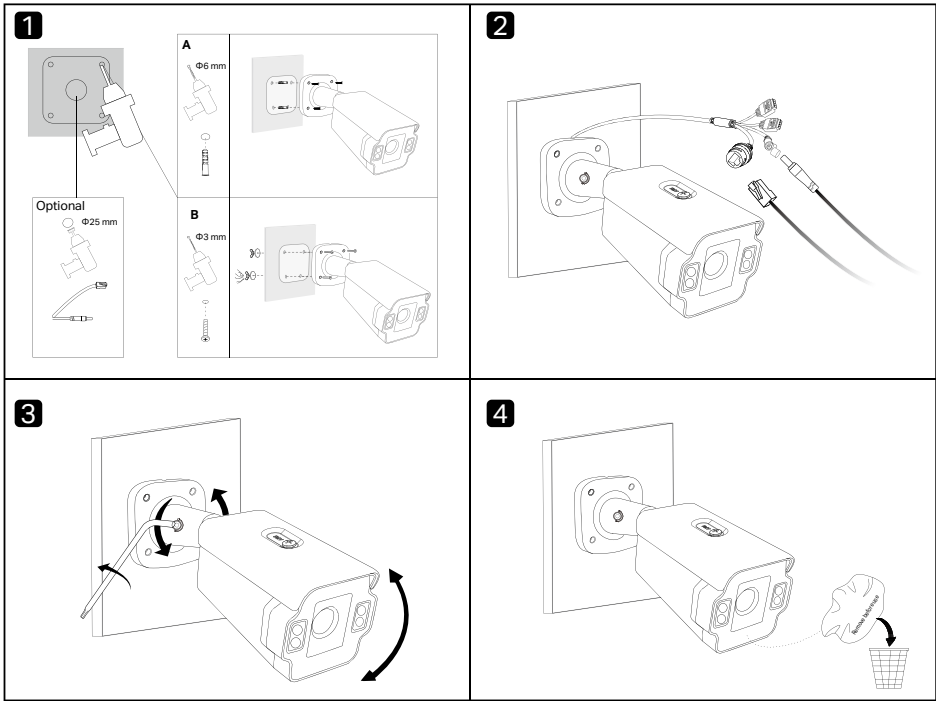


## 3. Mount the camera according to your desired mounting method.

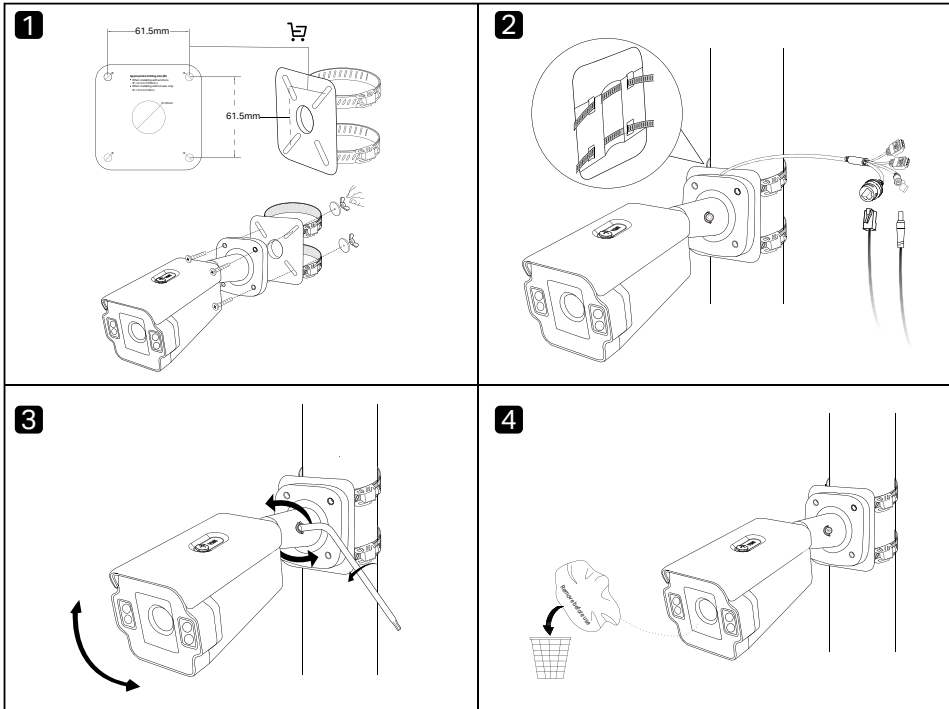
### ▪ Option 1 Ceiling Mounting



### ▪ Option 2 Wall Mounting



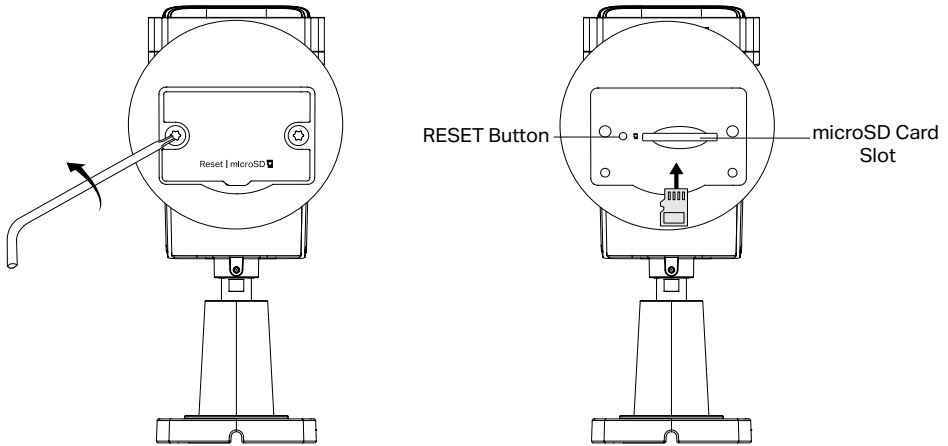
▪ **Option 3 Pole Mounting**



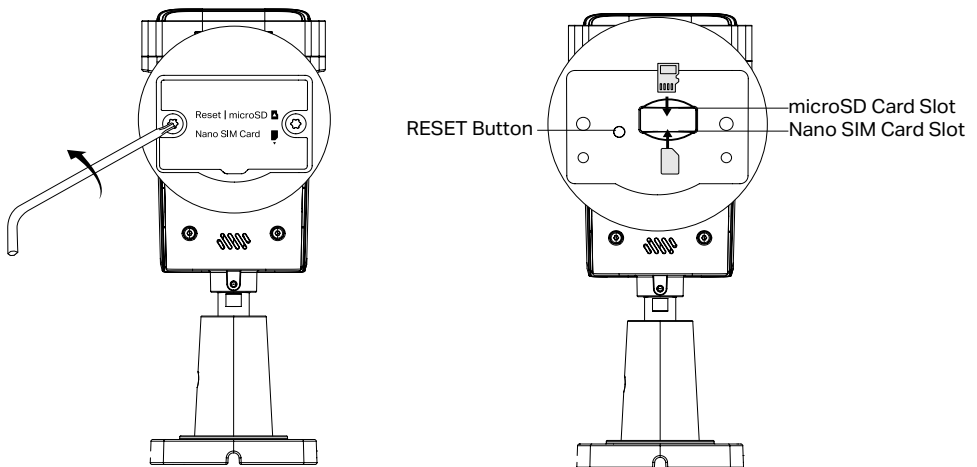


## 2.3 Install microSD Card (Optional)

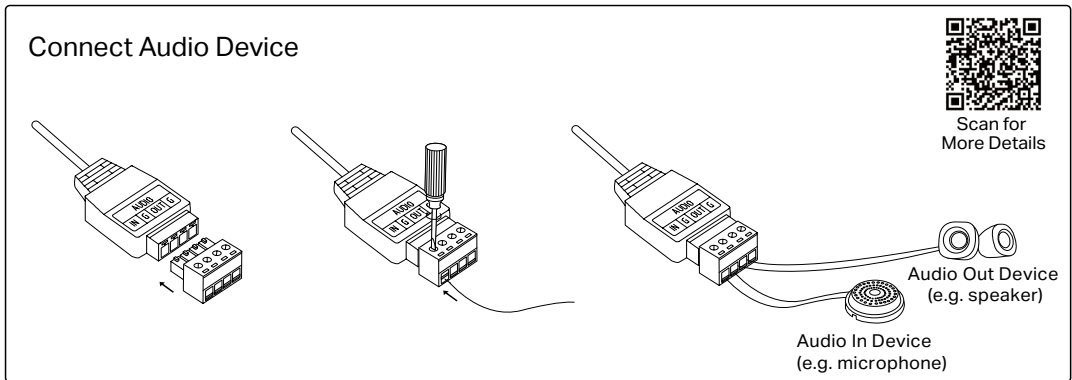
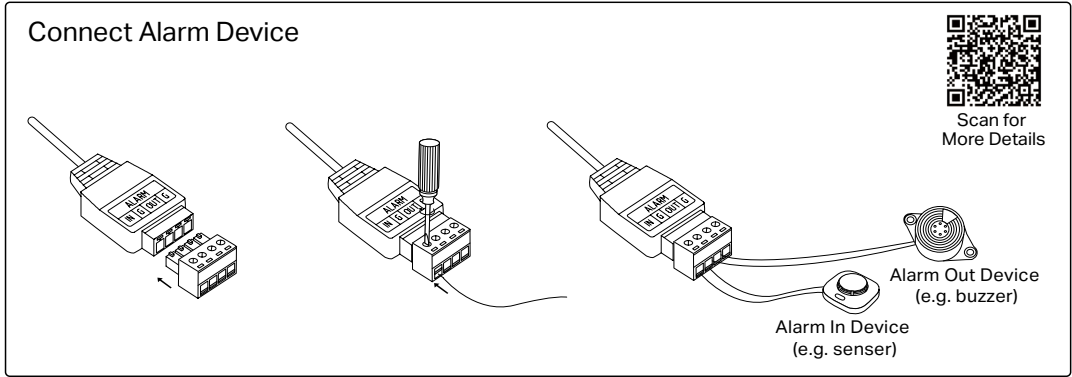
**A**



**B (For 4G Camera)**

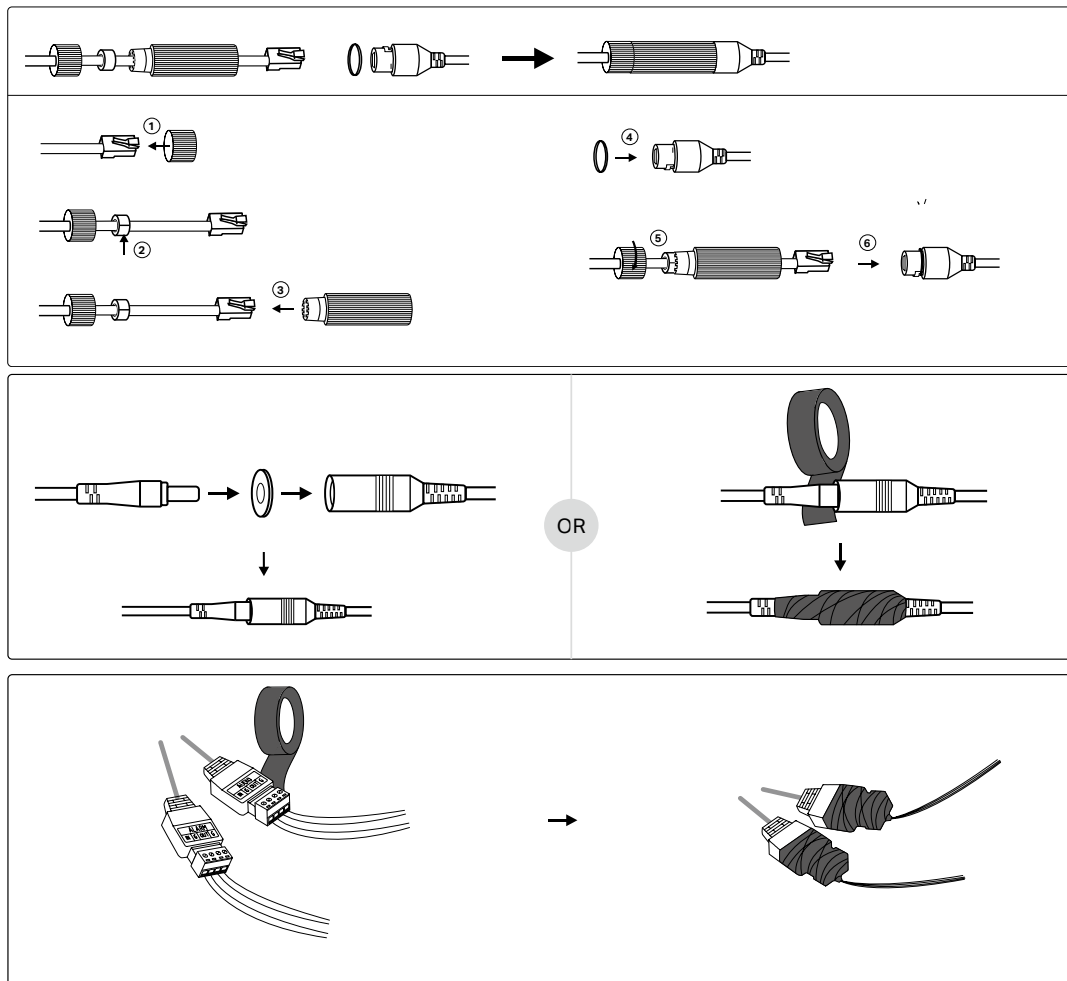


## 2.4 Connect Alarm/Audio Device (Optional)



**Note:** It is recommended to waterproof the alarm/audio interface even if no alarm/audio equipment is connected.

## 2.5 Waterproof (Optional)



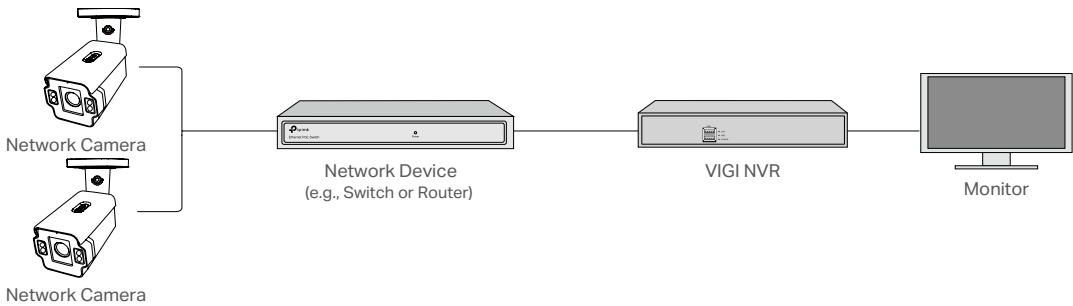
## Chapter 3 Configuration

---

### 3.1 For Wired Camera

---

Here is a typical network topology. You can add and manage your devices via any of the methods.



#### • Via NVR

The camera works with an NVR for easier batch access and management. Here we use a VIGI NVR as an example.

1. Connect your cameras to the same network as your NVR.
2. Power on your cameras with the PoE power supply or an external power supply.
3. Right click on the Live View screen on the monitor, and click Add Camera.
4. Select your camera and click + to add your camera directly. If you have disabled Plug and Play on your NVR, create a password or use a preset password for your camera.

#### **Note:**

If you are using your cameras with other NVR brands, follow the steps below.

1. Power on your cameras and connect them to the network.
2. Activate the cameras using the TP-Link VIGI app or web management page.
3. Refer to the NVR's User Manual to add cameras.

#### • Via VIGI App

You can remotely view live video, manage device, and get instant alerts via VIGI app.

1. Download and install the latest TP-Link VIGI app.



or



2. Open the app and log in with your TP-Link ID. If you don't have an account, sign up first.
3. Tap the + button on the top right and follow the app instructions to add your NVR.

#### · **Via Web**

You can view live video and modify camera settings via a web browser.

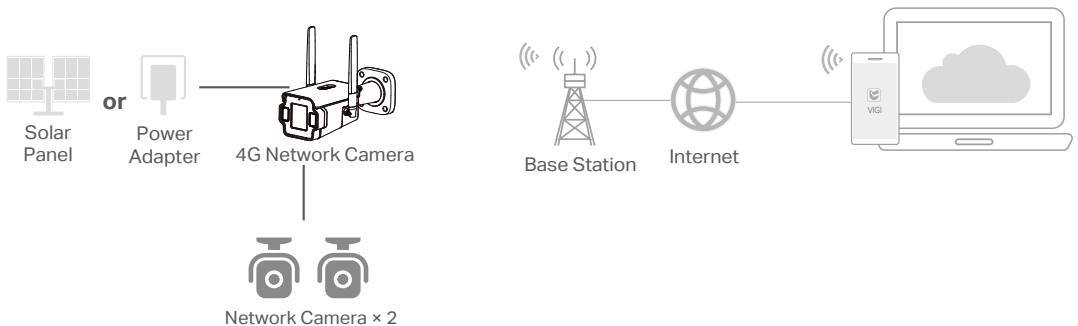
1. Find the camera's IP address on your router's client page.
2. On your local computer, open a web browser and enter `https://camera's IP address` (`https://192.168.0.60` by default).
3. Select your Country/Region and Time Zone.
4. Set a password to activate the camera.

### **3.2 For 4G Camera**

---

Here is a typical network topology. You can add and manage your devices via any of the methods.

**Note:** When using InSight S345-4G to provide network connections to two cameras simultaneously, ensure that its uplink bandwidth is at least 22 Mbps.



## · **Via VIGI App**

1. Download and install the latest TP-Link VIGI app.



or



2. Insert a Nano SIM card into the SIM card slot.
3. Connect the camera to the power socket via the provided power adapter or the solar panel, and wait until the LED is solid green.
4. Open the app and log in with your TP-Link ID. If you don't have an account, sign up first.
5. Tap the + button on the top right and follow the app instructions to add your NVR.

### **Note:**

1. It is recommended that you insert a micro SD card for local storage. And initialize SD card via VIGI app or other management tools before recording videos.
2. For more detailed instructions, refer to the user guides at <https://www.tp-link.com/support/>

## · **Via Web (for Wired Connection)**

If you connect your camera to the network via an Ethernet cable, you can also access and manage your cameras via a web browser.

1. Find the camera's IP address on your router's client page.
2. On your local computer, open a web browser and enter `https://camera's IP address` (`https://192.168.0.60` by default).
3. Select your Country/Region and Time Zone.
4. Set a password to activate the camera.

## · **Via NVR (for Wired Connection)**

If you connect your camera to the network via an Ethernet cable, you can also access and manage your cameras via NVR. Before you start, make sure the NVR is working properly.

1. Right click on the Live View screen and click Add Camera.

2. Select your camera and click + to add your camera directly. If you have disabled Plug and Play on your NVR, create a password or use a preset password for your camera.

**Note:**

If you are using your cameras with other NVR brands, refer to the NVR's User Manual to add cameras.

## Appendix FAQ

---

### Q1. What can I do if no cameras are discovered?

- Refresh to discover your camera again.
- Make sure the camera is powered on.
- Make sure your camera and NVR/computer are in the same subnet. If not, use the VIGI Security Manager to set camera's network parameters.
- Try to add your camera manually.
- For other NVR brands, make sure you have activated the camera by setting a password via the TP-Link VIGI app or web management page.

### Q2. What should I do if I forgot the password of the camera?

- You can check the password of the camera via VIGI NVR, or its web management page. For more details, refer to the corresponding user guides.
- You can reset the camera and activate it again. During the activation process, you can set a new password.

### Q3. What should I do if the SD card is not working properly?

- Make sure you are using a microSD card.
- Unplug the SD card and insert it again. Make sure you have inserted the SD card correctly.
- It's recommended to use a Class 10 microSD card or higher, with storage from 8 GB to 512 GB.
- Make sure you have initialized the microSD card via the TP-Link VIGI app or web management page.
- If the problem still persists, contact our technical support.

If you have more questions, please visit <https://www.tp-link.com/support/faq/2850/>.