

## Double Arm Flat Screen Wall Mount with Tilt and Swivel

For more information please visit [www.btechavmounts.com/BT7535](http://www.btechavmounts.com/BT7535)

BT7535

Registered Design Number: 001713280-0015

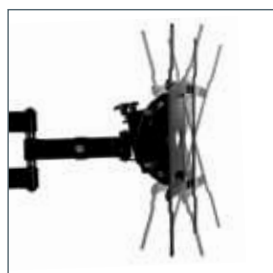


### BT7535

#### Double Arm Flat Screen Wall Mount with Tilt and Swivel

Designed for large screens  
up to 50" (127cm) / 40kg (88lbs)

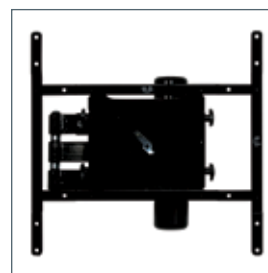
- Full motion mount - ideal for corner mounting
- Fits screens with VESA® mounting patterns: 75 x 75mm, 100 x 100mm, 200 x 100mm, 200 x 200mm, 200 x 300mm, 300 x 200mm, 300 x 300mm, 400 x 200mm, 400 x 300mm and 400 x 400mm
- Easy tilt adjustment +/-15°
- Features three swivel points: 180° at wall, 360° at central pivot and 240° at interface
- **CLIPLOGIC™** cable management included
- Security locking screws & Allen key provided for secure installation
- Simple 'hook-on' installation with all mounting hardware included
- Available in Piano Black and Silver



Easy adjustment of tilt



CLIPLOGIC™ cable management



Space saving design - folds flat to the wall



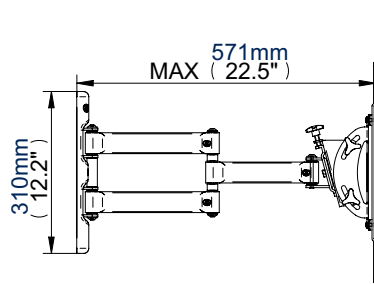
Security locking screws provided

### Double Arm Flat Screen Wall Mount with Tilt and Swivel

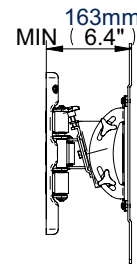
For more information please visit [www.btechavmounts.com/BT7535](http://www.btechavmounts.com/BT7535)

**BT7535**

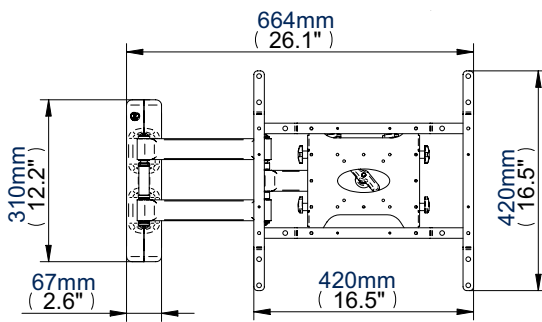
Registered Design Number: 001713280-0015



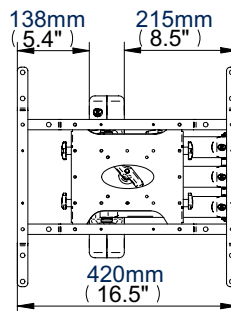
Side View - Maximum Extension



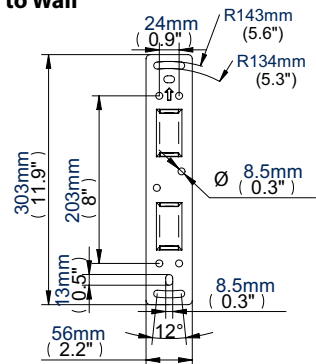
Side View - Flat to Wall



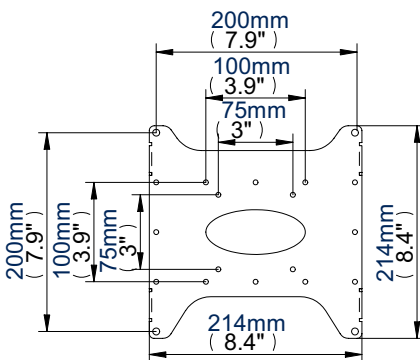
Front View - Maximum Extension



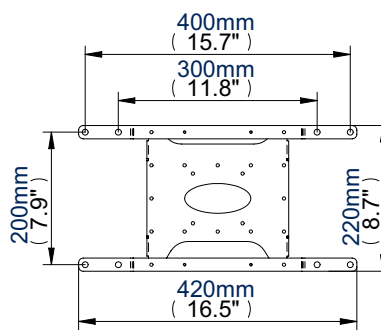
Front View - Flat to Wall



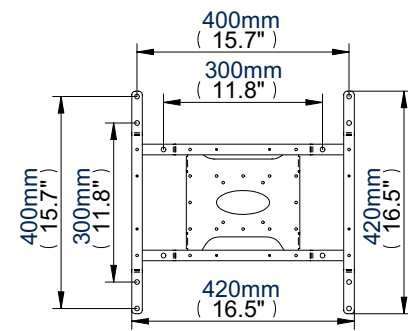
Wall Plate



Interface Plate



400 x 200 Interface



400 x 400 Interface

Colour:	Order Ref:	EAN Code:	Master Carton Qty:	Inner Carton Qty:	Master Carton Weight:	Master Carton Cube:
Piano Black	BT7535/PB	5019318753152	2	N/A	13.81kg (30.38lbs)	0.043cbm (1.52cuft)
Silver	BT7535/S	5019318753169	2	N/A	13.81kg (30.38lbs)	0.043cbm (1.52cuft)

**This information is intended as a guide only and reflects the current specification at the time of print. B-Tech accepts no liability for the accuracy of the information contained in this document.**