

FOR USE
WITH Ø50MM
POLES

BT7551

FLAT SCREEN CEILING / DESK MOUNT FOR Ø50MM POLES

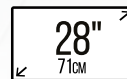
Designed to fit onto B-Tech's System 2 Ø50mm poles, the BT7551 is a flat screen mount which can be used to mount screens up to 23kg from the ceiling, floor, or to a desktop. With easy tool-less adjustment of tilt, swivel and screen rotation, this mount is ideal for landscape or portrait screen mounting and makes it quick and simple to switch between the two. The BT7551 can also be ordered as part of a complete mounting solution, with a choice of Black or Chrome poles and a ceiling / floor mount (please see the BT7553 for more information).

SPECIFICATION

Recommended screen size	up to 28"
Max load	23kg
VESA® compatibility	75x75 & 100x100
Tilt	+90° / -15°
Swivel	360°
Screen rotation	360°

FEATURES

- Mounts flat screens to Ø50mm poles
- Easy tool-less tilt, swivel and screen rotation mechanism
- Mounts screens from the ceiling, floor or to a desktop
- Integrated cable management through the top or side of the mount
- Included grub screws allow micro-adjustment of pole angle
- Quick and easy 'hook-on' screen installation



Suitable for use with B-Tech's range of System 2 poles and ceiling mounts



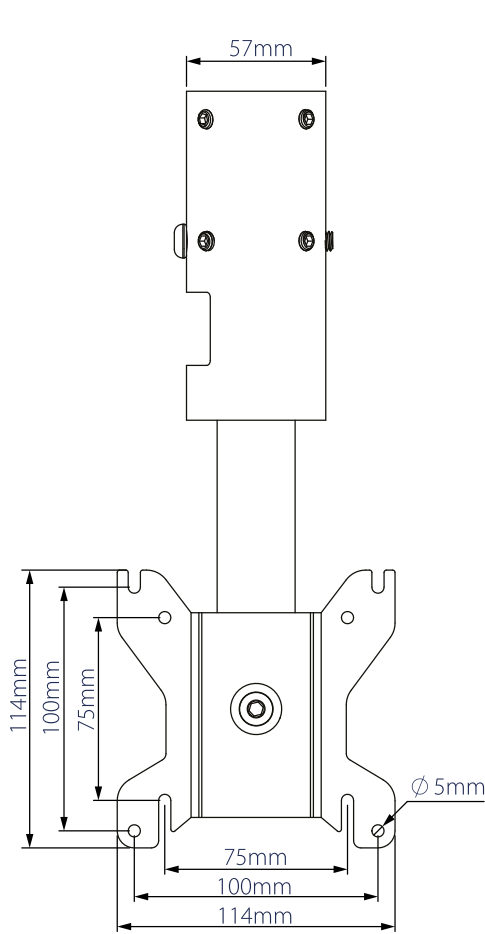
Integrated cable management for a neat and tidy installation



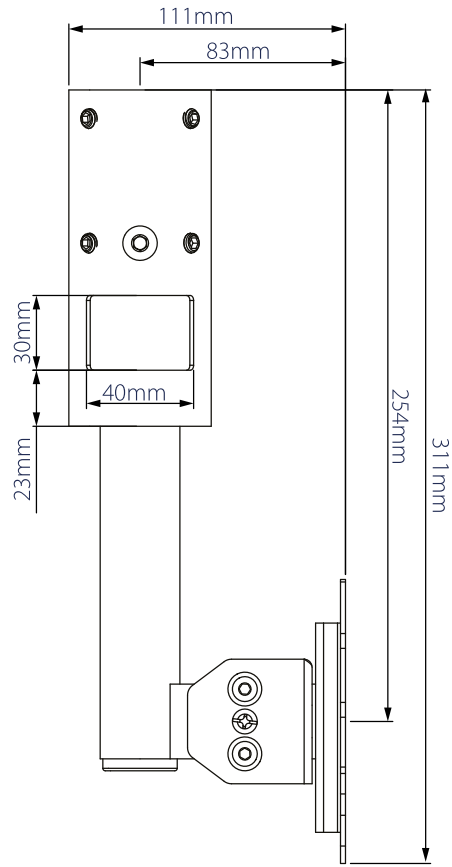
Easy tool-less adjustment of tilt, swivel and screen rotation



Quick and easy 'hook-on' installation



FRONT VIEW

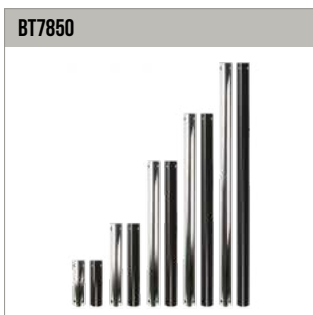


SIDE VIEW

PACKING INFORMATION

COLOUR:	ORDER REF:	EAN CODE:	MASTER CARTON QTY:	INNER CARTON QTY:	MASTER CARTON WEIGHT:	MASTER CARTON CUBE:
Black	BT7551/B	5019318759048	1	0	1.14kg	0.056cbm

ACCESSORIES AND RELATED PRODUCTS FOR USE WITH BT7551



BT7850
Ø50mm Poles available in different lengths up to 3m



BT7822
Ceiling / Floor Mount securely fixes Ø50mm poles to the ceiling or floor



BT7553
Flat Screen Ceiling / Desk Mount includes all components needed to create a complete mounting solution



BT7851
Adjustable Drop Ceiling Mount for easy positioning of mounted screens

© 2016 B-Tech Av Mounts. All rights reserved.
The information in this specification is subject to change without notice. B-Tech Av Mounts and B-Tech logo are registered trademarks of B-Tech International Ltd.
We warrant the goods to be free from defects in materials and workmanship for a period of 12 months from the date of purchase.
B-Tech Av Mounts is not liable for loss or damage caused by improper or negligent installation, use, or maintenance. Any reproduction or transmission or replication of any part of this specification is strictly prohibited unless prior written permission has been granted by B-Tech International Ltd. (BTL).

SS-BT7551-V2-120819