



**POLE  
MOUNT TO  
WALLS**

# BT7831

## WALL MOUNTING BRACKET

### FOR Ø50MM POLES



Designed to mount Ø50mm poles onto walls, the BT7831 is ideal for installing flat screens and other AV equipment at locations where it is not possible to fix to the floor or ceiling (or both) or when there is a large section of wall behind the installation which is not strong enough to fix to.

#### SPECIFICATION

Max Load 150kg\*

Use 2x BT7831 for a wall mounted pole installation

Use 1x BT7831 with a B-Tech ceiling / floor mount for a ceiling-to-wall or floor-to-wall installation

Distance from wall 145mm 113mm to centre of pole

Colour Black

\*Max load can be increased when used as part of a floor-to-ceiling installation

#### FEATURES

- Allows Ø50mm poles to be mounted vertically on to walls
- Ideal for use with B-Tech ceiling / floor mounts to create ceiling-to-wall or floor-to-wall installations
- Heavy duty steel capable of supporting substantial loads
- Supplied with safety bolt for secure installation
- All mounting hardware included



Compatible with B-Tech Ø50mm poles



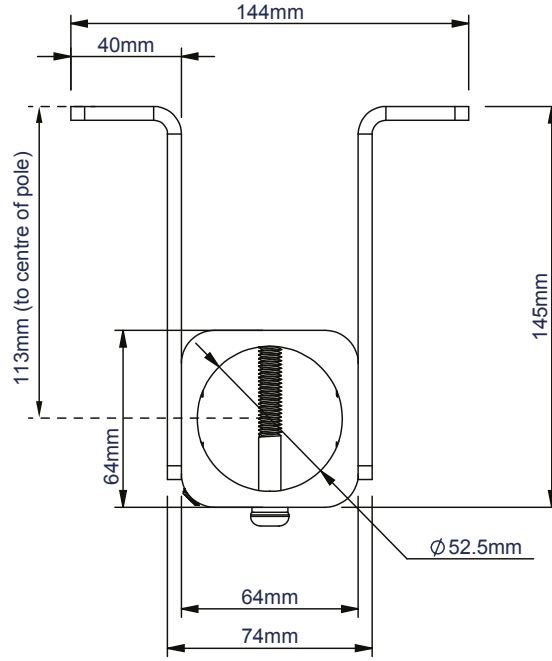
Includes safety bolt and grub screws for extra safety



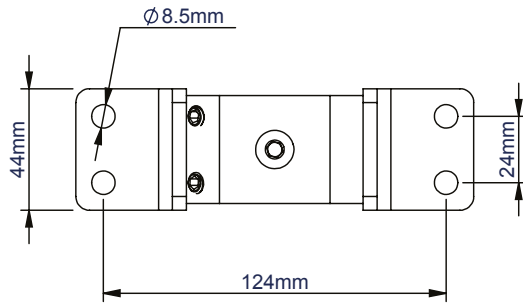
Pole mount screens to the wall



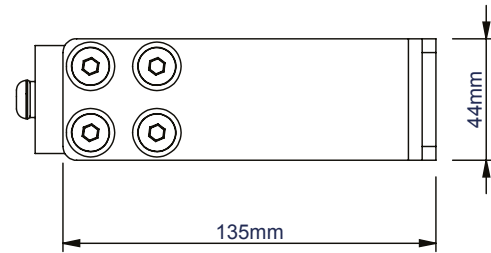
Ideal for creating multi-screen pole mounted installations - such as video walls



TOP VIEW



BACK VIEW



SIDE VIEW

**PACKING INFORMATION**

COLOUR:	ORDER REF:	EAN CODE:	MASTER CARTON QTY:	INNER CARTON QTY:	MASTER CARTON WEIGHT:	MASTER CARTON CUBE:
Black	BT7831/B	5019318759673	1	0	0.86kg	0.005cbm

**ACCESSORIES AND RELATED PRODUCTS FOR USE WITH BT7831**

**BT7850**



50mm diameter poles available in different lengths up to 3m

**BT7841**



50mm Accessory Collar for fixing mounts & accessories to Ø50mm poles

**BT7807**



Heavy Duty Twin Floor / Ceiling Mount perfect for use with double poles

**BT7056**



Floor Fixing Kit for fixing poles to the floor in floor-to-wall installations

© 2016 B-Tech Professional Limited. All rights reserved. The information is specific and not reflective of current technical specifications at the time of print. We reserve the right to change the technical or physical specifications without prior notice. B-Tech Professional and B-Tech logo are registered trademarks of B-Tech International Ltd. B-Tech accepts no liability for loss or damage caused by improper or negligent installation or use of the product. Any reproduction or transmission or replication of any part of this specification is strictly prohibited unless prior written permission has been granted by B-Tech International Ltd. (BTL)

SS-BT7831-V2-010819