



INCREMENTED  
 CEILING DROP

# BT7851

## ADJUSTABLE DROP CEILING MOUNT

### FOR Ø50MM POLES

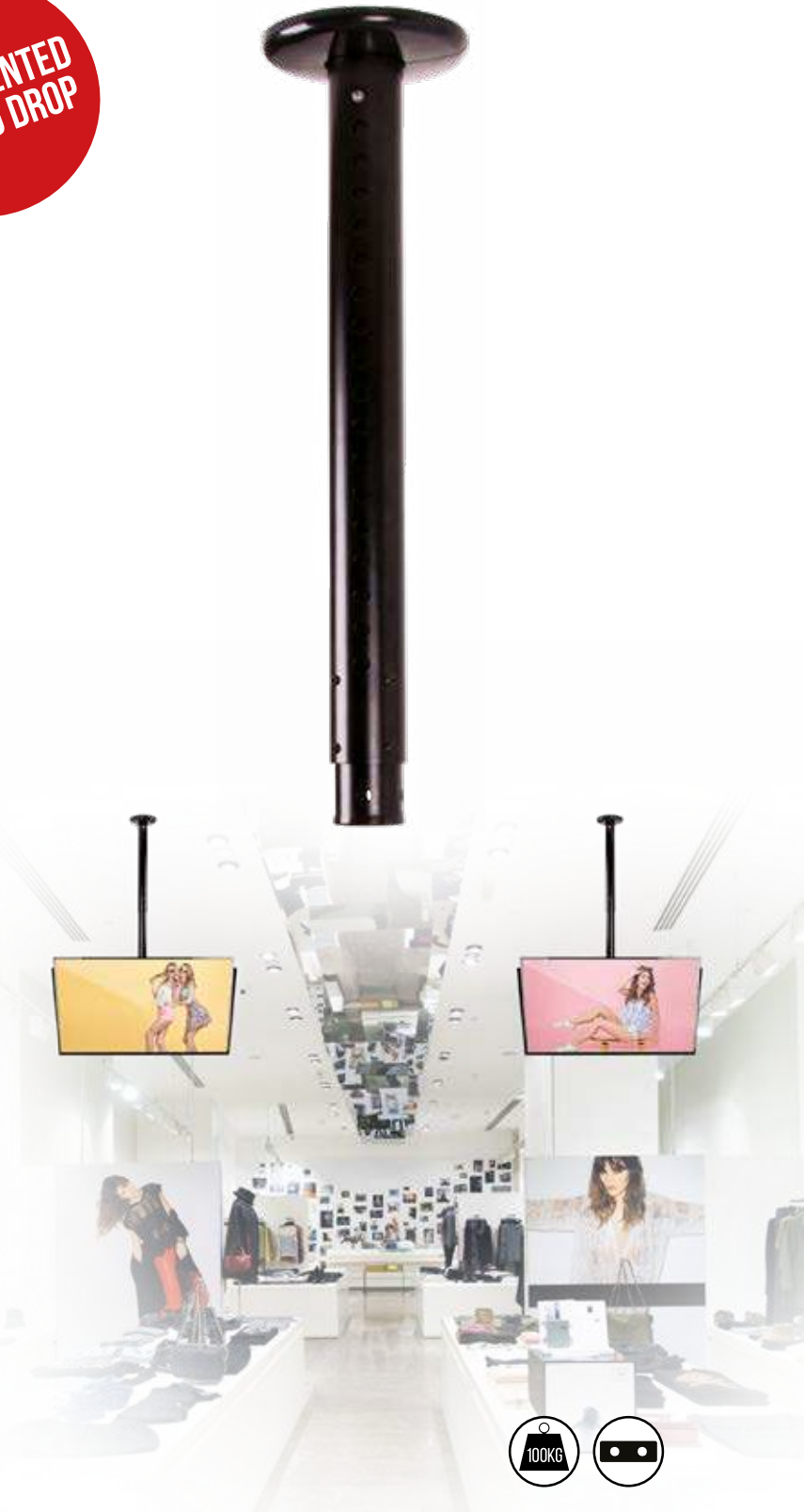
BT7851 Adjustable Drop Ceiling Mount is designed for use with B-Tech's System 2 and System X range of component based products. System 2 projector mounts fit directly to the bottom of the telescopic pole, back-to-back screen installations can be created using System X products, while B-Tech flat screen wall mounts can be attached to the pole using BT7841 accessory collars. System 2 poles can also be added to the ceiling mount for extended length using BT7823 or BT7824 pole joiners. BT7851 features a telescopic pole that allows the installation to be raised or lowered from 600mm - 1000mm in 25mm increments and supports heavy loads of up to 100kg. Cover plates are included to hide ceiling fixings creating a smart and tidy finish.

#### SPECIFICATION

Max load	100kg
Ceiling drop	600 - 1000mm
Ceiling platediameter (without cover plate)	Ø150mm
Colour	Black

#### FEATURES

- Quick adjustable drop in 25mm increments for easy positioning of mounted screens
- Compatible with a variety of existing B-Tech ranges such as System 2 and System X
- Allows back-to-back configurations to be created when combined with BT8390-CFK Collar Fixing Kits or System X components
- Compatible with all B-Tech Ø50mm accessory collars such as the BT7841
- Poles are internally unobstructed for cables to pass through easily
- Features safety bolt holes at top and bottom for secure installation
- Poles can be added using BT7823 & BT7824 Pole Joiners
- Cover plate and cable management included for a neat and tidy installation



Adjustable drop in 25mm increments for the perfect height positioning with a maximum drop of 1m



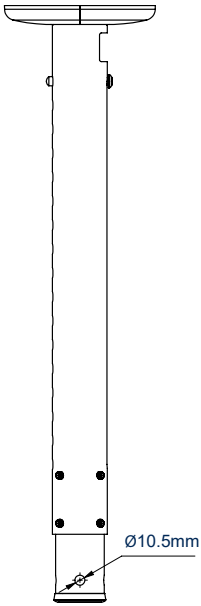
Allows back-to-back configurations to be created when combined with BT8390-CFK Collar Fixing Kits or System X components



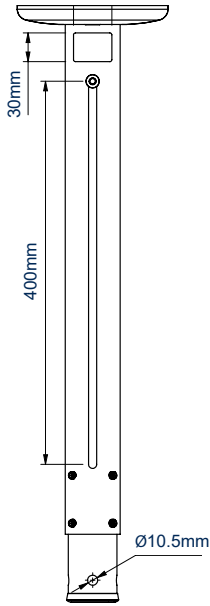
Compatible with a large range of B-Tech mounts, including projector and screen mounts



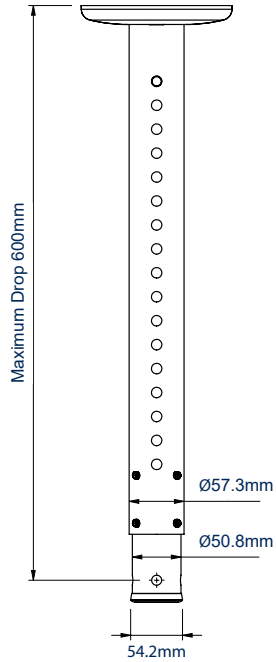
Includes cover plate and cable management for a neat and tidy installation



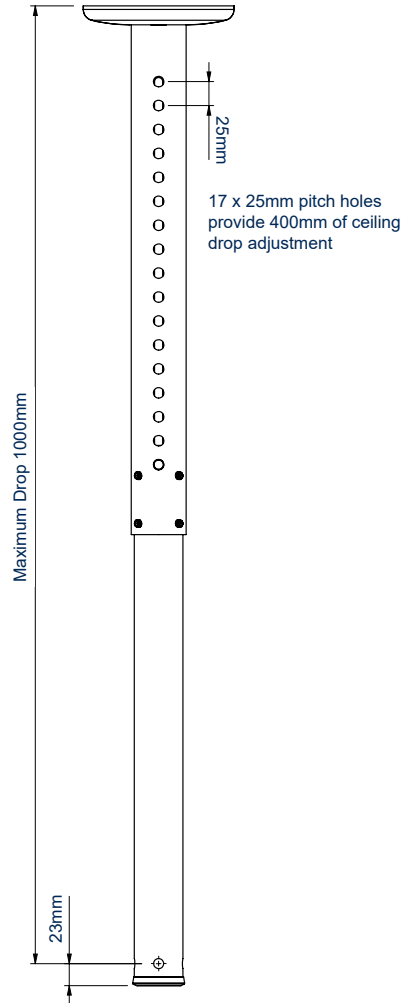
SIDE VIEW



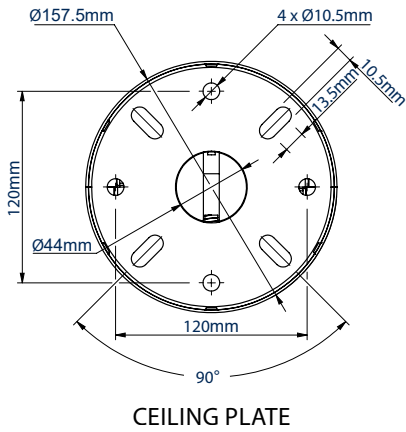
REAR VIEW



FRONT VIEW / MINIMUM EXTENSION



FRONT VIEW / MAXIMUM EXTENSION



CEILING PLATE

PACKING INFORMATION

COLOUR:	ORDER REF:	EAN CODE:	MASTER CARTON QTY:	INNER CARTON QTY:	MASTER CARTON WEIGHT:	MASTER CARTON CUBE:
Black	BT7851/B	5019318078972	4	0	15.3kg	0.092cbm

ORIGINAL DESIGNS BY B-TECH AV MOUNTS - REGISTERED DESIGNS & PATENTS APPLY

ACCESSORIES AND RELATED PRODUCTS



**BT893**  
Heavy Duty Projector Ceiling Mount with Micro-Adjustment



**BT7051**  
Heavy Duty Accessory for use with Ø50mm poles



**BT7841**  
2-Piece Accessory Collar for use with Ø50mm poles



**BT7823 & BT7824**  
Internal & External Pole Joiners can be used with BT7851 to add longer pole lengths

© 2019 B-Tech Av Mounts. All Rights Reserved.  
The information in this specification may be subject to change without notice. This is not intended to be a contract. B-Tech Av Mounts is not responsible for any damage caused by improper installation or use. B-Tech Av Mounts is not responsible for any damage caused by improper installation or use. B-Tech Av Mounts is not responsible for any damage caused by improper installation or use. B-Tech Av Mounts is not responsible for any damage caused by improper installation or use.

SS-V3-BT7851-090819