

POLE
MOUNTED
ACCESSORY

BT7862

TWIN POLE ADAPTER

The BT7862 Twin Pole Adapter is designed to securely mount AV accessories such as BT7880 Apple TV Mount centrally between 2 poles. Ideal for use with a range of B-Tech trolleys and stands. Suitable for both Ø50mm and Ø60mm poles and compatible with single and double attachments collars.

SPECIFICATION

Max load	4kg
Colour	Black
Suitable for	Ø 50mm and Ø 60mm poles

FEATURES

- Designed to mount AV accessories such as shelves centrally between 2 poles
- Ideal for use with B-Tech Floor Stands and Trolleys
- Compatible with single and double attachment collars (sold separately)
- Compatible with Ø50mm (BT7051), Ø60mm collars (BT7060) and single attachment collars BT7260 and BT7052



Designed to mount AV accessories such as shelves centrally between 2 poles



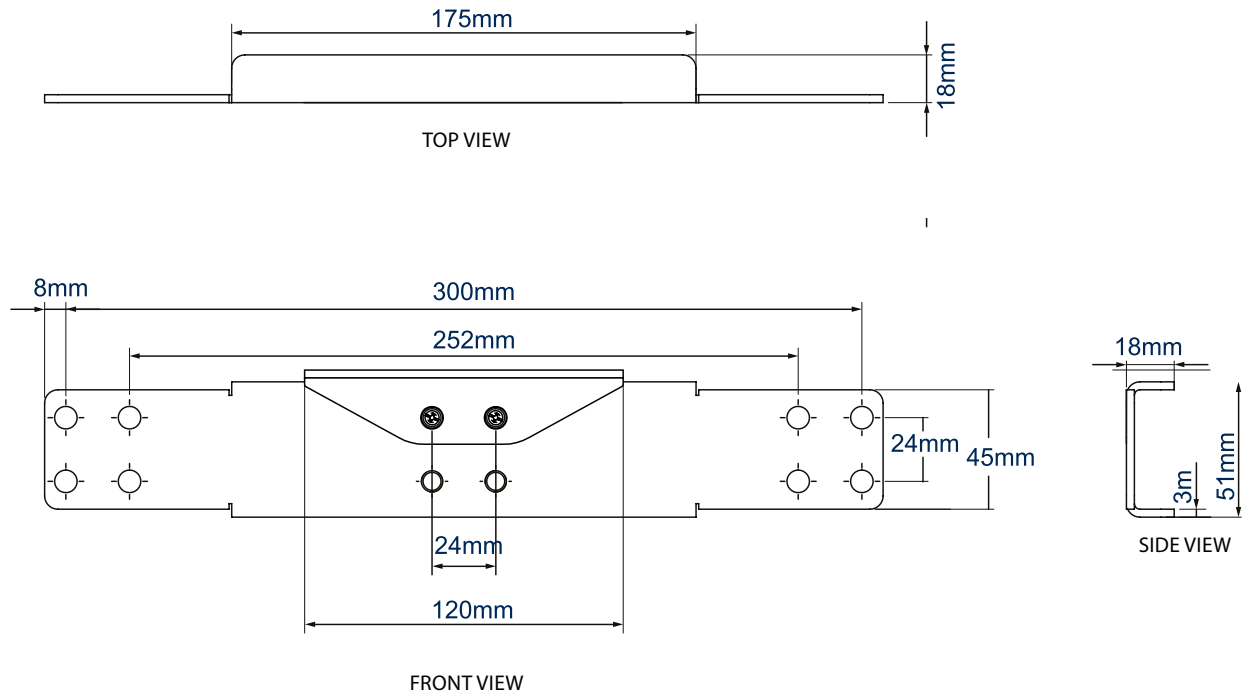
Designed to mount AV accessories such as shelves centrally between 2 poles



Compatible with ø50mm (BT7051) and ø60mm collars (BT7060)



Compatible with single and double attachment collars



PACKING INFORMATION

COLOUR:	ORDER REF:	EAN CODE:	MASTER CARTON QTY:	INNER CARTON QTY:	MASTER CARTON WEIGHT:	MASTER CARTON CUBE:
Black	BT7862/B	5019318759109	1	0	1.6kg	0.0006cbm

ACCESSORIES & RELATED PRODUCTS

<p>BT7052</p>  <p>ø50mm Accessory Collar single attachment</p>	<p>BT7260</p>  <p>ø60mm Accessory Collar single attachment</p>	<p>BT7863</p>  <p>Small AV Accessory Shelf ideal for mounting VC cameras</p>	<p>BT7880</p>  <p>Wall Mount For Apple TV specifically designed for 4th generation model</p>
--	--	---	--

© 2016 B-Tech Professional Limited. All rights reserved.
 The information in this document is for informational purposes only and does not constitute an offer of any product or service. B-Tech Professional Limited and its affiliates are not responsible for any damage or loss of data resulting from the use of this information. B-Tech Professional Limited and its affiliates are not responsible for any damage or loss of data resulting from the use of this information. B-Tech Professional Limited and its affiliates are not responsible for any damage or loss of data resulting from the use of this information.