



**MOUNTS  
 SCREENS  
 UP TO  
 125KG**

# BT8310XL

## HEAVY DUTY POP-OUT FLAT SCREEN WALL MOUNT

Designed to mount extra-large screens, the heavy duty BT8310XL is capable of mounting screens up to 125kg in both landscape and portrait orientations. With reinforced scissor arms, this wall mount is ideal for mounting the largest sized screens and features an easy to use pop-out function and 8-point micro-adjustment, making installation and alignment into a recessed wall both quick and simple. Access to the rear or sides of the screen for maintenance or cabling is possible through the pop-out feature, with an additional locking kit accessory available (separately) to prevent unauthorised access if required.



### SPECIFICATION

Recommended screen size	42" - 120"
Min/ Max Load	70kg to 125kg
VESA® compatibility (as standard)	200 x 100 to 400 x 400
VESA® compatibility (with adaptors)	up to 600 x 400
Flat to wall depth	101mm* (+/-7mm with micro-adjustment)
Popped out depth	293mm* (+/-7mm with micro-adjustment)
Colour	Black

### FEATURES

- Perfect solution for mounting large heavy duty screens into a recessed wall
- Suitable for landscape or portrait screen mounting
- Push to open / push to close system provides quick and easy service access
- Tool-less micro-adjustments at 8 points for seamless display alignment
- Suitable for both wall or pole mounting
- Integrated cable management
- Locking kit (BT8310-LK) to prevent accidental pop-out of mount is also available
- Safety screws help prevent unauthorised removal of screens
- Includes interface Adaptor Arms as standard for use with screens with VESA 600 x 400 fixings (larger Adaptor Arms are also available)
- All mounting hardware included



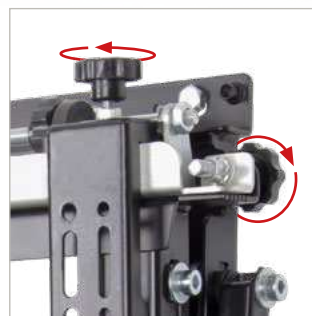
*\*Please note using the included Interface Adaptor Arms to mount VESA 600 x 400 screens will increase the total depth of the product by 6mm, for a total depth of 107mm, or 299mm whilst popped out (+/-7mm micro-adjustment).*



Side arms are reinforced to hold heavy loads up to 125kg



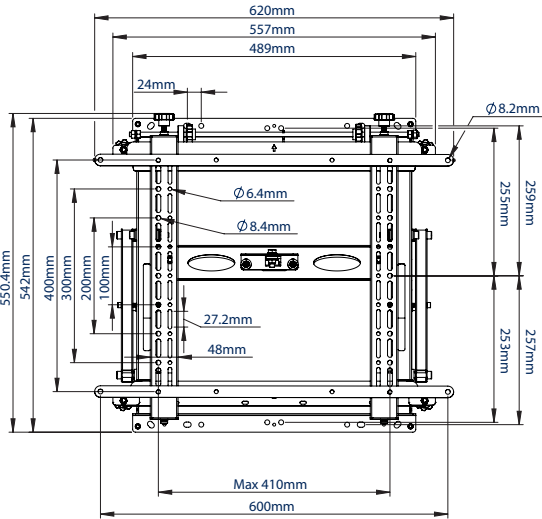
Push to open / push to close system provides quick and easy service access



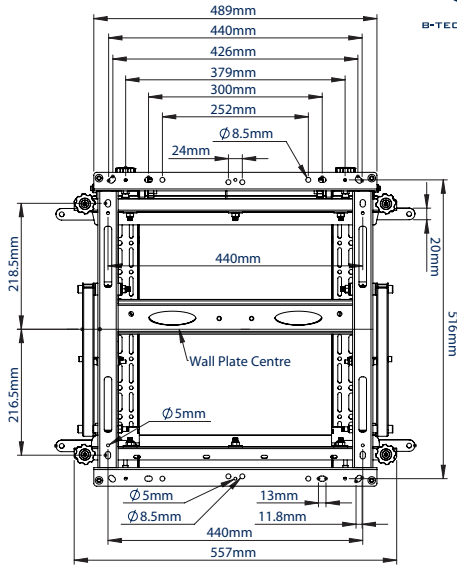
Tool-less micro-adjustment at 8 points for seamless display alignment



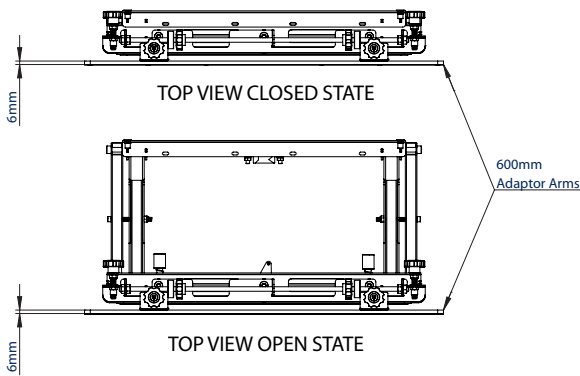
Optional Interface Adaptors for VESA 600 x 400 fixings included as standard



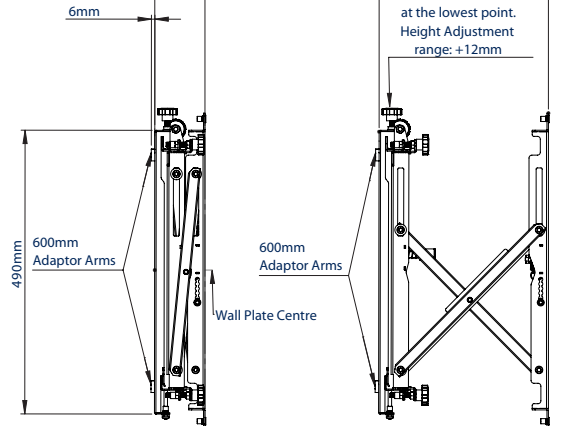
FRONT VIEW



REAR VIEW



101mm\* (Tolerance ±1mm)  
+/-7mm Depth Adjustment



SIDE VIEW CLOSED STATE

SIDE VIEW OPEN STATE

PACKING INFORMATION

COLOUR:	ORDER REF:	EAN CODE:	MASTER CARTON QTY:	INNER CARTON QTY:	MASTER CARTON WEIGHT:	MASTER CARTON CUBE
Black	BT8310XL/B	5019318071300	1	0	16kg	0.054cbm

\*Total depth increased to **107mm** (+/-7mm micro-adjustment) when using VESA 600 x 400 adaptors

\*\*Total depth increased to **299mm** (+/-7mm micro-adjustment) when using VESA 600 x 400 adaptors

RELATED PRODUCTS



**BT9903**  
Heavy Duty Flat Screen Wall Mount  
for screens up to 200kg



**BT8321**  
System X Portrait Signage Mount  
for screens up to 70kg



**BT8310**  
Pop-Out Video Wall Mount for screens  
up to 70kg



**BT8309**  
Pop-Out Flat Screen Wall Mount with  
Micro-Adjustment for screens up to 42"

SS-V2-BT8310XL-010819

© 2018 B-Tech Professional Design & Manufacturing Limited. All rights reserved. This document is the property of B-Tech Professional Design & Manufacturing Limited. The information in this document is for informational purposes only and does not constitute an offer of any product. B-Tech Professional Design & Manufacturing Limited is not responsible for any damage or loss of data caused by improper use of the information provided in this document. B-Tech Professional Design & Manufacturing Limited is not responsible for any damage or loss of data caused by the use of the information provided in this document. B-Tech Professional Design & Manufacturing Limited is not responsible for any damage or loss of data caused by the use of the information provided in this document. B-Tech Professional Design & Manufacturing Limited is not responsible for any damage or loss of data caused by the use of the information provided in this document.