



CREATE
 FREESTANDING
 OR MOBILE
 INSTALLS

BT8380-BASE

SYSTEM X™

FLOOR BASE FOR TROLLEYS AND STANDS



As part of the System X range the BT8380-BASE attaches directly to BT8380 Vertical Support Columns to create a secure foundation for freestanding or mobile screen mounting. The sturdy metal base is supplied with adjustable levelling feet for post-installation levelling, these feet can be removed and replaced with BT8380-CASTORS (4" Locking/Braked Castors) to create mobile mounting solutions. Bases are supplied as individual units, one base must be used per column.

SPECIFICATION

Length	950mm
Width	86mm
Height (with levelling feet)	107mm - 125mm
Colour	Black

FEATURES

- Creates a secure foundation for System X vertical support columns
- Attaches easily to vertical columns using the Zinc-plated support stems
- Each base is supplied with levelling feet
- Can be used with BT8380-CASTORS 4" braked castors (available separately) to create mobile mounting solutions
- For added security, freestanding installs can be secured using BT8380-FBFK floor base fixing kit (available separately)
- Supplied as individual units, one base must be used per column
- High-end aesthetic quality
- All mounting hardware included



Each base is supplied with 2 levelling feet to allow for post installation levelling



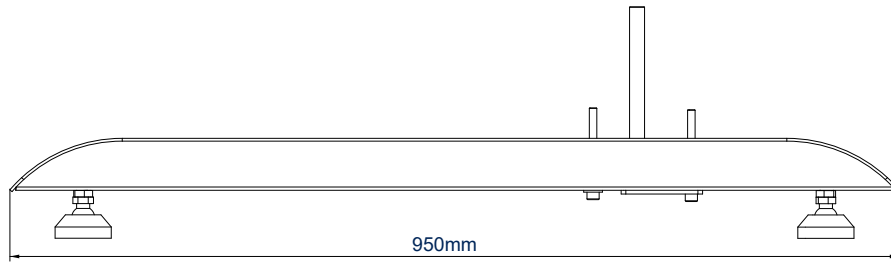
Can be used with BT8380-CASTORS 4" locking / braked castors to create mobile mounting solutions



Attaches easily to vertical columns using the Zinc-plated support stems



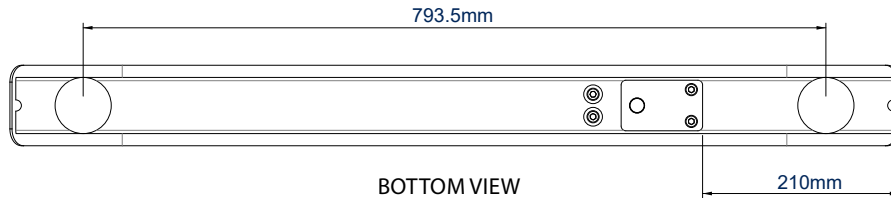
Freestanding installs can be securely bolted to the floor for added security using BT8380-FBFK floor base fixing kit



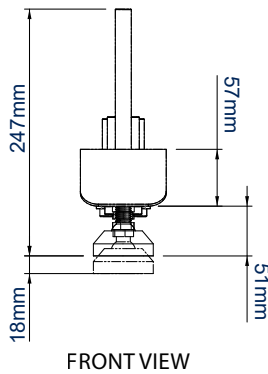
SIDE VIEW



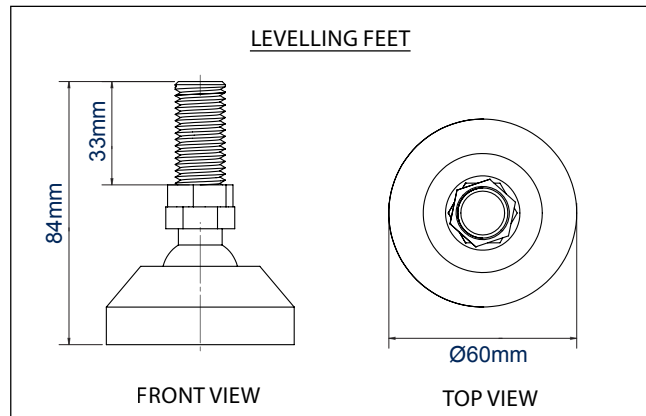
TOP VIEW



BOTTOM VIEW



FRONT VIEW



LEVELLING FEET

FRONT VIEW

TOP VIEW

PACKING INFORMATION

ORIGINAL DESIGNS BY B-TECH AV MOUNTS - REGISTERED DESIGNS & PATENTS APPLY

COLOUR:	ORDER REF:	EAN CODE:	MASTER CARTON QTY:	INNER CARTON QTY:	MASTER CARTON WEIGHT:	MASTER CARTON CUBE:
Black	BT8380-BASE/B	5019318501050	2	0	13.9kg	0.051cbm

ACCESSORIES AND RELATED PRODUCTS

BT8380-CASTORS



4" Non-marking Braked Castors attach easily to BT8380-BASES

BT8380-FBFK



Floor Fixing Kit secures System X freestanding installations to the floor for added security

BT8380-060/180/240



BT8380-BASE attaches directly to Vertical Support Columns to create a foundation for freestanding or mobile screen mounting

BT8380-FFB



Fixed Floor Base provides a close-to-the-wall, bolt down solution that can be used as an alternative to BT8380-BASE

© 2016 B-Tech Av Mounts. All rights reserved. The information in this specification is subject to change without notice. B-Tech Av Mounts and the B-Tech logo are registered trademarks of B-Tech International Design & Manufacturing Ltd. B-Tech Av Mounts is a registered trademark of B-Tech International Design & Manufacturing Ltd. All other trademarks are the property of their respective owners. B-Tech Av Mounts is not responsible for any damage caused by improper or unauthorized use of its products. Any reproduction or modification of any part of this specification is strictly prohibited unless prior written permission has been granted by B-Tech International Design & Manufacturing Ltd. (B-Tech).
 SS-V2-BT8380-BASE-070819