

BT8385-BDB

BOLT DOWN FLOOR BASE

FOR USE WITH BT8385

Designed to securely fix a Mode-AL Vertical Column to the floor, the BT8385-BDB Bolt Down Floor Base attaches directly to a BT8385 Vertical Column to create a fixed position mounting solution with minimal footprint. Using 8mm thick steel, this base is strong enough to support loads of up to 70kg per column and is ideal for installations where floor space is limited, such as retail applications which require screens to be mounted closer to walls or shop windows.

SPECIFICATION

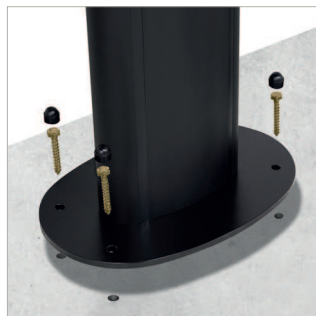
Max load	70kg
Base dimensions	H:8mm x W:310mm x D: 210mm
Colour	Black

FEATURES

- For use with a **BT8385** Vertical Column
- Small footprint, ideal for retail applications where floor space is limited such as shop windows or for close to the wall displays
- Heavy duty steel capable of supporting substantial loads
- High-end aesthetic quality
- Can be used to create large scale videowall installations - ideal for applications such as control rooms
- Integrated cable management allows cables to run through the centre of the base and into the vertical column from under the floor



Attaches directly to the base of a **BT8385** Vertical Column.



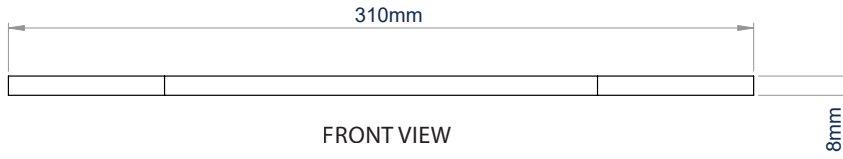
Base plate fixes to the floor for a secure install using suitable fixings (not supplied).



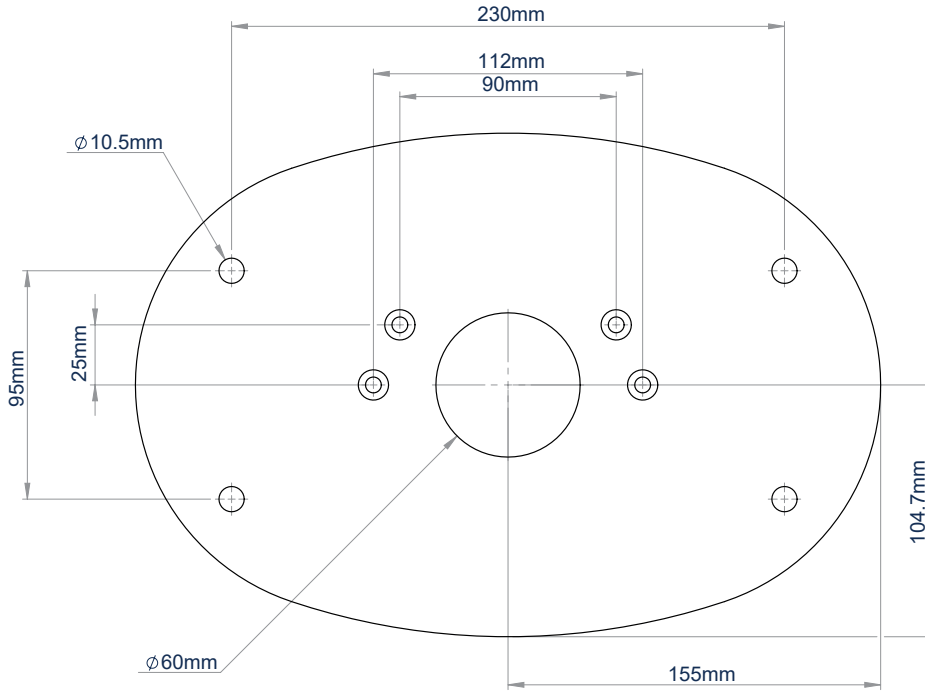
Cables can be run through the centre of the base and into the vertical column from under the floor.



Can be used to create large scale installations - ideal for control rooms.



FRONT VIEW



TOP VIEW



SIDE VIEW

PACKING INFORMATION

COLOUR:	ORDER REF:	EAN CODE:	MASTER CARTON QTY:	MASTER CARTON WEIGHT:	MASTER CARTON CUBE:
Black	BT8385-BDB	5019318302725	1	3kg	0.0015cbm

RELATED PRODUCTS

<p>BT8385</p>	<p>BT8385-FTC</p>	<p>BT8385-RTC</p>	<p>BT8390</p>
----------------------	--------------------------	--------------------------	----------------------

Vertical Columns
Available in silver or black

Floor-to-Ceiling Mounting Kit
For use with a **BT8385** Vertical Column

Rail-to-Column Mounting Bracket
For use with a **BT8385** Vertical Column

System X™ Mounting Rails
Available in silver or black

© 2015 B-Tech Av Mounts. All rights reserved. This information is provided for informational purposes only. It is not intended to be used as a substitute for professional advice. B-Tech Av Mounts is not responsible for any damage or loss of data caused by improper use of its products. Any reproduction or transmission of any part of this specification is strictly prohibited unless prior written permission has been granted by B-Tech Av Mounts Manufacturing Ltd. SS-BT8385-BDB-210421