



INCLUDED
 WITH SYSTEM X
 KITS

BT8390-CMC

SYSTEM X™ CABLE MANAGEMENT CLIP

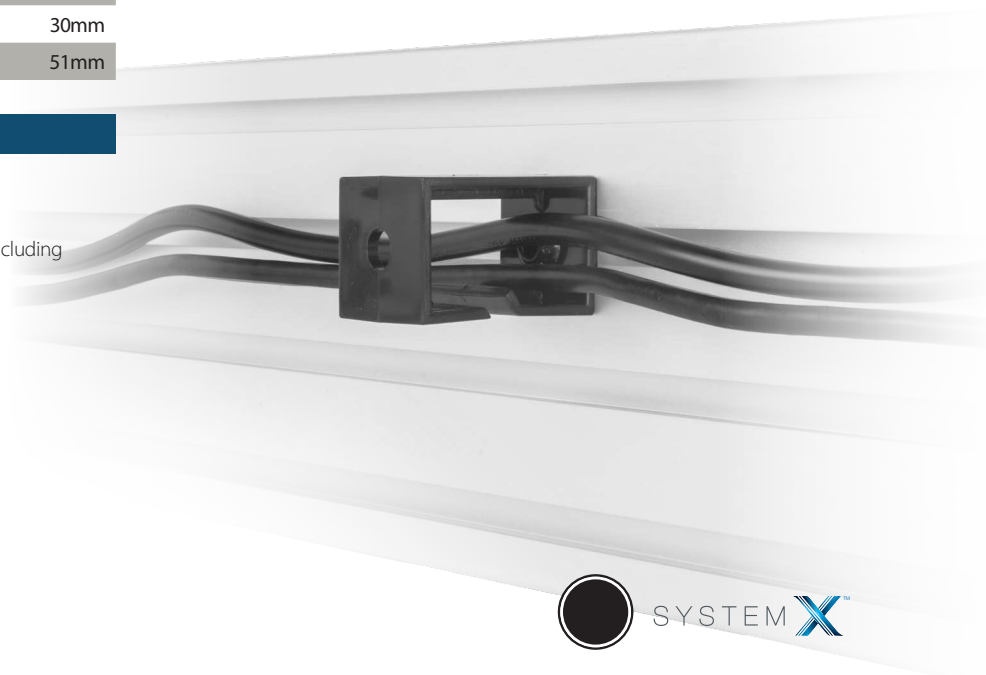
Designed as a reliable and flexible solution to fix cabling discreetly behind System X BT8390 mounting rails. The BT8390-CMC is available in packs of 3 and secured to the rail using an M8 Sliding Nut.

SPECIFICATION

Colour	Black
Number per pack	3
Height	30mm
Width	30mm
Depth	51mm

FEATURES

- Compatible with all System X rails
- Supplied with Sliding Nuts
- Cable management for a neat and tidy installation
- Can be positioned anywhere along the mounting rail, including underneath - (suitable for wall mounted installations)
- Can be retrospectively fitted onto existing installations
- All mounting hardware included



Easy access clip can hold multiple cables, ideal for multi screen installations



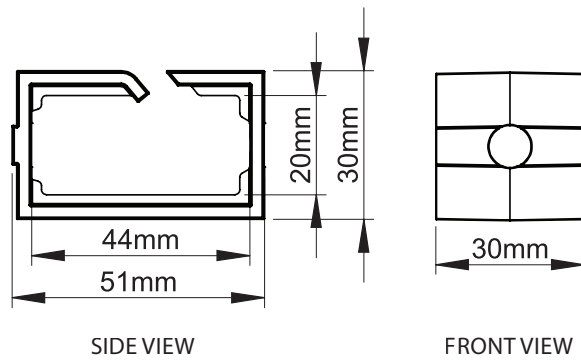
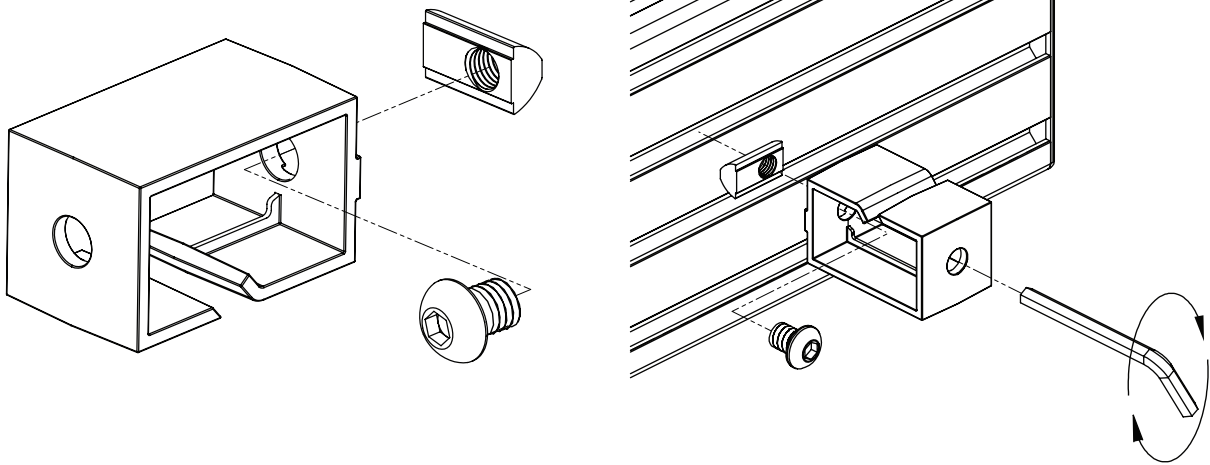
All mounting hardware included



Can be positioned anywhere along the mounting rail, including underneath



System X compatible



PACKING INFORMATION

COLOUR:	ORDER REF:	EAN CODE:
Black	BT8390-CMC	50193118501661

ACCESSORIES AND RELATED PRODUCTS

<p>BT8390</p>	<p>BT8390-AAC</p>	<p>BT8390-WFK4</p>	<p>BT8380-WTB</p>
System X Horizontal Mounting Arm	Angle Adjustment Connector	Wall-To-Wall Rail Mounting Bracket	Wall Tie-back

© 2019 B-Tech Mounts Ltd. All rights reserved. The information in this specification is subject to change without notice. B-Tech Mounts Ltd. is not responsible for any damage caused by improper installation or use of this product. B-Tech Mounts Ltd. is not responsible for any damage caused by improper installation or use of this product. B-Tech Mounts Ltd. is not responsible for any damage caused by improper installation or use of this product.