



**MOUNT
 BT8390
 RAILS BETWEEN
 OPPOSING
 WALLS**

BT8390-WFK4

SYSTEM X™

WALL-TO-WALL RAIL MOUNTING BRACKETS



The BT8390-WFK4 is a bracket designed to fix BT8390 mounting rails between opposing walls, for the installation of menu boards and other multi-screen configurations. The plates fix the ends of the rail to the wall at a 90° angle, and are ideal for installations where the back wall is not present or is unsuitable for mounting.

SPECIFICATION

Compatible interface arms	Any System X arm
Max load when used with rails under 2m	200kg
Max load with rails from 2m up to Max. 4.5m	150kg
Distance from wall to front of rail	35mm
Brackets supplied per pack	4
Standard max distance between walls	2m*

FEATURES

- Designed to allow BT8390 horizontal rails to be mounted between walls
- Ideal for mounting between opposing walls, where the wall behind the rail is not present or is unsuitable for mounting
- 2m rail length can be exceeded with the use of corner supports*
- When creating video walls, bracing the horizontal rails together is recommended, using an additional rail (mounted vertically)*
- 4 mounting plates supplied per kit, 2 plates are used at each end of the rail
- All mounting hardware included

*For larger installs, up to 4.5m corner supports must be used, contact your account manager for further details



Ideal for mounting between opposing walls, the BT8390-WFK4 fits to walls at a 90° angle



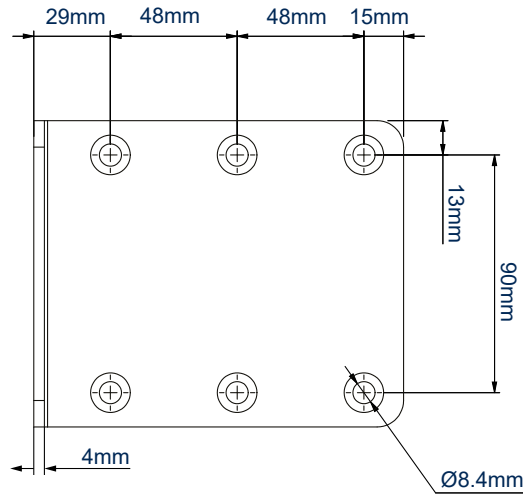
Can be used with multiple mounting rails to create impressive video wall installations



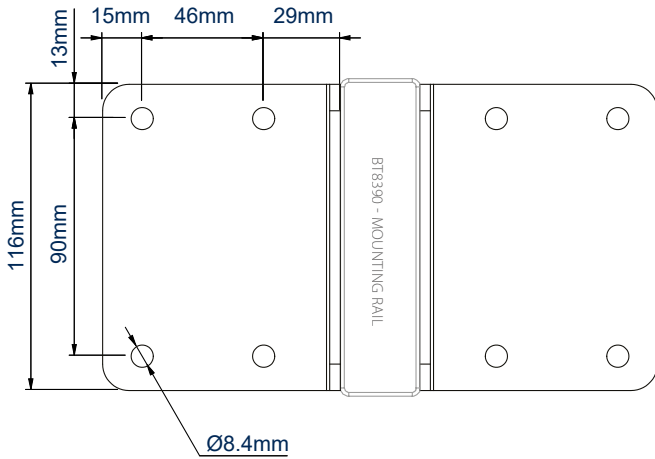
4 mounting plates supplied per kit, 2 plates are used at each end of the rail



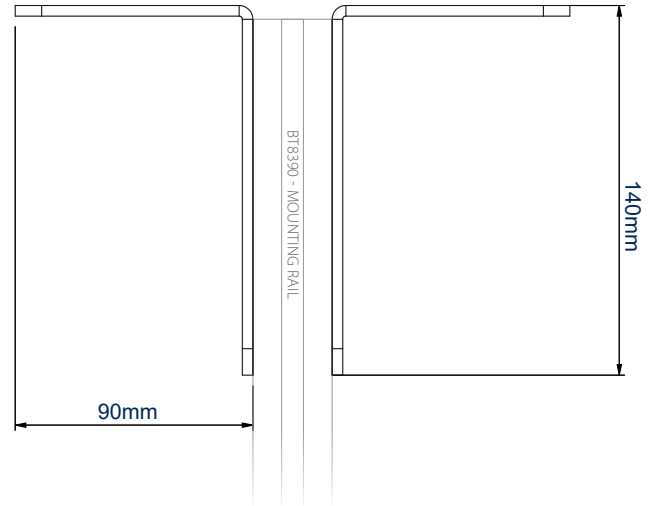
2m rail length can be exceeded with the use of corner supports



FRONT VIEW



SIDE VIEW



TOP VIEW

PACKING INFORMATION

COLOUR:	ORDER REF:	EAN CODE:	MASTER CARTON QTY:	INNER CARTON QTY:	MASTER CARTON WEIGHT:	MASTER CARTON CUBE:
Black	BT8390-WFK4/B	5019318501708	1	4	16.8kg	0.000cbm

ORIGINAL DESIGN BY B-TECH - REGISTERED COMMUNITY DESIGN NO.: 004038040-0042

ACCESSORIES AND RELATED PRODUCTS

BT8390-030/050/070/150/175/200



Mounting Rails can be fixed to columns, walls or poles using System X components

BT8390-VESA200F



VESA 200 Interface Arms are designed to mount small - medium sized screens in a fixed vertical position to mounting rails

BT8390-VESA400T



VESA 400 Interface Arms with Tilt mount medium - large sized screens to mounting rails, with a tilt range of up +20°

BT8390-VESA400MAF



VESA 400 Interface Arms with Micro-Adjustment are designed to mount video wall screens with the ability to perfectly align displays

© 2016 B-Tech Av Mounts. All rights reserved. The information in this specification is subject to change without notice. B-Tech Av Mounts is a registered trademark of B-Tech Av Mounts. All other trademarks are the property of their respective owners. B-Tech Av Mounts is not responsible for any damage or loss of data caused by improper use of the product. Any reproduction or transmission of any part of this specification is strictly prohibited unless prior written permission has been granted by B-Tech Av Mounts. BT8390-WFK4-050819