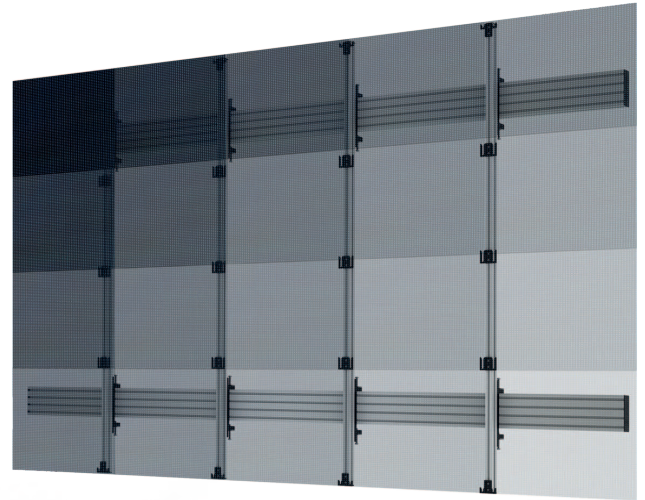




UNIVERSAL
 DESIGN,
 OFF-THE-SHELF
 FROM STOCK

BT9340

UNIVERSAL DIRECT VIEW LED VIDEOWALL MOUNT



The BT9340 is a wall mounted solution designed to assemble LED panel videowalls. As part of B-Tech's System X Range, the BT9340 is part of a universal mounting system which is compatible with various LED panels, for use in several formats; wall mounted, trolley, freestanding and bolt down. An LED configuration tool allows BT9340 requirements to be specified online and features a quote request option which means pricing can be provided quickly, orders placed can then be fulfilled with short lead times thanks to our extensive stock of off-the-shelf B-Tech components.



FEATURES

- Configurable mounting solution available to order to your requirements, from stock - see configurator for info
- Universal design suitable for a variety of LED panels and configurations
- Options for front or rear mounted panels (see below)
- Assembled from off-the-shelf components for fast order fulfilment
- Online configuration tool for quick turnaround of quotes - no more lengthy wait for bespoke pricing from custom manufacturing
- System can be extended to any required width for large installations
- Open frame allows panel access for easy servicing and maintenance
- Pre-assembly of major parts for quick and easy installation
- All mounting hardware included

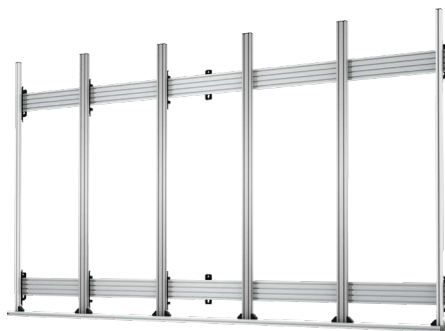
ALTERNATE CONFIGURATIONS



There are actually over 2000 different configurations of BT9340 available! Visit our online configuration tool to specify setups of up to 6x4 with different options such as screen size, orientation and leg height.



Try now at
www.btechavmounts.com/systemx-configurator



BT9340-FM

SHOWN IN A
 5X4 CONFIGURATION

SPECIFICATION

Panel fixing method	Front mounted
Colour	Black or Silver
For indoor use only	



BT9340-RM

SHOWN IN A
 5X4 CONFIGURATION

SPECIFICATION

Panel fixing method	Rear mounted
Colour	Black or Silver
For indoor use only	

- Keyhole mounting for rear access panels allows safe and secure installation of large scale LED videowalls



UNIVERSAL DIRECT VIEW LED VIDEOWALL MOUNT



FREESTANDING UNIVERSAL DIRECT VIEW LED VIDEOWALL STAND



MOBILE UNIVERSAL DIRECT VIEW LED VIDEOWALL STAND



BOLT DOWN UNIVERSAL DIRECT VIEW LED VIDEOWALL STAND

SYSTEM X CONFIGURATION TOOL FOR LED PANEL VIDEOWALLS

SYSTEM X

Configuration Tool for LED Video Walls

Wall

Freestanding

Mobile

Bolt Down

LED Panels Per Row* Panel Weight (kg)

Number of Rows of LED Panels* Panel Brand (if known)

Panel Width (mm) Panel Model No. (if known)

Panel Height (mm)

Panel Fixing Method

- Fix from the Front (Through the Inside of the Panel)
- Fix from the Rear (Keyhole 'Hook-on' Method)
- Not sure

Panel Fixing Method

- Fix from the Front (Through the Inside of the Panel)
- Fix from the Rear (Keyhole 'Hook-on' Method)
- Not sure

Drawings Required? (tick all that apply)

- Dimensional Drawing Required
- 3D CAD Drawing Required
- No Drawing Required

*Additional charges may apply.

Your Configuration

B-Tech Model: BT9340-5x5-SAM-IF

LED Wall Dimensions: 2.4m (w) x 2.7m (h)

Request a quote

B-Tech's online configuration tool is a quick and simple way to specify and order your LED videowall mounting solution. Simply input a few details about the panels you wish to use and how you want to install them (wall mounted, trolley etc.) and the tool will give you a part code that you can use to order with. The request a quote option will instantly notify us of your interest and allow us to quickly provide you with a quotation.

© 2019 B-Tech Mounts. All rights reserved. The information in this document is subject to change without notice. B-Tech Mounts and the B-Tech logo are registered trademarks of B-Tech International Design & Manufacturing Limited. B-Tech Mounts is not liable for loss or damage caused by improper installation or use. Any reproduction or transmission of any part of this specification is strictly prohibited, unless prior written permission has been granted by B-Tech International Design & Manufacturing Limited. B-Tech Model: BT9340-190719