



PADDED  
 ARMS SUPPORT  
 DEVICES WITHOUT  
 DAMAGING THE  
 PRODUCT

# BTV920

## AV COMPONENT SHELF



Designed to wall mount AV equipment, the BTV920 is a component shelf that features adjustable arms allowing for easy positioning to support most sizes of equipment. Ideal for use with media players, games consoles, Blu-Ray players and centre speakers up to 10kg. When mounting multiple equipment, shelves can be stacked above each other. All mounting hardware is supplied and cover plates are included to hide wall fixings making for a neat installation.

### SPECIFICATION

Max load	10kg
Arm width adjustment	Min.100mm - Max.570mm
Colour	Black

### FEATURES

- Adjustable wall mounted component suitable shelf for all common AV equipment such as DVD and Blu-Ray players
- Non-slip padded arms
- Coverplates included to hide wall fixings
- Quick and simple installation



Integrating, toothed wheels allow the arms to adjust in unison, symmetrically to the centre of the mount



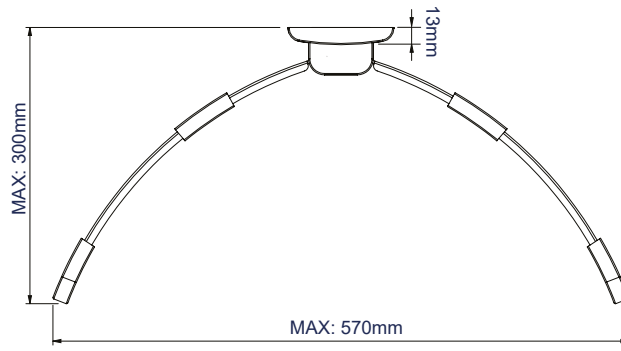
Aesthetic covers hide unsightly fixings and give a clean finish to the install



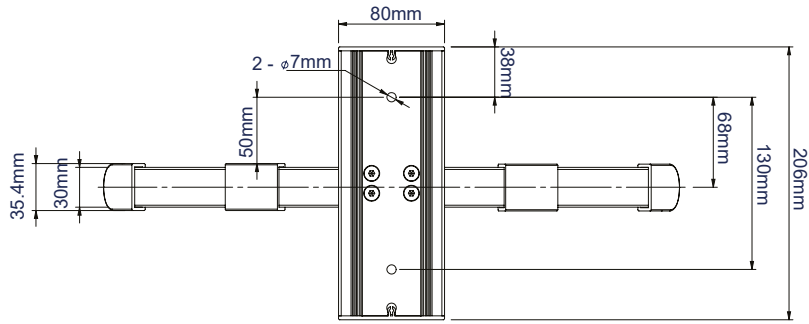
Adjustable arms can adapt to hold various sizes of AV devices



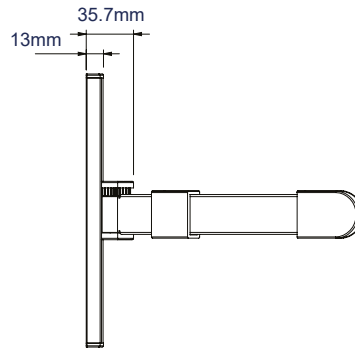
Compatible with all common AV equipment such as DVD and Blu-Ray® players



TOP VIEW



REAR VIEW



SIDE VIEW

PACKING INFORMATION

COLOUR:	ORDER REF:	EAN CODE:	MASTER CARTON QTY:	INNER CARTON QTY:	MASTER CARTON WEIGHT:	MASTER CARTON CUBE:
Black	BTV920/B	5019318440656	12	N/A	9.080kg	0.035cbm

RELATED PRODUCTS

<p><b>BT7032</b></p> 	<p><b>BT7033</b></p> 	<p><b>BT7863</b></p> 	<p><b>BT7166</b></p> 
--	--	---	--

**Large AV Accessory Shelf**  
Dimensions 500mm x 380mm

**Medium AV Accessory Shelf**  
Dimensions 300mm x 300mm

**Small AV Accessory Shelf**  
Dimensions 235mm x 120mm

**Glass AV Accessory Shelf**  
Dimensions 450mm x 365mm

© 2019 B-Tech Professional Design & Manufacturing Ltd. All rights reserved.  
 The information in this specification is intended for reference only. It is not intended to be used as a substitute for the manufacturer's instructions. B-Tech Professional Design & Manufacturing Ltd. is not responsible for any damage or injury caused by improper or unsafe use of the product. Any reproduction or transmission of any part of this specification is strictly prohibited unless prior written permission has been granted by B-Tech Professional Design & Manufacturing Ltd.

SS-V2-BTV920-060819