

IDEAL FOR
CCTV
INSTALLS

BT5909

DOME SECURITY CAMERA MOUNT FOR Ø38MM POLES

The BT5909 is a CCTV dome camera mount from B-Tech's System V Range; a collection of components designed for the installation of CCTV and other ceiling mounted equipment. Designed for use with BT5935 ø38mm poles, the mount can support small sized dome camera up to 5kg and when used with other parts from the System V Range, allows professionals to customise their ceiling mounted security solutions to their specific requirement.

SPECIFICATION

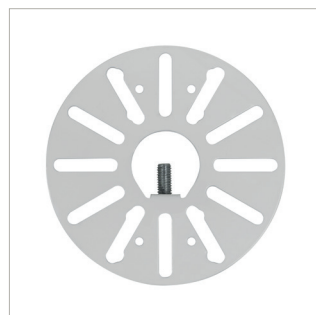
Maximum load	5kg
Camera fixings dimensions	51mm - 90mm
Camera plate diameter	120mm
Colour	White

FEATURES

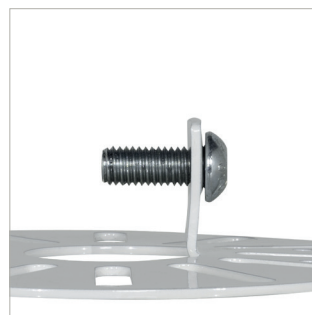
- Mount a small sized dome camera to the end of a BT5935 ø38mm pole
- Carousel suitable for cameras with fixings from 51mm to 90mm apart
- Safety bolt ensures pole and camera mount are securely joined
- Integrated cable management allows cables to pass through the centre of the mount
- Create a variety of ceiling mounted CCTV installs using System V's range of components



Attaches directly to **BT5935** ø38mm poles



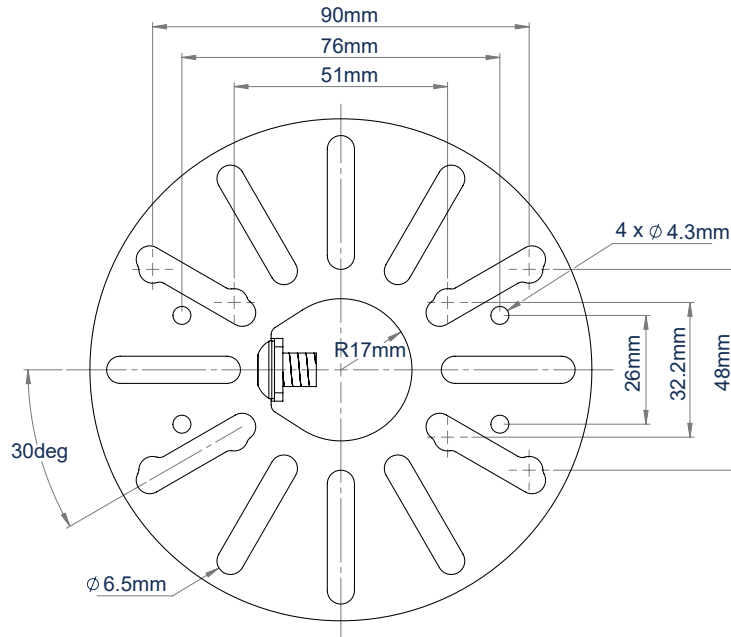
Multiple mounting points for small domed CCTV security cameras



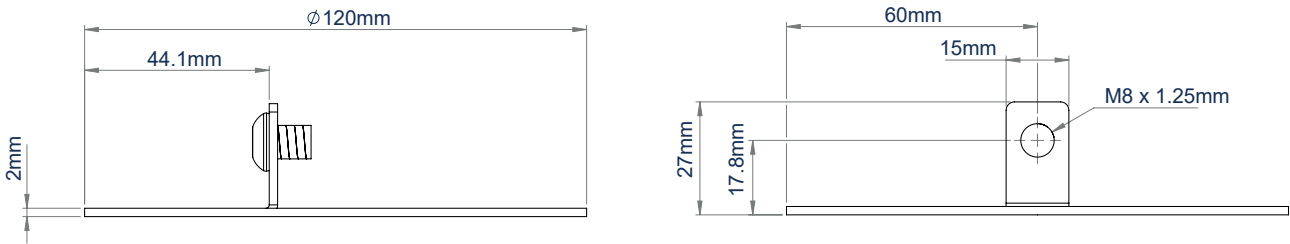
Safety bolt ensures pole and camera mount are securely joined



Complete off-the-shelf kits also available (image shows BT5960-FD100)



TOP VIEW



SIDE VIEW

PACKING INFORMATION

COLOUR:	ORDER REF:	EAN CODE:	MASTER CARTON QTY:	MASTER CARTON WEIGHT:	MASTER CARTON CUBE:
White	BT5909/W	5019318305948	16	4.8kg	0.012cbm

RELATED PRODUCTS



BT5935
38mm Diameter Poles
Available in 1 metre or 2 metre lengths

BT5920
Fixed Ceiling Mount
Mounts BT5935 ø38mm poles to the ceiling

BT5910
Dome Security Camera Mount
Carousel mount for small to medium dome cameras

BT5960-FD100
CCTV Ceiling Mount for Dome Surveillance Cameras
Off-the-shelf kit

© 2015 B-Tech Professional Design & Manufacturing Ltd. All rights reserved.
The information in this specification is for reference only. It is not intended to be used as a substitute for the manufacturer's instructions. B-Tech Professional Design & Manufacturing Ltd. is not responsible for any damage or loss of data caused by the use of this information. B-Tech Professional Design & Manufacturing Ltd. is not responsible for any damage or loss of data caused by the use of this information. B-Tech Professional Design & Manufacturing Ltd. is not responsible for any damage or loss of data caused by the use of this information.