

CREATES
SEAMLESS JOIN
BETWEEN
POLES

BT5923

INTERNAL POLE JOINER FOR Ø38MM POLES

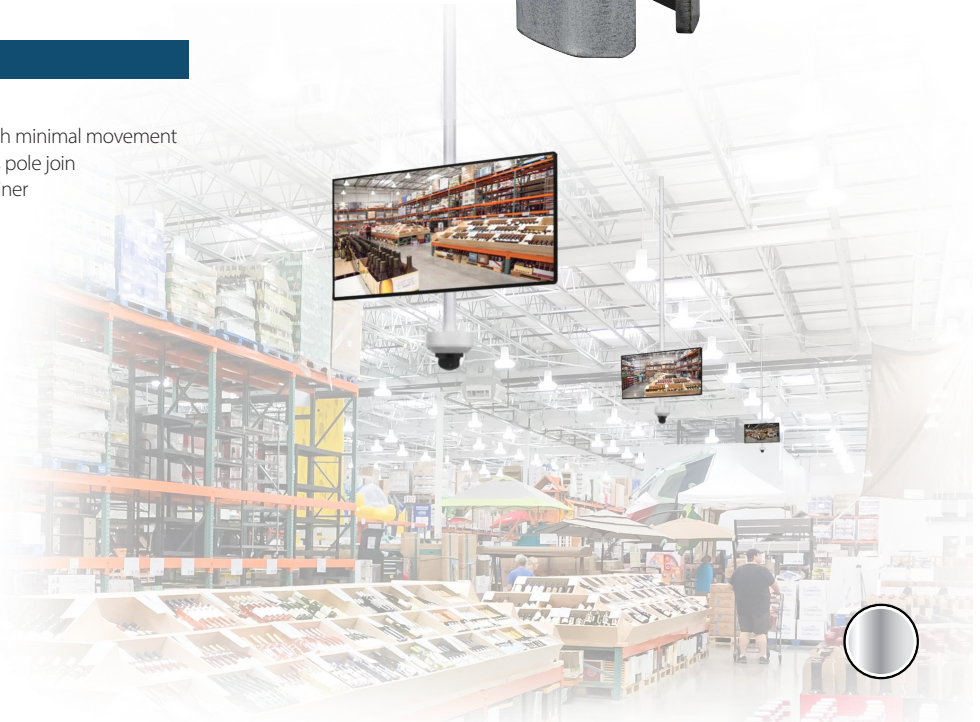
The BT5923 is an internal joining kit for Ø38mm poles which is designed to extend the drop of System V installations. The joiner is made from 4mm thick heavy duty steel, which easily bolts to the inside of BT5935 poles to create a rigid, seamless join whilst still allowing cables to pass through unimpeded.

SPECIFICATION

Steel thickness 4mm

FEATURES

- Allows a rigid internal join of 2x Ø38mm poles
- Heavy duty steel supports substantial loads with minimal movement
- Hidden from view once installed for a seamless pole join
- Allows cables to pass through the poles and joiner
- Two-piece design for a quick install



Attaches directly to **BT5935** ø38mm poles



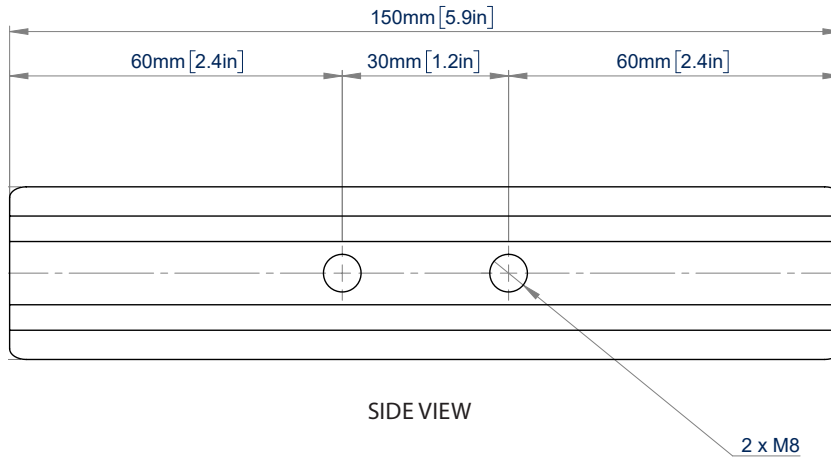
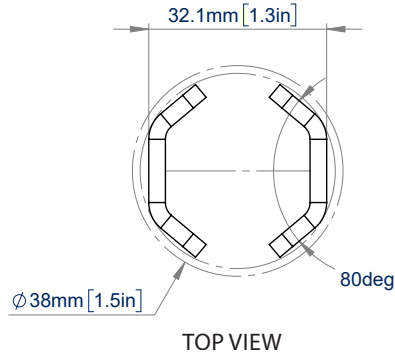
Hidden from view once installed for a seamless pole join



Two-piece design for a quick install



Heavy duty steel supports substantial loads with minimal movement



PACKING INFORMATION

COLOUR:	ORDER REF:	EAN CODE:	MASTER CARTON QTY:	INNER CARTON QTY:	MASTER CARTON WEIGHT:	MASTER CARTON CUBE:
Zinc	BT5923-Z	5019318306877	1	0	0.293kg	0.0013cbm

RELATED PRODUCTS

<p>BT5935</p> 	<p>BT5920</p> 	<p>BT5910</p> 	<p>BT5961-FD200</p> 
--	--	---	--

38mm diameter poles
Available in 1, 2 or 3 metre lengths

Fixed Ceiling Mount
Mounts BT5935 ø38mm poles from the ceiling

Dome Security Camera Mount
Carousel mount for small / medium dome CCTV cameras

1m drop CCTV Ceiling Mount
CCTV Ceiling Mount with 2m drop - For small-medium dome security cameras

© 2015 B-Tech Professional Design & Manufacturing Ltd. All rights reserved.
The information in this specification is intended for reference only and does not constitute an offer of any product. It is subject to change without notice. B-Tech Professional Design & Manufacturing Ltd. is not responsible for any loss or damage caused by improper or unauthorized use, installation, or repair of any part of this specification. B-Tech Professional Design & Manufacturing Ltd. is not responsible for any loss or damage caused by improper or unauthorized use, installation, or repair of any part of this specification. B-Tech Professional Design & Manufacturing Ltd. is not responsible for any loss or damage caused by improper or unauthorized use, installation, or repair of any part of this specification.

SS-V1-BT5923-Z-180522-EN