



GX Outdoor Dome Camera

Compact and cost-effective without sacrificing quality

Part of IndigoVision’s GX Range, Available in 2MP and 5MP resolution options - the GX Dome Camera’s deliver pin sharp video that is fully ONVIF conformant. Any single point of failure in the system is removed through IndigoVision’s Distributed Network Architecture (DNA).

Key Features & Benefits

Low Light Technology
Dual Exposure Wide Dynamic Range
ONVIF [®] compliant
H.265 And H.264 with SmartCodec technology
IP66 and IK08 rated
Made in North America
5 year warranty

Product Codes

Model	Product Codes
2MP GX Outdoor Dome Camera	550440
5MP GX Outdoor Dome Camera	552440

Specifications

Image Performance	2MP	5MP
Sensor	1/2.8" progressive scan CMOS	
Maximum Resolution	(16:9) 1920 × 1080 (5:4) 1280 × 1024 (4:3) 1280 × 960 (16:9) 1280 × 720	(4:3) 2592 × 1944 (5:4) 2560 × 1440
Imaging Area (H × V)	4.8 mm × 2.7 mm; 0.189" × 0.106"	
Dynamic Range (WDR Off)	83 dB	83 dB
Dynamic Range (WDR On)	110 dB (dual exposure)	110 dB (dual exposure)
Max Image Rate	50 Hz/60 Hz): 25 fps/30 fps	(50 Hz/60 Hz): 25 fps/24 fps
Resolution Scaling	Down to 384 × 216	
Camera Operating Mode	N/A	Full feature or high framerate mode
Bandwidth Management	SmartCodec technology	
3D Noise Reduction Filter	Yes	

Lens and IR Illumination		
Lens	2.8 mm, F1.2, IR Corrected	
Minimum Illumination (With IR)	0 lux in color or monochrome mode	
Minimum Illumination (Without IR)	0.01 lux in color mode; 0.005 lux (F/1.2) in monochrome mode	0.03 lux in color mode; 0.015 lux (F/1.2) in monochrome mode
IR illumination (high power 850 nm LEDs)	15 m (50 ft) max. distance at 0 lux	
Horizontal Angle of View - Based on Aspect Ratio	(16:9) 112°; (5:4) 72°; (4:3) 82°	(5:4) 103°; (4:3) 104°
Vertical Angle of View - Based on Aspect Ratio	(16:9) 62°; (5:4) 58°; (4:3) 61°	(5:4) 67°; (4:3) 77°
Max Aperture	F1.2	
Control	Fixed	

Image Control	
Image Compression Method	H.264 SmartCodec, H.265 SmartCodec, Motion JPEG
Streaming	Multi-stream H.264, Multi-stream H.265, Motion JPEG
Motion Detection	Pixel
Camera Tamper Detection	Yes
Electronic Shutter Control	Automatic, Manual (1/7.5 to 1/8000 sec)
Iris Control	None
Day/Night Control	Automatic, Manual
Flicker Control	60 Hz, 50 Hz
White Balance	Automatic, Manual
Backlight Compensation	Adjustable
Privacy Zones	Up to 64 zones

Network	
Network	100BASE-TX, RJ45 Connector, CAT5 Cabling
ONVIF	ONVIF compliance Profile S, Profile T (www.onvif.org)
Security	Password protection, HTTPS encryption, digest authentication, WS authentication, user access log, 802.1x port based authentication
Protocol	IPv6, IPv4, HTTP, HTTPS, SOAP, DNS, NTP, RTSP, RTCP, RTP, TCP, UDP, IGMP, ICMP, DHCP, Zeroconf, ARP
Streaming Protocols	RTP/UDP, RTP/UDP multicast, RTP/RTSP/TCP, RTP/RTSP/HTTP/TCP, RTP/RTSP/HTTPS/TCP, HTTP
Device Management Protocols	SNMP v2c, SNMP v3

Mechanical	Surface Mount	In-Ceiling Mount
Dimensions (LxWxH)	100 mm × 100 mm × 115 mm; 3.9" × 3.9" × 4.5"	101 mm × 101 mm × 162 mm; 4.0" × 4.0" × 6.4"
Max. Ceiling Thickness	N/A	1.0"
Weight	0.355 kg; 0.78 lbs	0.37 kg; 0.82 lbs
Body	Polycarbonate and aluminum	
Housing	Polycarbonate	
Finish	Cool gray	
Adjustment Range	360° pan, ±180° azimuth, 0° – 90° tilt	

Specifications

Electrical	
Power Consumption	8 W
External Power	PoE: IEEE802.3af Class 0 compliant

Environmental	
Operating Temperature	-30 °C to +55 °C (-22 °F to 131 °F)
Storage Temperature	-40 °C to +70 °C (-40 °F to 158 °F)
Humidity	0 - 95% non-condensing

Certifications	
Certifications/ Directives	UL, cUL, CE, ROHS, WEEE, RCM
Safety	UL 62368-1, CSA 62368-1, IEC/EN 62368-1, IEC 62471
Environmental	IP66 Weather Rating and IK08 Impact Rating
Electromagnetic Emissions	FCC Part 15 Subpart B Class B, IC ICES-003 Class B, EN 55032 Class B, EN 61000-6-3, EN 61000-3-2, EN 61000-3-3
Electromagnetic Immunity	EN 55035, EN 61000-6-1

Ordering Information

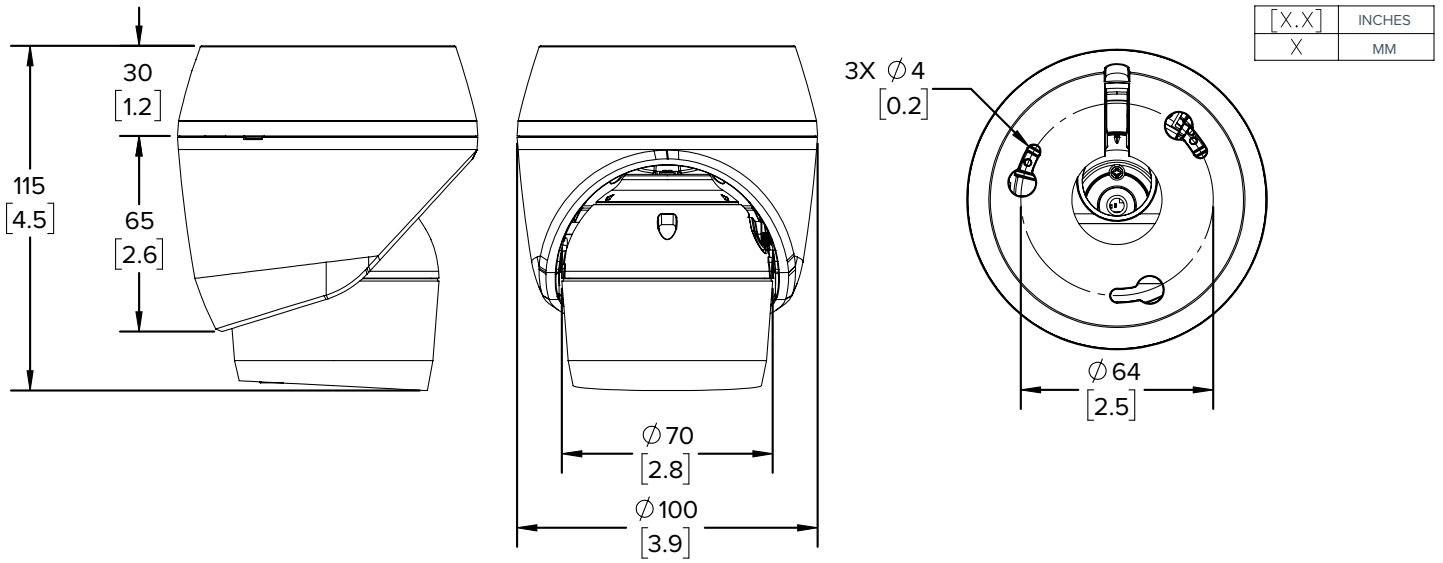
Model	Product Code	MP	WDR	Low light Technology	Lens	IR	IP66
GX-2MP-DO-IR	550440	2.0	✓	✓	2.8 mm	✓	✓
GX-5MP-DO-IR	552440	5.0	✓	✓	2.8 mm	✓	✓

Accessories

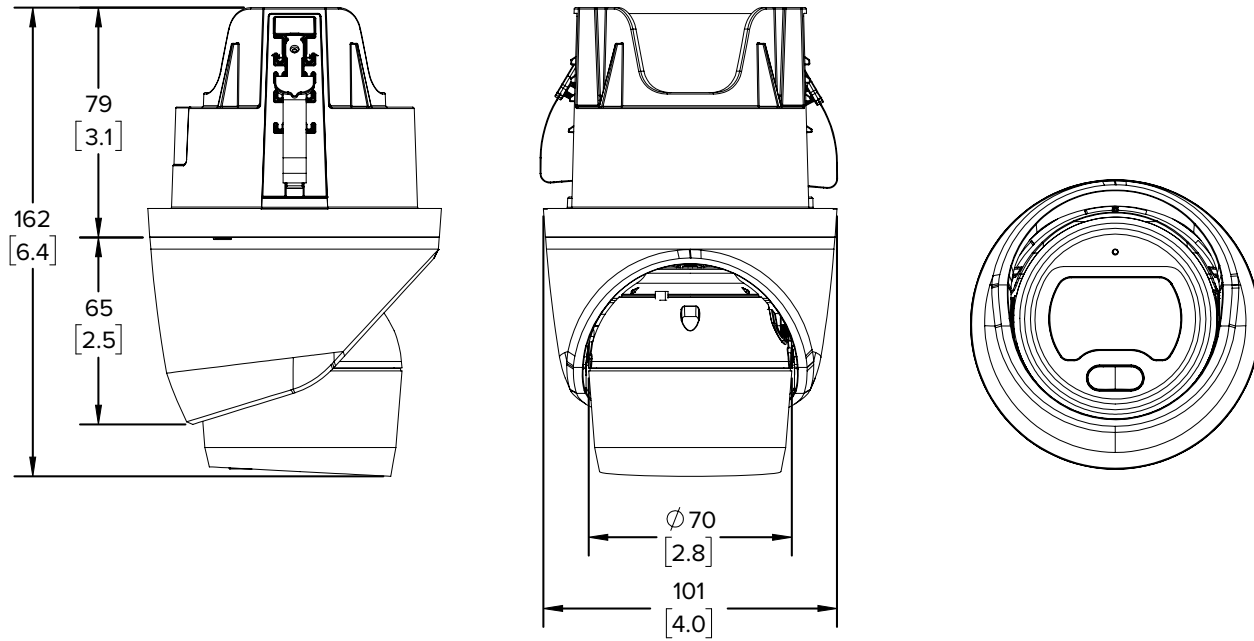
Display Part Number	Product Code	Description
GX-SHRD	150552	Package of 4 camera shroud replacement parts for the GX dome cameras
GX-AD-CEIL	150254	In-ceiling mount adapter for GX dome cameras

Outline Dimensions

Surface Mount Outdoor Dome Camera



In-Ceiling Dome Camera



ID: GXOD 20.0 NOV 20