



# BX Camera Range

Supreme connectivity and flexibility

With IndigoVision's BX range you get supreme connectivity and flexibility combined with great video and audio. Available in a variety of resolutions and form factors, you also get maximum reliability with IndigoVision's Distributed Network Architecture, which removes the requirement for a central server, ensuring you never lose access to live video and benefit from minimal latency. The BX Cameras deliver a different dimension of safety when combined with IndigoVision's Control Center.

## Key Features & Benefits



### MOTION DETECTION

Operators get alerted immediately when motion is detected thanks to our built-in analytics.



### ONVIF<sup>®</sup> COMPLIANT

Built on an open platform to allow integration with other security solutions, so you can expand your existing security system.



### H.265 WITH SMARTCODEC TECHNOLOGY

Reduce costs by maximizing bandwidth utilization and storage consumption without compromising image quality.



### EXPANDABLE STORAGE

Use our slot for either SD or microSD memory card and get video recordings even during network interruptions.



### IP AND IK RATED

Trust the robustness and reliability of your system with IP66/7 weather rating and IK10 impact rating for vandal resistance.



### 5 YEAR WARRANTY

Gain peace of mind with products backed by a 5-year, industry-leading warranty.



### LOW LIGHT TECHNOLOGY

Deliver safety and capture unexceptionably detailed footage even in low-light settings.



### DUAL EXPOSURE WIDE DYNAMIC RANGE

Capture details in scenes with both very bright and dark areas, so you can detect suspicious activity in all lighting conditions.



### ADAPTIVE INFRARED (IR)

Automatically adjusts IR performance based on scene conditions to help maximize image quality.



### AUDIO CAPABILITIES

Available ports for external audio including sirens, microphones and/or loudspeakers for audio talk-down situations.



### RELAY I/O CONNECTIONS FOR FAST RESPONSE

Configure input actions (such as alarms) that trigger an external relay to perform an action (e.g., turn lights on).



### NDAA COMPLIANT

Approach US government with confidence, knowing our cameras comply with the National Defense Authorization Act.

# Specifications

Image Performance	2.0 MP	3.0 MP	5.0 MP
Sensor	1/2.8" progressive scan CMOS		
Aspect Ratio	16:9	4:3	4:3 (16:9 @ 4MP)
Active Pixels (H x V)	1920 x 1080	2048 x 1536	2592 x 1944
Imaging Area (H x V)	4.8 mm x 2.7 mm; 0.189" x 0.106"	5.12 mm x 3.84 mm; 0.202" x 0.151"	5.18 mm x 3.89 mm; 0.204" x 0.153"
Dynamic Range (WDR Off)	100 dB		
Dynamic Range (WDR On)	120 dB (dual exposure)	120 dB (dual exposure)	110 dB (dual exposure)
Max Image Rate	(50 Hz/60 Hz): 25 fps/30 fps	(50 Hz/60 Hz): 25 fps/30 fps	(50 Hz/60 Hz): 25 fps/24 fps
Resolution Scaling	Down to 384 x 216		
Camera Operating Mode	N/A	N/A	Full feature or High framerate mode
Bandwidth Management	SmartCodec technology		
3D Noise Reduction Filter	Yes		

Lens and IR Illumination		3.1 – 8.4 mm	9.5 – 31 mm
IR Illumination Max Distance (high power 850 nm LEDs)	Dome	30 m (100 ft), full tele 20 m (65 ft), full wide	N/A
	Bullet	50 m (165 ft), full tele 30 m (100 ft), full wide	70 m (230 ft), full tele 30 m (100 ft), full wide
Minimum Illumination	2.0 MP	With IR: 0 lux in color or monochrome mode Without IR: 0.04 lux in color mode; 0.02 lux in monochrome mode	N/A
	3.0 MP		With IR: 0 lux in color or monochrome mode Without IR: 0.03 lux in color mode; 0.015 lux in monochrome mode
	5.0 MP		With IR: 0 lux in color or monochrome mode Without IR: 0.015 lux in color mode; 0.007 lux in monochrome mode
Horizontal Angle of View - Based on Aspect Ratio	2.0 MP	(16:9)(4:3) 35° – 90° (5:4) 33° – 85°	N/A
	3.0 MP		(16:9) 10° – 32°; (5:4) 9.5° – 32°; (4:3) 9.5° – 30°
	5.0 MP		(16:9)(4:3) 9.5° – 30°
Vertical Angle of View - Based on Aspect Ratio	2.0 MP	(16:9) 20° – 49° (5:4)(4:3) 26° – 66°	N/A
	3.0 MP		(16:9) 6° – 17°; (5:4)(4:3) 7° – 23°
	5.0 MP		(16:9) 6° – 17°; (4:3) 7° – 23°
Max Aperture	F1.6		F1.4
Control	P-Iris, Remote Focus and Zoom		

Image Control	
Image Compression Method	H.264 SmartCodec, H.265 SmartCodec, Motion JPEG
Streaming	Multi-stream H.264, Multi-stream H.265, Motion JPEG
Motion Detection	Pixel
Tamper Detection	Yes
Electronic Shutter Control	Automatic, Manual (1/6 to 1/8000 sec)
Iris Control	Automatic, Manual
Day/Night Control	Automatic, Manual
Flicker Control	60 Hz, 50 Hz
White Balance	Automatic, Manual
Backlight Compensation	Adjustable
Privacy Zones	Up to 64 zones

Auxiliary I/O	
Audio Compression Method	Opus, G.711 PCM 8 kHz
Audio Input/Output	Line level input and output
External I/O Terminals	Alarm In, Alarm Out

# Specifications

Network	
Network	100BASE-TX
Cabling Type	CAT5
Connector	RJ-45
ONVIF	ONVIF compliant with Profile S, Profile G and Profile T (www.onvif.org)
Security	Password protection, HTTPS encryption, digest authentication, WS authentication, user access log, 802.1x port based authentication, CyberVigilant*
Protocol	IPv6, IPv4, HTTP, HTTPS, SOAP, DNS, NTP, RTSP, RTCP, RTP, TCP, UDP, IGMP, ICMP, DHCP, Zeroconf, ARP
Streaming Protocols	RTP/UDP, RTP/UDP multicast, RTP/RTSP/TCP, RTP/RTSP/HTTP/TCP, RTP/RTSP/HTTPS/TCP, HTTP
Device Management Protocols	SNMP v2c, SNMP v3
Software Requirements	Control Center v17.2 or later

\* Feature will be added in the future with a firmware upgrade

Peripherals	
Onboard Storage	microSD/microSDHC/microSDXC slot – minimum class 6; class 10/UHS-1 or better recommended

Mechanical (Dome)	Surface Mount	In-Ceiling Mount	Pendant Mount NPT Adaptor	Pendant Mount NPT + Wall Mount
Dimensions (LxWxH)	147 x 147 x 119 mm; 5.8" x 5.8" x 4.7"	174 x 174 x 162 mm; 6.9" x 6.9" x 6.4"	153 x 153 x 166 mm; 6.0" x 6.0" x 6.5"	269 x 153 x 214 mm; 10.6" x 6.0" x 8.4"
Max. Ceiling Thickness	N/A	32 mm (1.25")	N/A	N/A
Weight	0.78 kg; 1.72 lbs	0.77 kg; 1.69 lbs	0.77 kg; 1.69 lbs	2.04 kg; 4.49 lbs
Dome Bubble	Polycarbonate, clear			
Body	Polycarbonate			Polycarbonate/ aluminum
Housing	Vandal resistant			
Finish	Cool grey			Close to RAL 9003
Adjustment Range	360° pan, ±180° azimuth, 30° – 95° tilt (recommended), 10° – 95° tilt (maximum)			

Mechanical (Bullet)	
Dimensions (LxWxH)	285 mm x 131 mm x 97 mm; 11.2" x 5.1" x 3.8" (including mounting bracket)
Weight (Camera)	1.29 kg (2.84 lbs)
Weight (Mounting Bracket)	0.21 kg (0.46 lbs)
Body	Aluminum
Housing	Surface mount, tamper resistant, vandal resistant
Finish	Powder coat, cool grey
Adjustment Range	±175° pan, ±90° tilt, ±175° azimuth

Electrical	
Power Consumption (Dome)	8W max
Power Consumption (Bullet)	9W max
Power Source**	PoE: IEEE802.3af Class 3 compliant
RTC Backup Battery	3V manganese lithium

\*\* When powered with some models of PoE++ injectors, the injectors may not power the camera correctly.

Environmental	
Operating Temperature	-30 °C to +60 °C (-22 °F to 140 °F)
Storage Temperature	-10 °C to +70 °C (14 °F to 158 °F)
Humidity	0 - 95% non-condensing

Certifications	
Certifications/ Directives	UL, cUL, CE, ROHS, RCM, EAC, BIS, KC
Safety	UL 62368-1, CSA 62368-1, IEC/EN 62368-1, IEC 62471
Environmental	IEC 62262 IK10 Impact Rating, UL/CSA/IEC 60950-22, IEC 60529 IP66 and IP67 Weather Rating
Electromagnetic Emissions	FCC Part 15 Subpart B Class B, IC ICES-003 Class B, EN 55032 Class B, EN 61000-6-3, EN 61000-3-2, EN 61000-3-3
Electromagnetic Immunity	EN 55035, EN 61000-6-1
Industrial EMC	EN 50130-4, EN 50121-4

# Ordering Information (Bullet)

Model	Product Code	MP	WDR	Low light Technology	Lens	IR	IP66 / IP67	SmartCodec
BX-2MP-BO-S-IR	650640	2.0	✓	✓	3.1 - 8.4 mm	✓	✓	✓
BX-3MP-BO-T-IR	651641	3.0	✓	✓	9.5 - 31 mm	✓	✓	✓
BX-5MP-BO-S-IR	652640	5.0	✓	✓	3.1 - 8.4 mm	✓	✓	✓
BX-5MP-BO-T-IR	652641	5.0	✓	✓	9.5 - 31 mm	✓	✓	✓

## Mounting Adaptors and Accessories

Display Part Number	Product Code	Description
BO-JCT-BOX	150300	Junction box for bullet cameras
POLE-MNT	150506	Aluminum pole mounting bracket
CRNR-MNT	150507	Aluminum corner mounting bracket

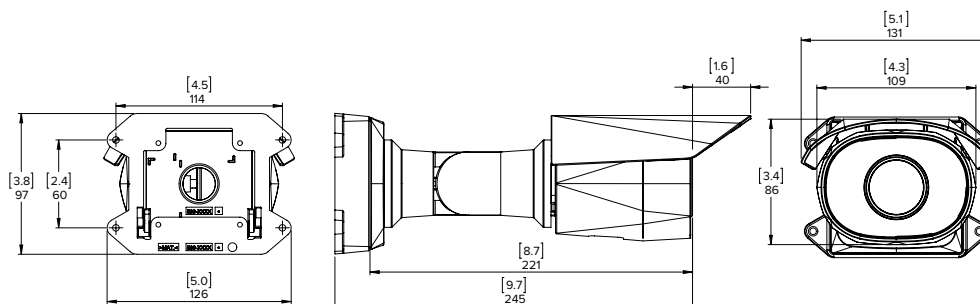
# Outline Dimensions (Bullet)

[X.X]	INCHES
X	MM

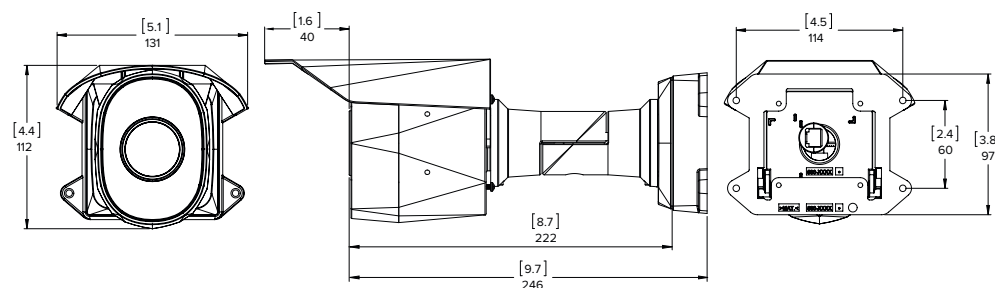
## Bullet Camera

BX-BO

LANDSCAPE MODE

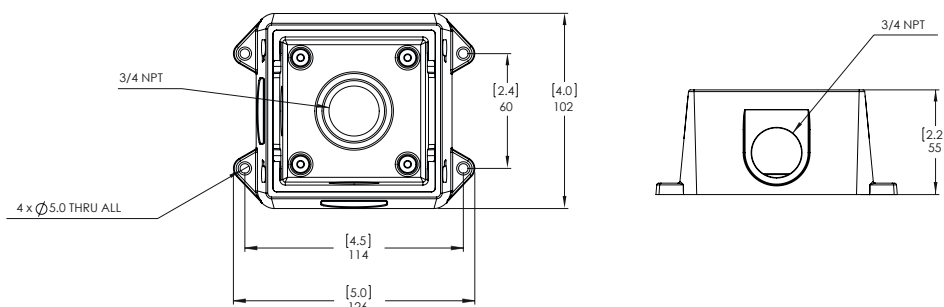


CORRIDOR MODE







## Bullet Camera Junction Box

BO-JCT-BOX



# Ordering Information (Dome)

The variety of mounting options for the BX dome camera provides maximum flexibility. All the available camera modules can be used in any of the mounting options.

Mounting Scenario	Ordering Information
<b>SURFACE MOUNT</b> 	Order one of: <ul style="list-style-type: none"> <li>• Camera</li> </ul>
<b>IN-CEILING MOUNT</b> 	Order one of: <ul style="list-style-type: none"> <li>• Camera</li> <li>• BX-AD-CEIL</li> <li>• Optional, UX-BX-DC-CPNL if ceiling panel needed</li> </ul>
<b>PENDANT NPT MOUNT</b> 	Order one of: <ul style="list-style-type: none"> <li>• Camera</li> <li>• BX-DP-NPTA-MNT</li> </ul>
<b>PENDANT WALL MOUNT</b> 	Order one of: <ul style="list-style-type: none"> <li>• Camera</li> <li>• BX-DP-NPTA-MNT</li> <li>• BX-DP-WALL-MNT</li> <li>• Optional, POLE-MNT or CRNR-MNT if pole or corner mount needed</li> </ul>

Model	Product Code	MP	WDR	Low light Technology	Lens	IR	IP66 / IP67	SmartCodec
BX-2MP-DO-S-IR	650440	2.0	✓	✓	3.1 - 8.4 mm	✓	✓	✓
BX-5MP-DO-S-IR	652440	5.0	✓	✓	3.1 - 8.4 mm	✓	✓	✓

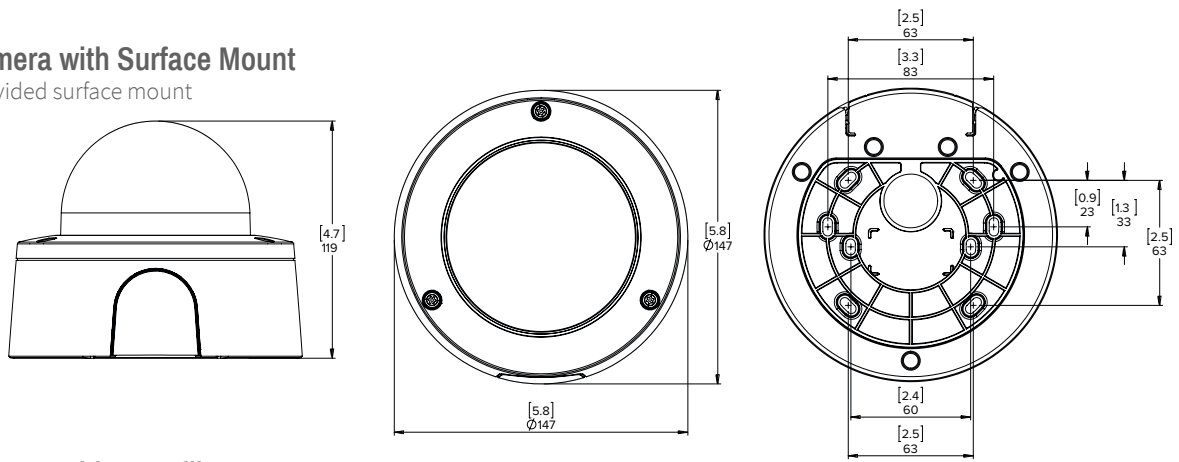
## Mounting Adapters and Accessories

Display Part Number	Product Code	Description
BX-AD-CEIL	150255	In-ceiling mounting adapter for the BX dome camera
BX-DP-NPTA-MNT	150504	NPT adapter for the BX dome camera
BX-DP-WALL-MNT	150505	Pendant wall mount
UX-BX-DC-CPNL	150259	Metal ceiling panel
POLE-MNT	150506	Aluminum pole mounting bracket
CRNR-MNT	150507	Aluminum corner mounting bracket
BX-DO-COVR-SMK	150412	Replacement smoke dome cover
BX-DO-COVR-CLR	150413	Replacement clear dome cover
BX-DO-AD-SMT	150256	Replacement surface mount adapter

# Outline Dimensions (Dome)

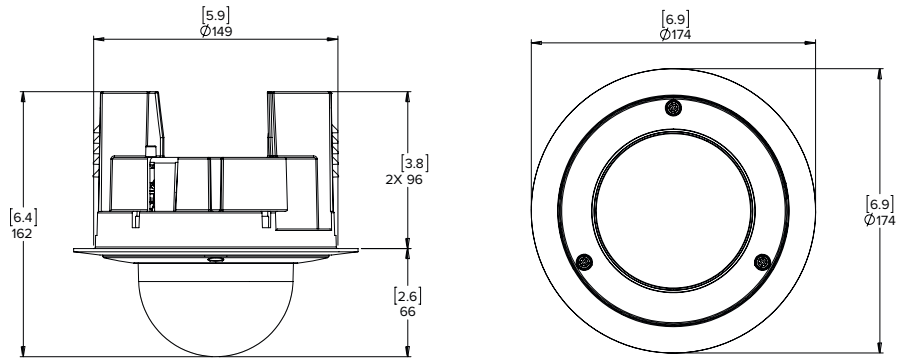
## Dome Camera with Surface Mount

BX-DO + provided surface mount



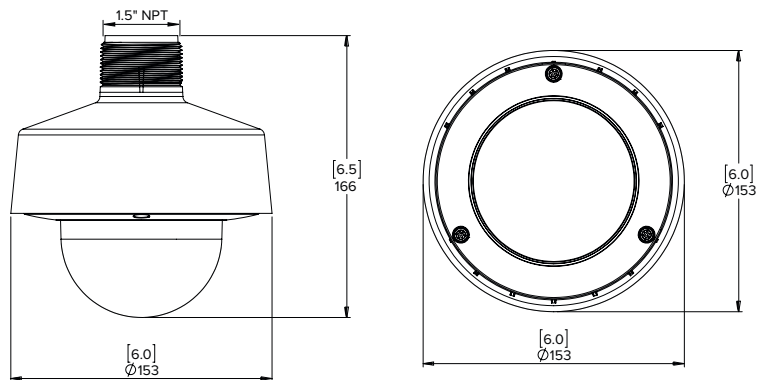
## Dome Camera with In-Ceiling Mount

BX-DO + BX-AD-CEIL



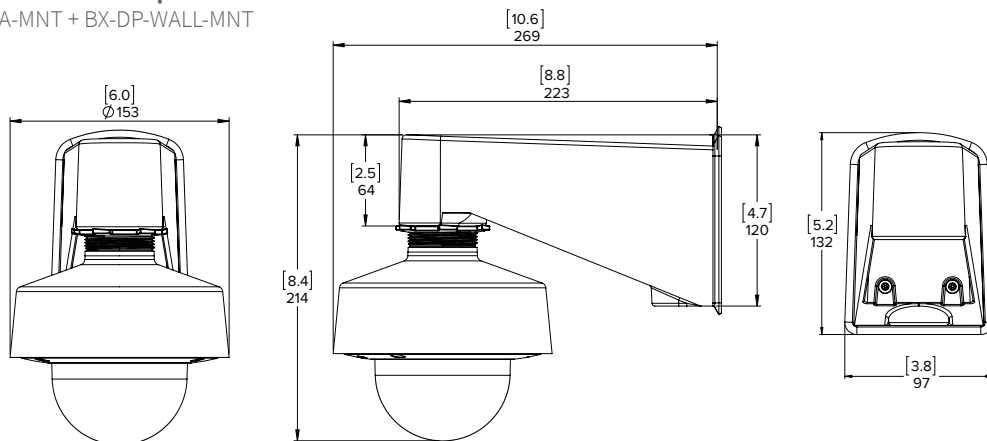
## Dome Camera with NPT Adapter

BX-DO + BX-DP-NPTA-MNT



## Dome Camera with NPT Adapter and Pendant Wall Mount

BX-DO + BX-DP-NPTA-MNT + BX-DP-WALL-MNT



ID: BXRNG 21.5 JUN 21