



# BX Camera Line

Supreme connectivity and flexibility

With IndigoVision's BX range you get supreme connectivity and flexibility combined with great video and audio. Available in a variety of resolutions and form factors, you also get maximum reliability and the other significant benefits of IndigoVision's Distributed Network Architecture. The BX Cameras deliver a different dimension of safety when combined with IndigoVision's Control Center.

## Key Features & Benefits

Low Light Technology

Dual Exposure Wide Dynamic Range

ONVIF<sup>®</sup> compliant

Multiple Lens Options

H.265 with SmartCodec technology

Adaptive Infrared (IR)

Relay I/O connections

Made in North America\*

5 year warranty

\* Applies to products manufactured in our North American facilities

## Product Codes

### Bullet Cameras

|                                      | Product Codes |
|--------------------------------------|---------------|
| 2MP BX Bullet Camera, Standard Lens  | 650640        |
| 3MP BX Bullet Camera, Telephoto Lens | 651641        |
| 5MP BX Bullet Camera, Standard Lens  | 652640        |
| 5MP BX Bullet Camera, Telephoto Lens | 652641        |

### Dome Cameras

|                                   | Product Codes |
|-----------------------------------|---------------|
| 2MP BX Dome Camera, Standard Lens | 650440        |
| 5MP BX Dome Camera, Standard Lens | 652440        |

# Specifications

| Image Performance         | 2.0 MP                              | 3.0 MP                                | 5.0 MP                                |
|---------------------------|-------------------------------------|---------------------------------------|---------------------------------------|
| Sensor                    | 1/2.8" progressive scan CMOS        |                                       |                                       |
| Aspect Ratio              | 16:9                                | 4:3                                   | 4:3                                   |
| Active Pixels (H x V)     | 1920 x 1080                         | 2048 x 1536                           | 2592 x 1944                           |
| Imaging Area (H x V)      | 4.8 mm x 2.7 mm;<br>0.189" x 0.106" | 5.12 mm x 3.84 mm;<br>0.202" x 0.151" | 5.18 mm x 3.89 mm;<br>0.204" x 0.153" |
| Dynamic Range (WDR Off)   | 100 dB                              |                                       |                                       |
| Dynamic Range (WDR On)    | 120 dB (dual exposure)              | 120 dB (dual exposure)                | 110 dB (dual exposure)                |
| Max Image Rate            | (50 Hz/60 Hz): 25 fps/30 fps        | (50 Hz/60 Hz): 25 fps/30 fps          | (50 Hz/60 Hz): 25 fps/24 fps          |
| Resolution Scaling        | Down to 384 x 216                   |                                       |                                       |
| Camera Operating Mode     | N/A                                 | N/A                                   | Full feature or High framerate mode   |
| Bandwidth Management      | SmartCodec technology               |                                       |                                       |
| 3D Noise Reduction Filter | Yes                                 |                                       |                                       |

| Lens and IR Illumination                                 |                               | 3.1 – 8.4 mm  | 9.5 – 31 mm   |
|--|-------------------------------|---|---|
| IR Illumination Max Distance<br>(high power 850 nm LEDs) | Dome                          | 30 m (100 ft), full tele<br>20 m (65 ft), full wide   | N/A   |
|  | Bullet                        | 50 m (165 ft), full tele<br>30 m (100 ft), full wide  | 70 m (230 ft), full tele<br>30 m (100 ft), full wide  |
| Minimum Illumination                                     | 2.0 MP                        | With IR: 0 lux in color or monochrome mode<br>Without IR: 0.04 lux in color mode; 0.02 lux in monochrome mode | N/A   |
|  | 3.0 MP                        | With IR: 0 lux in color or monochrome mode<br>Without IR: 0.04 lux in color mode; 0.02 lux in monochrome mode | With IR: 0 lux in color or monochrome mode<br>Without IR: 0.03 lux in color mode; 0.015 lux in monochrome mode  |
|  | 5.0 MP                        | With IR: 0 lux in color or monochrome mode<br>Without IR: 0.02 lux in color mode; 0.01 lux in monochrome mode | With IR: 0 lux in color or monochrome mode<br>Without IR: 0.015 lux in color mode; 0.007 lux in monochrome mode |
| Horizontal Angle of View -<br>Based on Aspect Ratio      | 2.0 MP                        | (16:9)(4:3) 35° – 90°   | N/A   |
|  | 3.0 MP                        | (5:4) 33° – 85°   | (16:9) 10° – 32°; (5:4) 9.5° – 32°; (4:3) 9.5° – 30°  |
|  | 5.0 MP                        | (16:9)(4:3) 35° – 90°   | (16:9)(4:3) 9.5° – 30°  |
| Vertical Angle of View -<br>Based on Aspect Ratio        | 2.0 MP                        | (16:9) 20° – 49°  | N/A   |
|  | 3.0 MP                        | (5:4)(4:3) 26° – 66°  | (16:9) 6° – 17°; (5:4)(4:3) 7° – 23°  |
|  | 5.0 MP                        | (16:9) 20° – 49°; (4:3) 26° – 66°   | (16:9) 6° – 17°; (4:3) 7° – 23°   |
| Max Aperture   | F1.6                          |   | F1.4  |
| Control  | P-Iris, Remote Focus and Zoom |   |   |

| Image Control              |   |
|----------------------------|---|
| Image Compression Method   | H.264 SmartCodec, H.265 SmartCodec, Motion JPEG     |
| Streaming                  | Multi-stream H.264, Multi-stream H.265, Motion JPEG |
| Motion Detection           | Pixel   |
| Tamper Detection           | Yes   |
| Electronic Shutter Control | Automatic, Manual (1/6 to 1/8000 sec)               |
| Iris Control               | Automatic, Manual                                   |
| Day/Night Control          | Automatic, Manual                                   |
| Flicker Control            | 60 Hz, 50 Hz  |
| White Balance              | Automatic, Manual                                   |
| Backlight Compensation     | Adjustable  |
| Privacy Zones              | Up to 64 zones                                      |

| Auxiliary I/O            |                             |
|--------------------------|-----------------------------|
| Audio Compression Method | Opus, G.711 PCM 8 kHz       |
| Audio Input/Output       | Line level input and output |
| External I/O Terminals   | Alarm In, Alarm Out         |

# Specifications

| Network                     |  |
|-----------------------------|--|
| Network                     | 100BASE-TX   |
| Cabling Type                | CAT5   |
| Connector                   | RJ-45  |
| ONVIF                       | ONVIF compliant with Profile S and Profile T ( <a href="http://www.onvif.org">www.onvif.org</a> )                                  |
| Security                    | Password protection, HTTPS encryption, digest authentication, WS authentication, user access log, 802.1x port based authentication |
| Protocol                    | IPv6, IPv4, HTTP, HTTPS, SOAP, DNS, NTP, RTSP, RTCP, RTP, TCP, UDP, IGMP, ICMP, DHCP, Zeroconf, ARP                                |
| Streaming Protocols         | RTP/UDP, RTP/UDP multicast, RTP/RTSP/TCP, RTP/RTSP/HTTP/TCP, RTP/RTSP/HTTPS/TCP, HTTP  |
| Device Management Protocols | SNMP v2c, SNMP v3  |

| Peripherals     |  |
|-----------------|--|
| Onboard Storage | microSD/microSDHC/microSDXC slot – minimum class 6; class 10/UHS-1 or better recommended |

| Mechanical (Dome)      | Surface Mount   | In-Ceiling Mount                          | Pendant Mount NPT Adaptor                 | Pendant Mount NPT + Wall Mount             |
|------------------------|---|---|---|--|
| Dimensions (LxWxH)     | 147 x 147 x 119 mm;<br>5.8" x 5.8" x 4.7"                                       | 174 x 174 x 162 mm;<br>6.9" x 6.9" x 6.4" | 153 x 153 x 166 mm;<br>6.0" x 6.0" x 6.5" | 269 x 153 x 214 mm;<br>10.6" x 6.0" x 8.4" |
| Max. Ceiling Thickness | N/A   | 32 mm (1.25")                             | N/A                                       | N/A  |
| Weight                 | 0.78 kg; 1.72 lbs   | 0.77 kg; 1.69 lbs                         | 0.77 kg; 1.69 lbs                         | 2.04 kg; 4.49 lbs                          |
| Dome Bubble            | Polycarbonate, clear  |   |   |  |
| Body                   | Polycarbonate   |   |   | Polycarbonate/<br>aluminum                 |
| Housing                | Vandal resistant  |   |   |  |
| Finish                 | Cool grey   |   |   | Close to RAL 9003                          |
| Adjustment Range       | 360° pan, ±180° azimuth, 30° – 95° tilt (recommended), 10° – 95° tilt (maximum) |   |   |  |

| Mechanical (Bullet)       |   |
|---------------------------|---|
| Dimensions (LxWxH)        | 285 mm x 131 mm x 97 mm; 11.2" x 5.1" x 3.8" (including mounting bracket) |
| Weight (Camera)           | 1.29 kg (2.84 lbs)  |
| Weight (Mounting Bracket) | 0.21 kg (0.46 lbs)  |
| Body                      | Aluminum  |
| Housing                   | Surface mount, tamper resistant, vandal resistant                         |
| Finish                    | Powder coat, cool grey  |
| Adjustment Range          | ±175° pan, ±90° tilt, ±175° azimuth                                       |

| Electrical                 |                                    |
|----------------------------|------------------------------------|
| Power Consumption (Dome)   | 8W max                             |
| Power Consumption (Bullet) | 9W max                             |
| Power Source*              | PoE: IEEE802.3af Class 3 compliant |
| RTC Backup Battery         | 3V manganese lithium               |

\* When powered with some models of PoE++ injectors, the injectors may not power the camera correctly.

| Environmental         |                                     |
|-----------------------|-------------------------------------|
| Operating Temperature | -30 °C to +60 °C (-22 °F to 140 °F) |
| Storage Temperature   | -10 °C to +70 °C (14 °F to 158 °F)  |
| Humidity              | 0 - 95% non-condensing              |

| Certifications             |  |
|----------------------------|--|
| Certifications/ Directives | UL, cUL, CE, ROHS, RCM, EAC, BIS, KC   |
| Safety                     | UL 62368-1, CSA 62368-1, IEC/EN 62368-1, IEC 62471   |
| Environmental              | IEC 62262 IK10 Impact Rating, UL/CSA/IEC 60950-22, IEC 60529 IP66 and IP67 Weather Rating                      |
| Electromagnetic Emissions  | FCC Part 15 Subpart B Class B, IC ICES-003 Class B, EN 55032 Class B, EN 61000-6-3, EN 61000-3-2, EN 61000-3-3 |
| Electromagnetic Immunity   | EN 55035, EN 61000-6-1   |
| Industrial EMC             | EN 50130-4, EN 50121-4   |

# Ordering Information (Bullet)

| Model          | Product Code | MP  | WDR | Low light Technology | Lens         | IR | IP66 / IP67 | SmartCodec |
|----------------|--------------|-----|-----|----------------------|--------------|----|-------------|------------|
| BX-2MP-BO-S-IR | 650640       | 2.0 | ✓   | ✓                    | 3.1 - 8.4 mm | ✓  | ✓           | ✓          |
| BX-3MP-BO-T-IR | 651641       | 3.0 | ✓   | ✓                    | 9.5 - 31 mm  | ✓  | ✓           | ✓          |
| BX-5MP-BO-S-IR | 652640       | 5.0 | ✓   | ✓                    | 3.1 - 8.4 mm | ✓  | ✓           | ✓          |
| BX-5MP-BO-T-IR | 652641       | 5.0 | ✓   | ✓                    | 9.5 - 31 mm  | ✓  | ✓           | ✓          |

## Mounting Adaptors and Accessories

| Display Part Number | Product Code | Description                      |
|---------------------|--------------|----------------------------------|
| BO-JCT-BOX          | 150300       | Junction box for bullet cameras  |
| POLE-MNT            | 150506       | Aluminum pole mounting bracket   |
| CRNR-MNT            | 150507       | Aluminum corner mounting bracket |

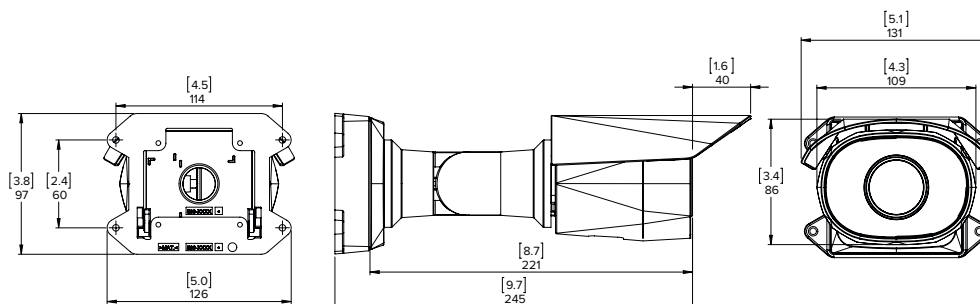
# Outline Dimensions (Bullet)

|       |        |
|-------|--------|
| [X.X] | INCHES |
| X     | MM     |

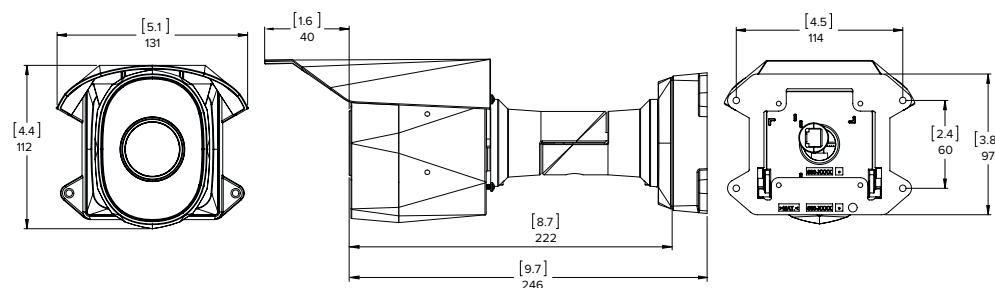
## Bullet Camera

BX-BO

LANDSCAPE MODE

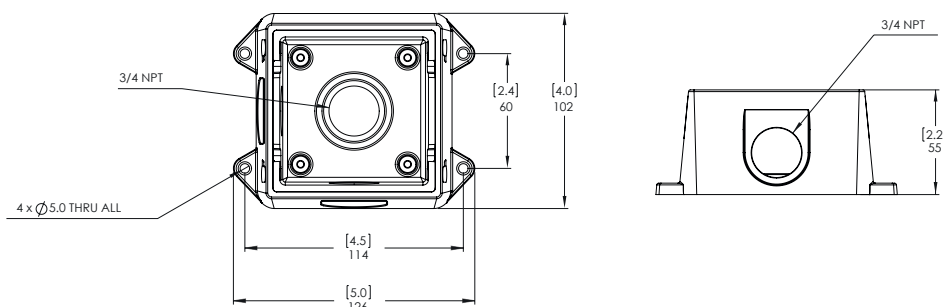


CORRIDOR MODE







## Bullet Camera Junction Box

BO-JCT-BOX



# Ordering Information (Dome)

The variety of mounting options for the BX dome camera provides maximum flexibility. All the available camera modules can be used in any of the mounting options.

| Mounting Scenario  | Ordering Information  |
|--|---|
| <b>SURFACE MOUNT</b><br>        | Order one of: <ul style="list-style-type: none"> <li>Camera</li> </ul>  |
| <b>IN-CEILING MOUNT</b><br>     | Order one of: <ul style="list-style-type: none"> <li>Camera</li> <li>BX-AD-CEIL</li> <li>Optional, UX-BX-DC-CPNL if ceiling panel needed</li> </ul>   |
| <b>PENDANT NPT MOUNT</b><br>    | Order one of: <ul style="list-style-type: none"> <li>Camera</li> <li>BX-DP-NPTA-MNT</li> </ul>  |
| <b>PENDANT WALL MOUNT</b><br> | Order one of: <ul style="list-style-type: none"> <li>Camera</li> <li>BX-DP-NPTA-MNT</li> <li>BX-DP-WALL-MNT</li> <li>Optional, POLE-MNT or CRNR-MNT if pole or corner mount needed</li> </ul> |

| Model          | Product Code | MP  | WDR | Low light Technology | Lens         | IR | IP66 / IP67 | SmartCodec |
|----------------|--------------|-----|-----|----------------------|--------------|----|-------------|------------|
| BX-2MP-DO-S-IR | 650440       | 2.0 | ✓   | ✓                    | 3.1 - 8.4 mm | ✓  | ✓           | ✓          |
| BX-5MP-DO-S-IR | 652440       | 5.0 | ✓   | ✓                    | 3.1 - 8.4 mm | ✓  | ✓           | ✓          |

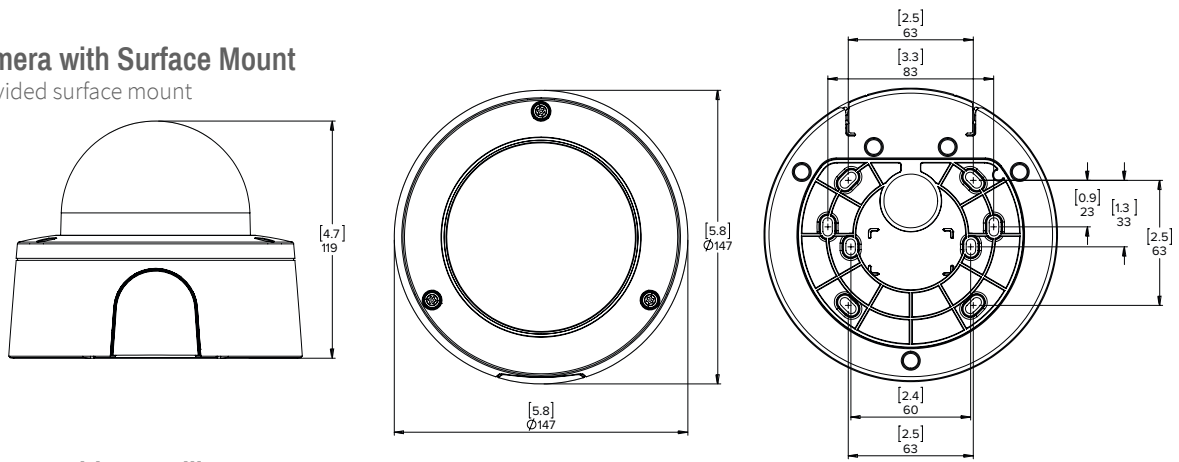
## Mounting Adapters and Accessories

| Display Part Number | Product Code | Description  |
|---------------------|--------------|--|
| BX-AD-CEIL          | 150255       | In-ceiling mounting adapter for the BX dome camera |
| BX-DP-NPTA-MNT      | 150504       | NPT adapter for the BX dome camera                 |
| BX-DP-WALL-MNT      | 150505       | Pendant wall mount                                 |
| UX-BX-DC-CPNL       | 150259       | Metal ceiling panel                                |
| POLE-MNT            | 150506       | Aluminum pole mounting bracket                     |
| CRNR-MNT            | 150507       | Aluminum corner mounting bracket                   |
| BX-DO-COVR-SMK      | 150412       | Replacement smoke dome cover                       |
| BX-DO-COVR-CLR      | 150413       | Replacement clear dome cover                       |
| BX-DO-AD-SMT        | 150256       | Replacement surface mount adapter                  |

# Outline Dimensions (Dome)

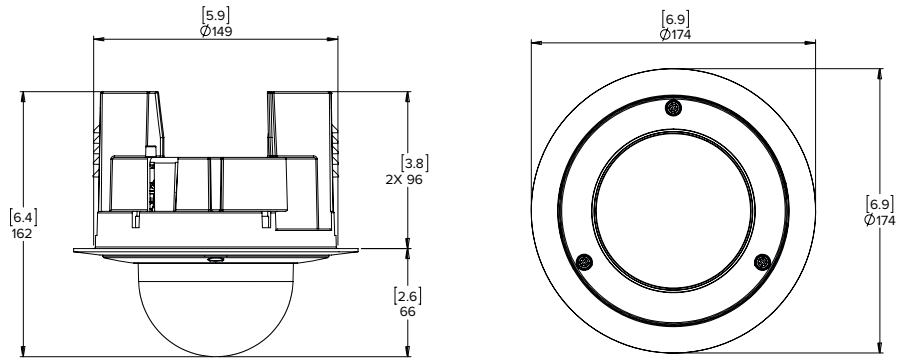
## Dome Camera with Surface Mount

BX-DO + provided surface mount



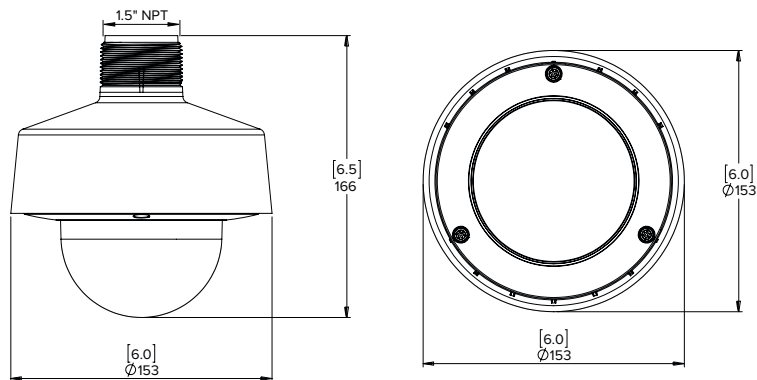
## Dome Camera with In-Ceiling Mount

BX-DO + BX-AD-CEIL



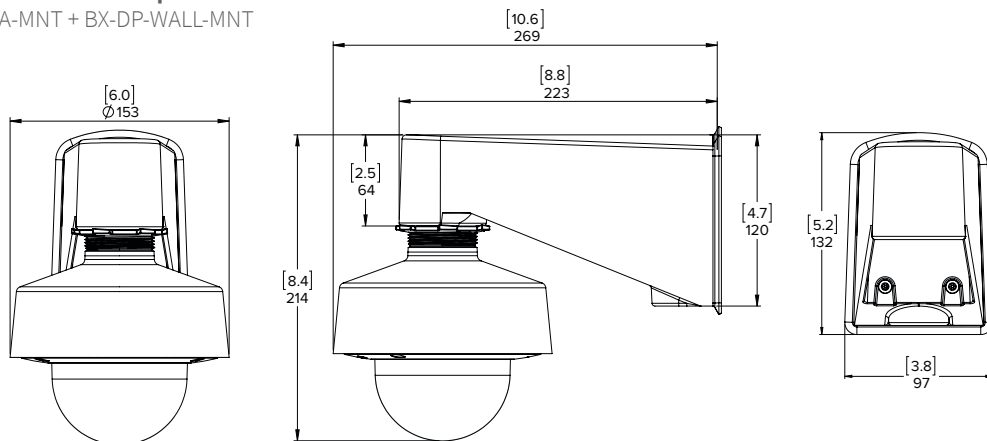
## Dome Camera with NPT Adapter

BX-DO + BX-DP-NPTA-MNT



## Dome Camera with NPT Adapter and Pendant Wall Mount

BX-DO + BX-DP-NPTA-MNT + BX-DP-WALL-MNT



ID: BXRNG 21.1 FEB 21