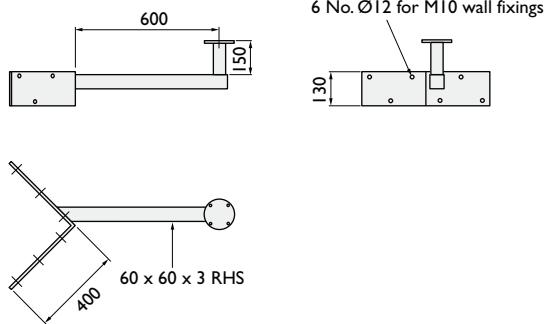


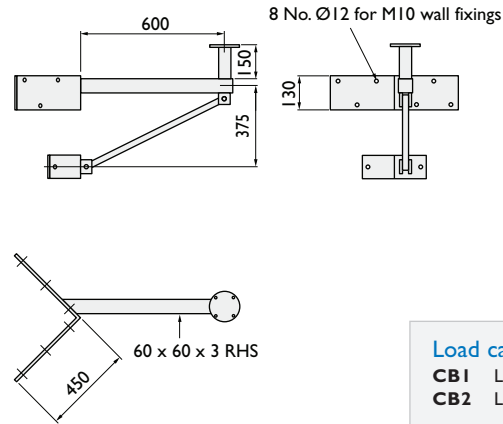
● Stock items

Corner Wall Mounting Brackets

- **CBI**
Standard corner wall bracket

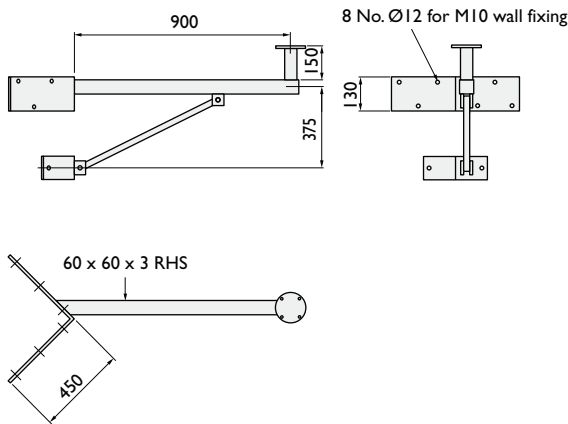


- **CB2**
Heavy duty corner wall bracket

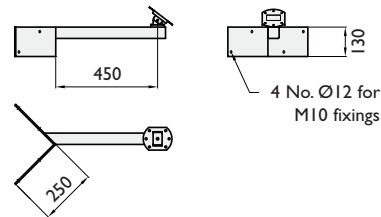


Load capacities
CBI Load capacity 25kgs
CB2 Load capacity 40kgs

- **CB2-900**
Extended corner wall bracket

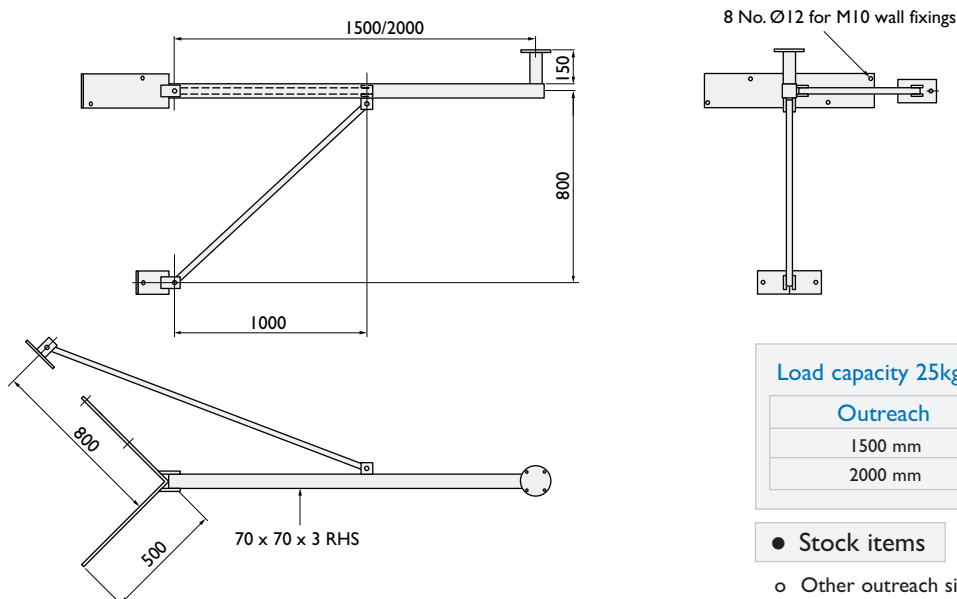


- **CBI-F**
Fixed camera corner wall bracket



Load capacities
CB2-900 Max load capacity 25kgs
CBI-F Load capacity **PTS-I** 10kgs
HAS-I 20kgs

- **AW1705/C**
Extended corner wall bracket



Load capacity 25kgs

Outreach	Part No.
1500 mm	● AW1705/1.5/C
2000 mm	AW1705/2/C

● Stock items

- Other outreach sizes made to order
- Also available for dome mounting

All brackets for camera mounting have a Ø127 mounting plate with Ø8.5 holes equi - spaced on 101.6 PCD