

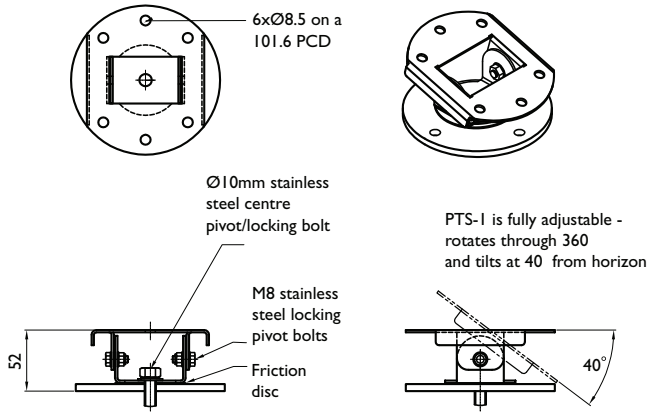
● Stock items

## TB Brackets & Fixed Camera Knuckles

### ● PTS-I

#### Standard fixed camera knuckle

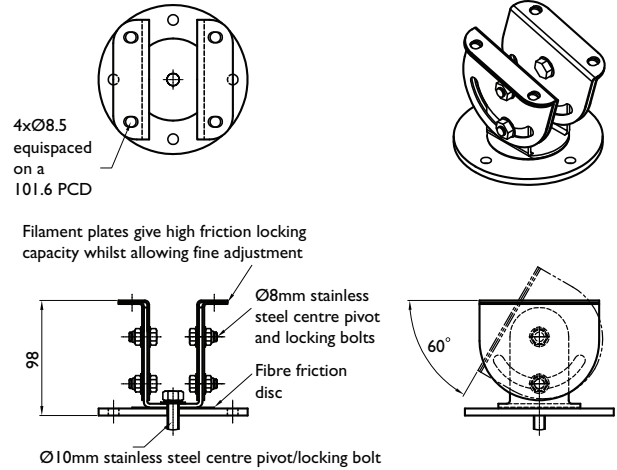
- Load rating 10Kgs
- General duty adjustable knuckle for mounting fixed cameras - robust & economic



### ● HAS-I

#### High specification fixed camera knuckle

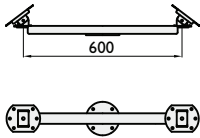
- Load rating 25Kgs
- High specification adjustable knuckle where fine adjustment and a solid platform are required to ensure accurate reliable camera alignment



As standard, TB brackets are supplied with PTS-I knuckles. Brackets supplied with HAS-I knuckles fitted as option

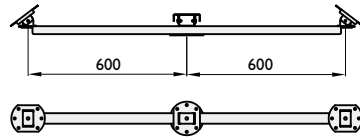
### ● TB2-600F

#### Twin fixed



### ● TB3-600F

#### Triple fixed



Knuckles mounted on TB bracket arms



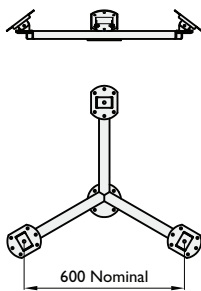
PTS-I



HAS-I

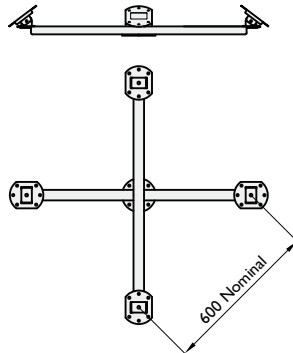
### ● TB3-600FM

#### Triple fixed manx



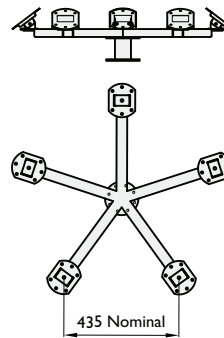
### ● TB4-600F

#### Quadruple fixed



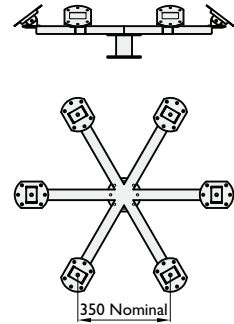
### ● TB5-600F

#### Five way fixed



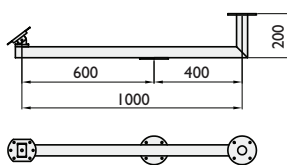
### ● TB6-600F

#### Six way fixed



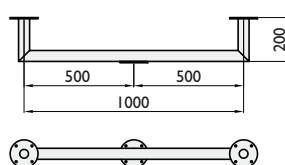
### ● TB2-1000SF/SPT

#### Single fixed & PTZ



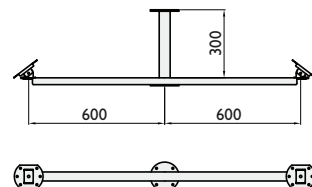
### ● TB2-1000

#### Twin PTZ



### ● TB3-600 SPT/TF

#### Twin fixed/single PTZ



All brackets for camera mounting have a Ø127 mounting plate with Ø8.5 holes equi - spaced on 101.6 PCD