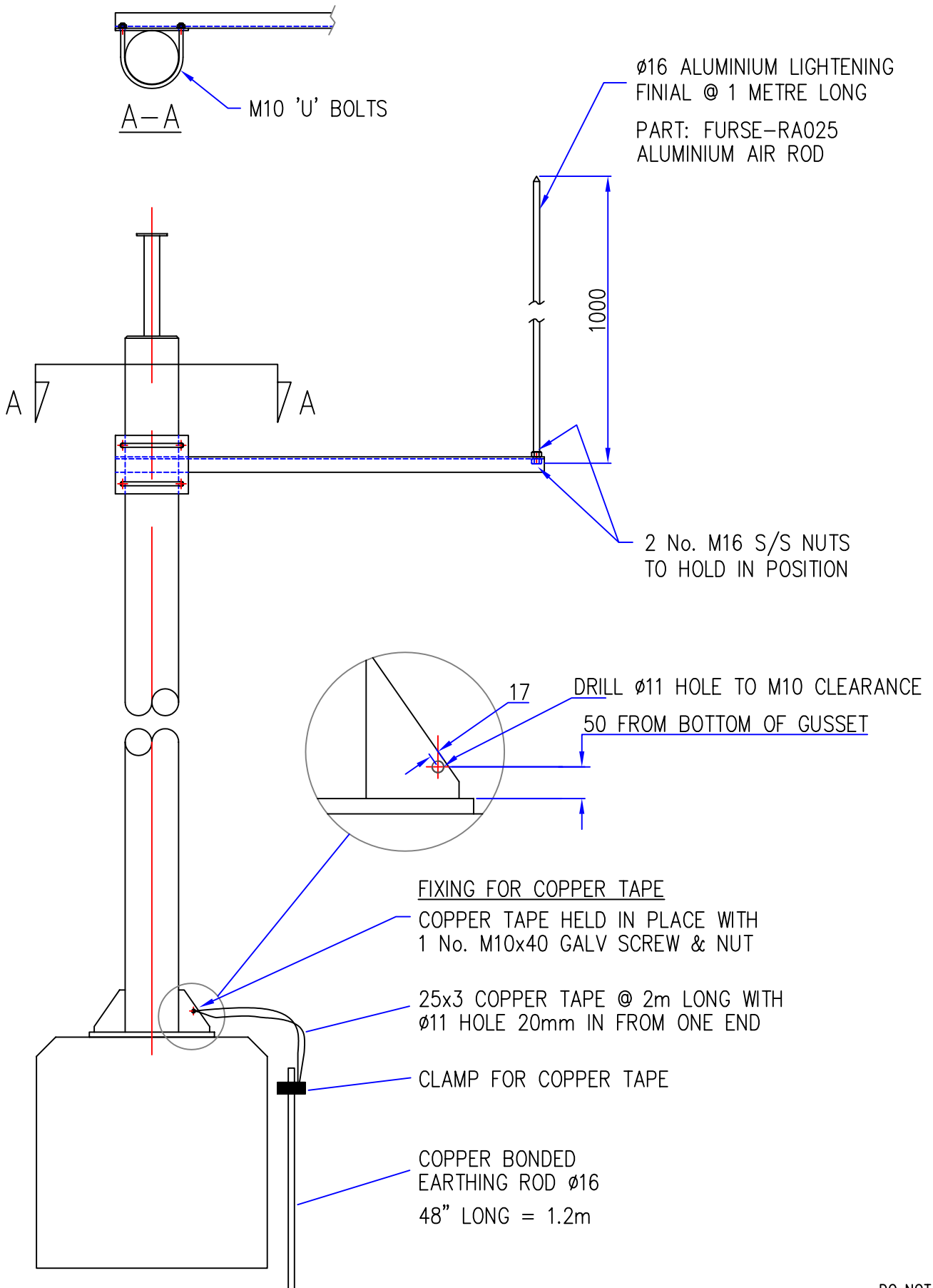


CLIENT	STD PRODUCT
ISSUE	AMMENDMENT

3rd ANGLE PROJECTION 

All rights are strictly reserved and copying or disclosure in part or full to a third party is strictly forbidden without the written consent of ALTRON COMMUNICATIONS EQUIPMENT LTD.

IF IN DOUBT ASK ALL ERRORS TO BE REPORTED




DIMENSIONS IN mm UNLESS OTHERWISE STATED © ALTRON COMMUNICATIONS EQUIPMENT LTD.

ALL RIGHTS RESERVED DO NOT SCALE

TITLE			
LIGHTNING PROTECTION FOR ELECTRICALLY CONTINUOUS GALVANISED TOWERS			
DRAWN	MATERIAL	FINISH	
SW	AS STATED	GALVANIZE TO ISO 1461	

ALTRON COMMUNICATIONS EQUIPMENT LTD  
 TOWER HOUSE  
 PARC HENDRE  
 AMMANFORD SA18 3SJ  
 TEL: (01269) 831431  
 FAX: (01269) 845348  
 e-mail: comms@altron.co



PRODUCT	DATE
	MAY 06
DWG. No.	
4101-1	-