


CLIENT	STD PRODUCT
ISSUE	AMMENDMENT

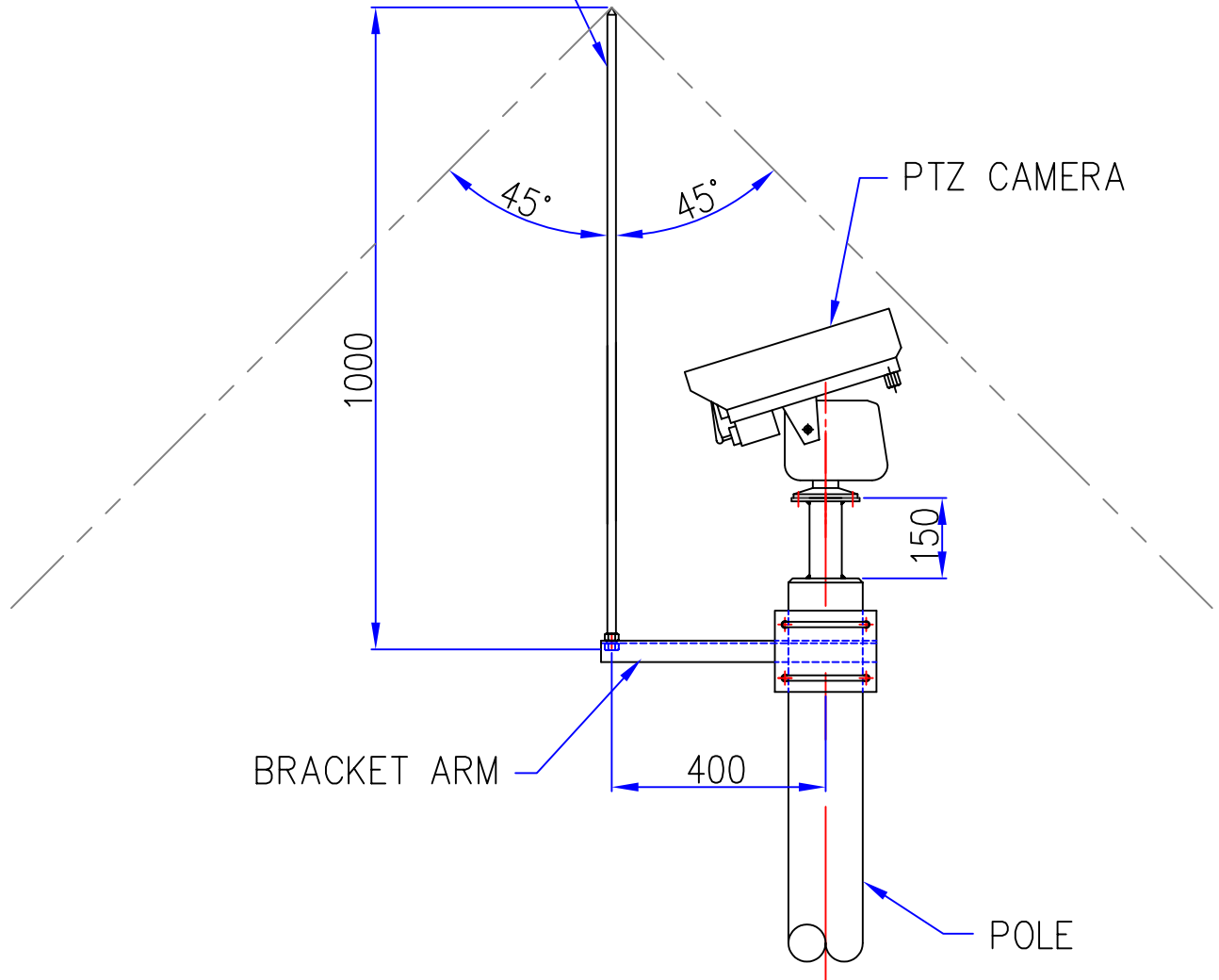
3rd ANGLE PROJECTION 

All rights are strictly reserved and copying or disclosure in part or full to a third party is strictly forbidden without the written consent of ALTRON COMMUNICATIONS EQUIPMENT LTD.

IF IN DOUBT ASK ALL ERRORS TO BE REPORTED

Ø16 ALUMINIUM LIGHTENING
FINIAL @ 1 METRE LONG

PART: FURSE-RA025
ALUMINIUM AIR ROD



DIMENSIONS IN mm UNLESS OTHERWISE STATED © ALTRON COMMUNICATIONS EQUIPMENT LTD.

ALL RIGHTS RESERVED DO NOT SCALE

TITLE			
LIGHTNING PROTECTION FOR ELECTRICALLY CONTINUOUS GALVANISED POLES			
DRAWN	CAD RELEASE-1	MATERIAL	FINISH
SW		AS STATED	GALVANIZE TO ISO 1461

ALTRON COMMUNICATIONS EQUIPMENT LTD
TOWER HOUSE
PARC HENDRE
AMMANFORD SA18 3SJ
TEL: (01269) 831431
FAX: (01269) 845348
e-mail: comms@altron.co



PRODUCT	DATE
	JULY 06
DWG. No.	
4101-2	-