

### AEM/SHEAR Range Mortice Shear Electro-Magnetic Locks

***AEM/SHEAR mortice shear electro-magnetic locks provide a stronger holding force due to a central shear pin. They can be installed on various kinds of doors, such as aluminium, wooden, steel or exit doors.***

Designed for flush fixing into the frame and door with optional surface housing for narrow door thickness. In the event of a power failure the lock will release (fail safe option). There is also an adjustable 1-6sec timer to allow the door to close before the power is applied



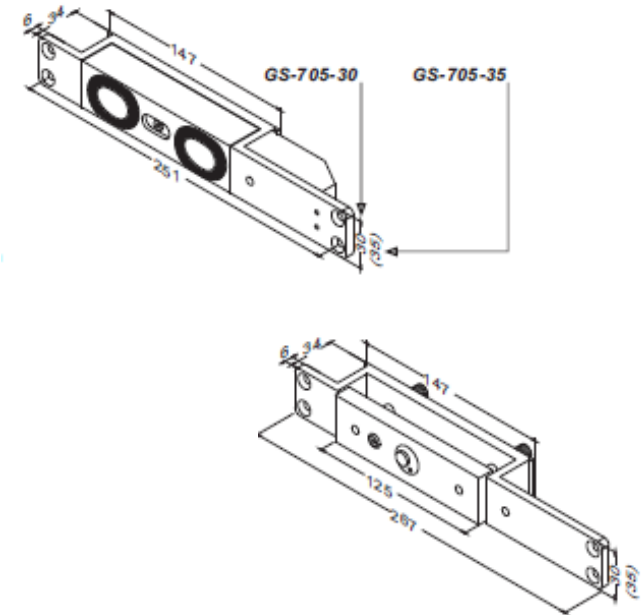
#### Features & Benefits

- Holding force up to 2,200lbs
- 12/24V DC Input voltage
- Powerful shear holding force provides high security
- Suitable for single or double swing doors
- Optional housing for surface mount installation
- Horizontal or vertical installation
- Anti-residual magnetism design

Stock Code	Description
AEM/SHEAR-30	GS705-30 Mortice Shear Electro-Magnetic Lock 12/24V (Monitored) – 30mm Wide
AEM/SHEAR-35	GS705-35 Mortice Shear Electro-Magnetic Lock 12/24V (Monitored) – 35mm Wide
AGS705/SUR	Surface Housing to suit AEM/SHEAR

## AEM/SHEAR Range Mortice Shear Electro-Magnetic Locks

Technical Information	
Operating Voltage	12-24V DC
Current Draw	12V DC – Pull in:1.9A, Holding: 0.55A (Note: Min 3A PSU Required) 24V DC – Pull in:1.2A, Holding: 0.35A (Note: Min 2A PSU Required)
Magnetic Bond Sensor Monitor Output	(SPDT rated 1A/30V DC) Indicates the locked or unlocked status Locking time delay: 1-6 seconds adjustable
Operating Temperature:	-30°C~+55°C Humidity: 0~95% non-condensing.
Shear Holding Force:	AEM/SHEAR-30 – 2000lbs, AEM/SHEAR-35 – 2,200lbs
Special finishes for magnet and armature plate	Zinc plated
Door Gap (Between the lock and armature plate)	3mm (1/8") maximum. (Between the lock and armature plate housing)
Net Weight	AEM/SHEAR-35: 2.2Kg, AEM/SHEAR-30: 1.8Kg



For further information contact:

**Securefast plc**  
6, The Cedars Business Centre  
Avon Road, Cannock  
Staffordshire  
WS11 1QJ



**Call** > +44 (0) 1704 502 801

**Email** > sales@securefast.co.uk

**Visit** > www.securefast.co.uk