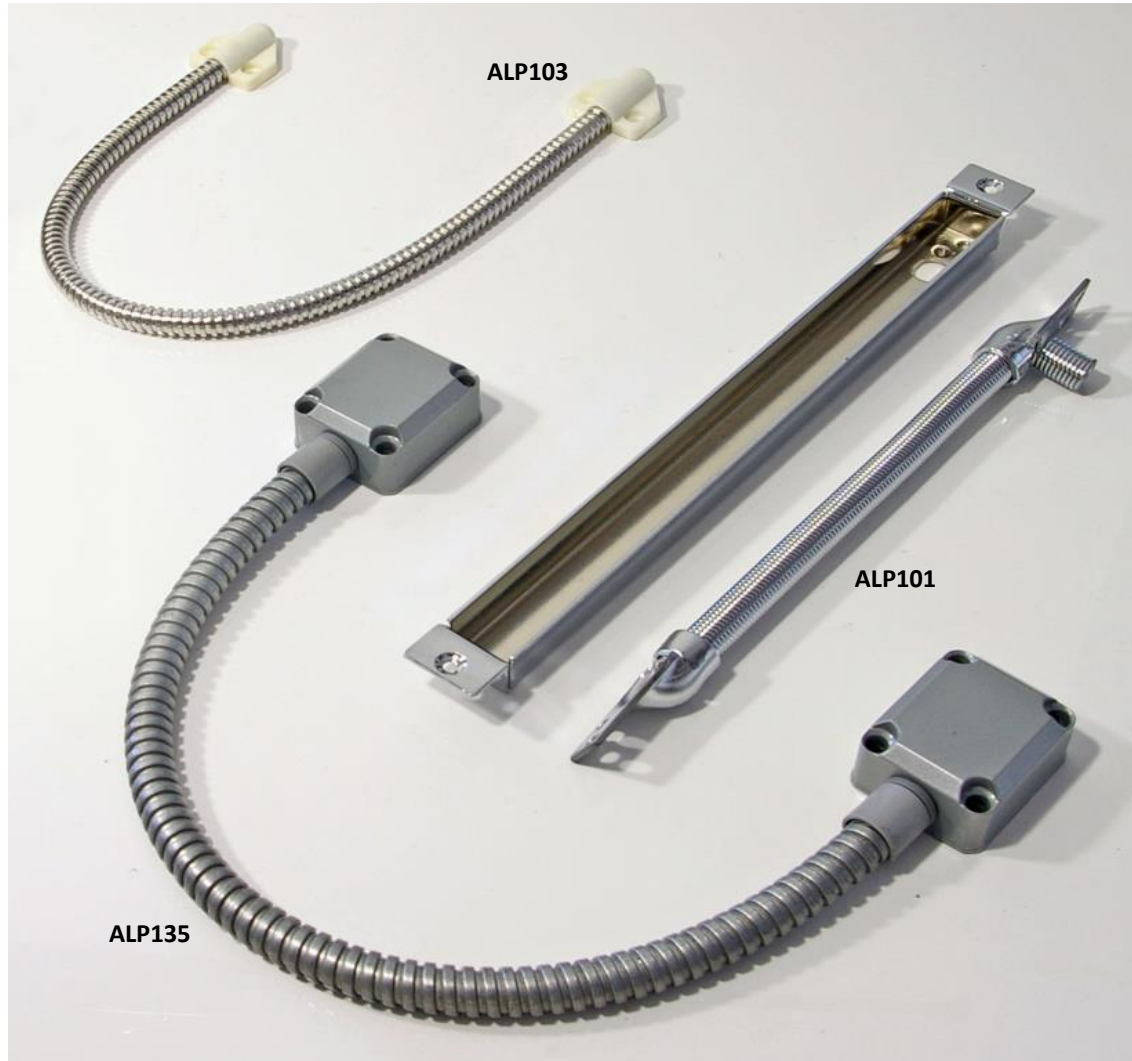


Door Loops



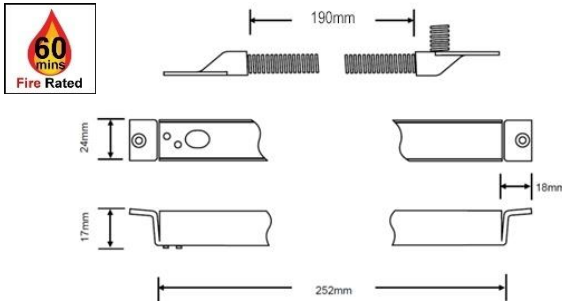
Securefast door loops allow you to transfer cable from the frame to the door conveniently and safely either with the concealed or surface mounted loop.

They are suitable for single action doors on either single or double door leaf applications.



Image shows the ALP101 in the mortise of a door.

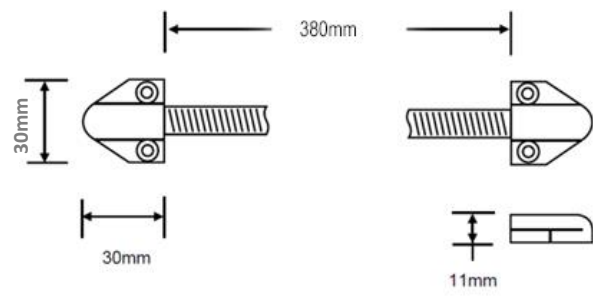
Door Loops



60 mins Fire Rated

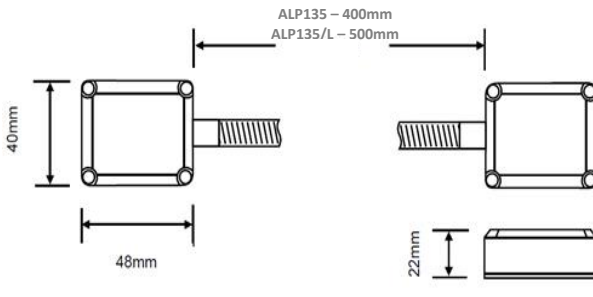
ALP101 – Concealed fixed timber door & frame

- Fire Rated for 30/60min timber doors
Report No. WF 341521 - Dated 29th August 2014
- Steel case
- Metal sprung loop – Ext: 12mm Int: 8mm
- 190mm flexible metal spring (Max 8mm dia cable)
- Polished chrome plated finish
- Enables the transfer of cable between the door/frame



ALP103 – Surface mounted

- Plastic end caps
- Flexible metal loop – Ext: 10mm Int: 7mm
- 380mm flexible metal loop (for Max 7mm dia cable)
- Designed to transfer cable between door/frame
- Suitable for low traffic areas



ALP135 (ALP135/L) – Surface mounted

- Die cast aluminium end caps
- Armoured metal loop – Ext: 13mm Int: 8mm
- ALP135 has 400mm metal loop (for max 8mm dia cable)
- ALP135/L has 500mm metal loop (for max 8mm dia cable)
- Designed to transfer cable between door/frame
- Suitable for medium to high traffic areas

Codes	Descriptions
ALP101	Concealed Door Loop (for Timber Door/Frame)
ALP103	Budget Surface Door Loop (Silver Loop with White Plastic Brackets)
ALP135	Surface Armoured Door Loop (Silver Loop with Die Cast Aluminium Brackets) 400mm Loop
ALP135/L	Surface Armoured Door Loop (Silver Loop with Die Cast Aluminium Brackets) 500mm Loop

For further information contact:

Securefast plc
6, The Cedars Business Centre
Avon Road, Cannock
Staffordshire
WS11 1QJ



Call > +44 (0) 1704 502 801

Email > sales@securefast.co.uk

Visit > www.securefast.co.uk