

# LG SOUNDER

## Battery Powered Sounder

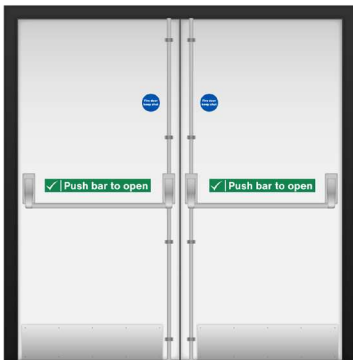
Powered by 4 x 1.5v alkaline batteries, the LG SOUNDER will emit an alarm sound up to 117 decibels together with a flashing beacon. There are 32 alarm sounds to choose from and there is an adjustable timer that silences the sounder after activation.

This product can be used with alarm devices that have volt free contacts, or push buttons and door contacts to make a simple panic alarm or fire door alarm. To aid external perimeter security the LG SOUNDER will work with our wireless OCULI PIR Camera to provide visual verification and sounder alert to intruders. For larger perimeters the LG SOUNDER can be activated by IR beams to give a layered approach to any security solution.

Available in red or blue.

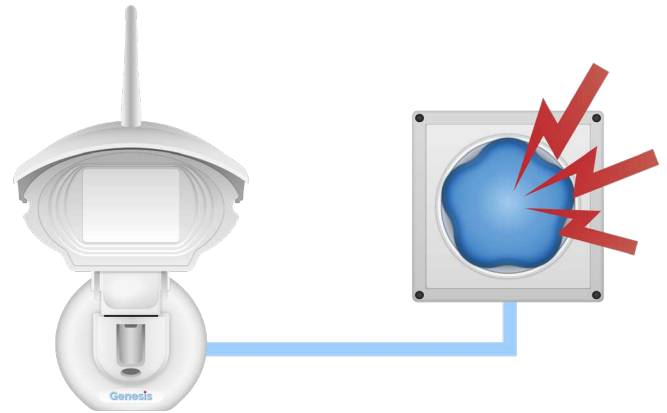


### Example Battery-Powered Solutions



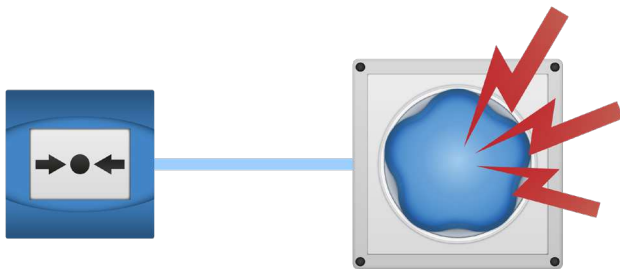
#### Fire Door Alarm

Alarm will sound when the door is opened. Option to time out or be continuous until door is closed.



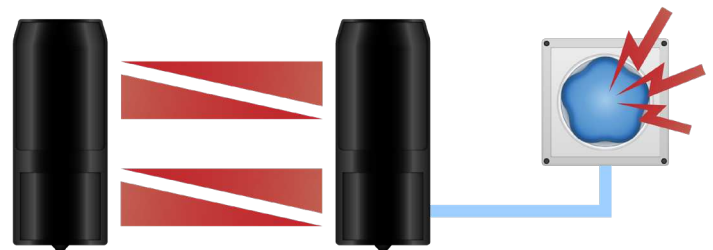
#### PIR Detector with Sounder

Alarm will sound when movement is detected during the arming period.



#### Simple Panic Alarm

Alarm will sound when button is pressed. Adjustable timeout period.



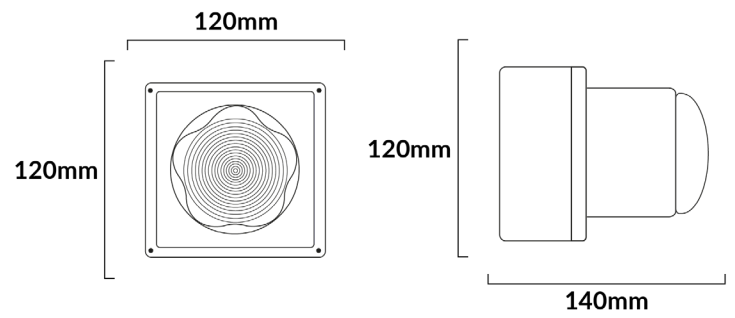
#### Active Infrared Beams

Battery-powered point-to-point beams activate the sounder. Adjustable timeout period.

## Technical Specifications

Power Requirements	4 x 1.5v 7.8Ah batteries (supplied)
Battery Life	25 hours continuous sounder/beacon operation
Alarm Input	Volt-free momentary closing contact
Timer Range	3 seconds to 3 minutes (adjustable)
Decibel Level	Sounder adjustable from 86-117dBa
Sounds	32 sound options to choose from
Temperature Range	-10°C to +60°C
Weather Rating	IP66
Housing	UV stable ABS

## Dimensions



## Works With:

### Genesis



### OCULi HD



### Boundary Shield

