



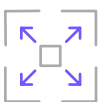
# BULLET



Available in wide and tele lenses for flexible coverage



Simple to install with innovative sliding body design and easy onboarding



Dynamic resolution up to 4K



Built-in AI video and audio analytics and on-device storage



Factory-installed certificates backed by a trusted platform module (TPM)



Designed and developed in Norway and the UK

**Image sensor**

8MP (4K) or 5MP

**Image sensor size format**

1/1.8"

**Lens (wide)**

Focal length: 4.3-10.8mm

Aperture:  $f/1.38$ - $f/2.8$

Zoom

**Lens (tele)**

Focal length: 11-28mm

Aperture:  $f/1.47$ - $f/1.69$

Zoom

**Zoom**

2.5x

**IR night vision**

Automatic night mode

IR-cut filter

850 nm IR LED

**Color night vision\***

\*To be confirmed

**Field of view (wide)**

100°-40° Horizontal

53°-23° Vertical

**Field of view (tele)**

39°-16° Horizontal

23°-9° Vertical

**Maximum resolution & Frame rate 8MP (4K)**

3840x2160@30fps

**Maximum resolution & Frame rate 5MP**

3072x1728@30fps

**Dynamic range**

Multi-exposure line-based HDR

**Audio**

Microphone array (4x microphones)

Audio classification

Audio localization

**Security**

Trusted Platform Module (TPM 2.0), Factory installed certificates, No default passwords, Mandatory access authentication, HTTPS/TLS encryption

**Video compression**

H.265, H.264, Motion JPEG

**Network protocols**

IPv4, HTTPS, TLS, DNS, mDNS, DNS-SD,

NTP, RTSP, RTP, RTCP, ICMP, DHCP, ARP

Streaming: RTP/UDP, RTP/RTSP/HTTPS/TCP

**Power source**

PoE+ (802.3at Type 2), normal operation

PoE (802.3 af), without heat and IR

USB-C, installation only

**Power consumption**

Typical: 5 W

Max without heater, with IR: 12.95 W

Max with heater: 23 W

**Storage**

2x MicroSD, SDXC UHS-I

**Connection**

802.3u 10/100 Ethernet

USB-C for preview and setup

**Installation aid**

Versatile bracket, mounts to standard back boxes. Refer to technical drawing.

**Adjustment range**

Pan, Tilt, Roll

**Impact resistance**

IK10 (IEC/EN 62262)

**Ingress protection**

IP66, IP67 (IEC/EN 60529)

**Temperature**

Operating: -25°C to +50°C

Storage: -40°C to +60°C

**Physical characteristics**

Dimensions: 284x86x108mm

Weight: 1.33 kg

Body: Aluminum

**EMC**

EN55032, EN 61000-6-4, EN 61000-3-2, EN

61000-3-3, EN50130-4 CISPR 32, AS/NZS

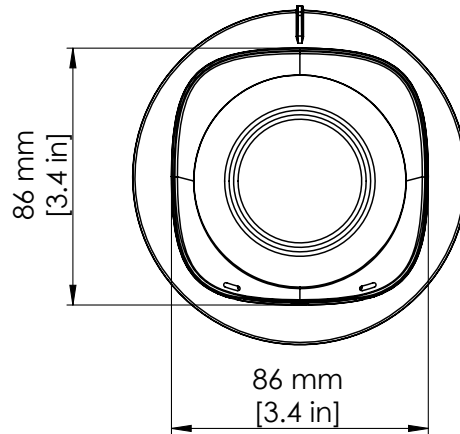
CISPR 32, FCC subpart 15B, ICES-003 Issue 7

**Safety**

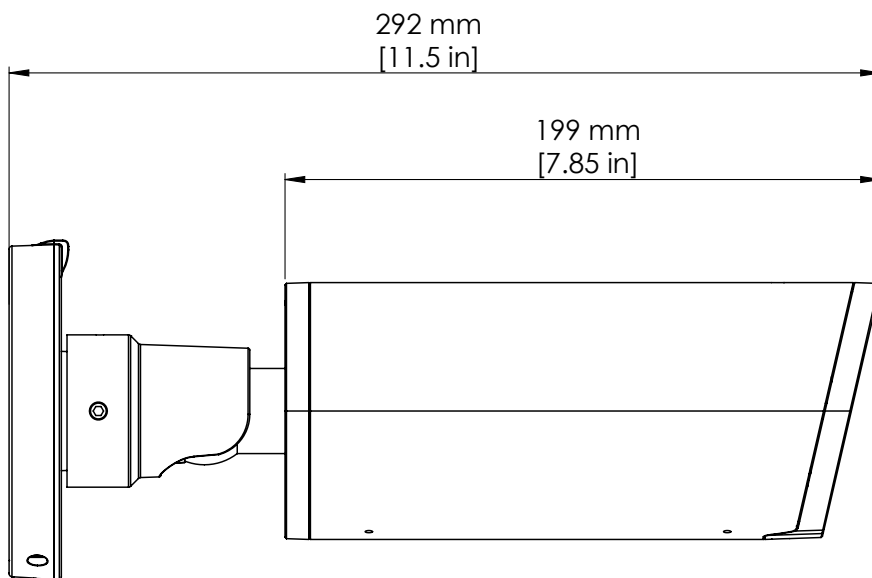
IEC62368-1, UL62368-1, IEC62471, NOM-019

# Technical drawings

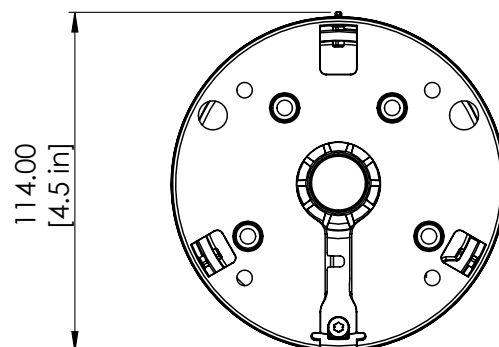
## Front view



## Side view



## Rear view



# Ordering information

## Ava Bullet Tele

Product ID	Resolution	Onboard retention	Color
BULLET-TE-W	4K	No. Cloud Connector required	White
BULLET-TE-W-4K-30	4K	30 days	White
BULLET-TE-W-4K-60	4K	60 days	White
BULLET-TE-W-5MP	5MP	No. Cloud Connector required	White
BULLET-TE-W-5MP-30	5MP	30 days	White
BULLET-TE-W-5MP-60	5MP	60 days	White
BULLET-TE-W-5MP-120	5MP	120 days	White
BULLET-TE-B	4K	No. Cloud Connector required	Black
BULLET-TE-B-4K-30	4K	30 days	Black
BULLET-TE-B-4K-60	4K	60 days	Black
BULLET-TE-B-5MP	5MP	No. Cloud Connector required	Black
BULLET-TE-B-5MP-30	5MP	30 days	Black
BULLET-TE-B-5MP-60	5MP	60 days	Black
BULLET-TE-B-5MP-120	5MP	120 days	Black

# Ordering information

## Ava Bullet Wide

Product ID	Resolution	Onboard retention	Color
BULLET-WI-W	4K	No. Cloud Connector required	White
BULLET-WI-W-4K-30	4K	30 days	White
BULLET-WI-W-4K-60	4K	60 days	White
BULLET-WI-W-5MP	5MP	No. Cloud Connector required	White
BULLET-WI-W-5MP-30	5MP	30 days	White
BULLET-WI-W-5MP-60	5MP	60 days	White
BULLET-WI-W-5MP-120	5MP	120 days	White
BULLET-WI-B	4K	No. Cloud Connector required	Black
BULLET-WI-B-4K-30	4K	30 days	Black
BULLET-WI-B-4K-60	4K	60 days	Black
BULLET-WI-B-5MP	5MP	No. Cloud Connector required	Black
BULLET-WI-B-5MP-30	5MP	30 days	Black
BULLET-WI-B-5MP-60	5MP	60 days	Black
BULLET-WI-B-5MP-120	5MP	120 days	Black