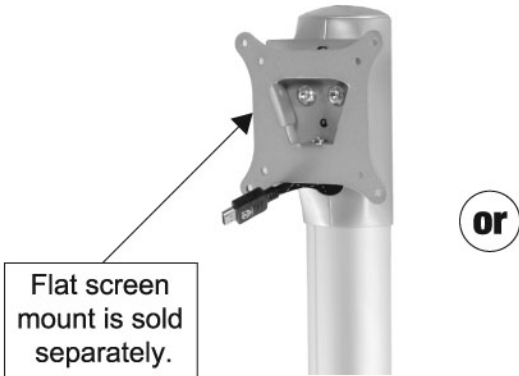




BT7075

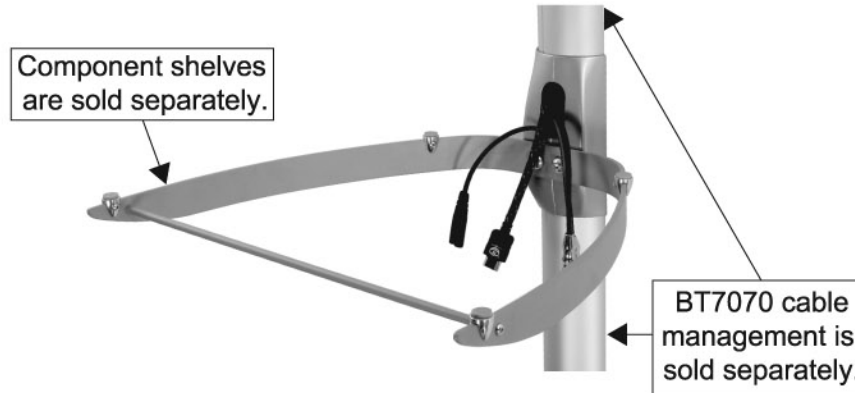
MODULAR WALL PLATE

ASSEMBLY AND INSTALLATION



The BT7075 can be used in conjunction with B-Tech modular flat screen mounts.

OR

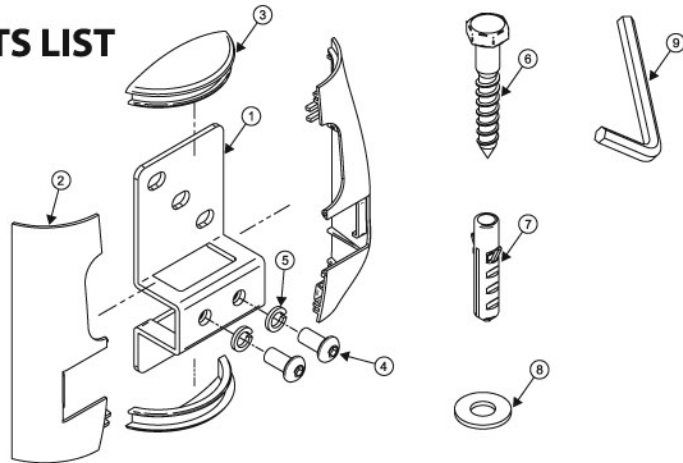


The BT7075 can be used in conjunction with component shelves and BT7070 cable management system.



Compatible with flat screen mounts, component shelves and cable management system.

PARTS LIST



No	PART NAME	QTY
1	WALL PLATE	1
2	WALL PLATE COVER HALF	2
3	END CAP (OPTIONAL)	2
4	M8 X 16.5 ALLEN SCREW <small>(USE WITH BT7036, BT7037, BT7038, BT7510, BT7511, BT7521 & BT7522 ONLY)</small>	2
5	M8 SPRING WASHER (FOR PART 4)	2
6	M8 X 50 COACH SCREW	4
7	No 10 WALL PLUG (FOR PART 6)	4
8	M8 OD19 T1.6 WASHER (FOR PART 6)	4
9	5mm ALLEN KEY (FOR PART 4)	1

IMPORTANT

- Can also be used in conjunction with B-Tech flat screen wall mounts: BT7510, BT7511, BT7521 and BT7522.
- The BT7075 is designed to wall mount B-Tech component shelves: BT7030, BT7036, BT7037, BT7038 and BT7040.
- Designed to integrate with the B-Tech cable manager system for smart AV installations.
- **Do not exceed weight limit of the mount to be attached.**

Important Safety Instructions:

Do not install this product until the instructions and warnings have been read and understood thoroughly.

Please keep these instructions for future reference.

B-Tech International Ltd recommends that this product should be installed by a professional. If you do not understand the instructions, or are not sure how to install this product, please contact a professional for advice and / or to install this mount. Failure to mount this shelf correctly may lead to serious injury and / or death. Please pay careful attention to where this mount is located. Some walls are not suitable for installation. If you install this mount on drywall it must be anchored into a wood stud, concrete block or brick behind the drywall. It is not suitable for securing to steel studs or weak concrete / brick. Installing on drywall alone will not support the weight of AV equipment. Ensure sufficient space and safety distance is allowed when installing this product. If installing in a public area, or over the likely path of pedestrians, this product should be mounted as far as possible from the public / pedestrians. When drilling holes it is particularly important to take care of electrical cables, water or gas pipes in the wall. It is important that all fixing screws supplied are used. If the fixing screws included are not sufficient for the wall you are mounting this product on, please consult your local hardware store. The device placed must not exceed weight limit of the mount to be attached.

This mount must be mounted on a wall horizontally. Proper attention should be paid when laying the connecting cables so that they do not cause a hazard. It is recommended that periodic inspections are made of the mount to ensure that there is no change to the fixings or mount. When cleaning the mount, use dry cloth only. B-Tech International Limited, its distributors and dealers are not liable or responsible for damage or injury caused by improper installation, improper use or failure to observe these safety instructions. In such cases any guarantee will expire.

© COPYRIGHT 2008 For more information on B-Tech Audio Video Mounts please visit: www.btechavmounts.com

B-Tech International Limited / Long March, Daventry, Northants, NN11 4NR, U.K. / Email: info@b-tech-int.com

B-Tech Audio Video Mounts / Sparks, NV, 89431, U.S.A / Email: info@btechavmounts.com

BT7075

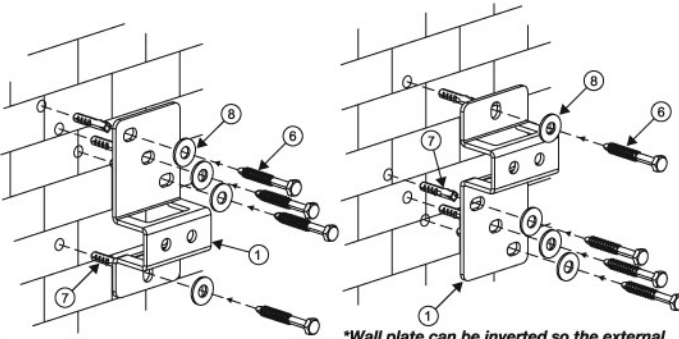
MOUNTING INSTRUCTIONS

BT7075 is compatible with B-Tech component shelves and B-Tech modular flat screen mounts.

1 Choose location for BT7075 wall mount.

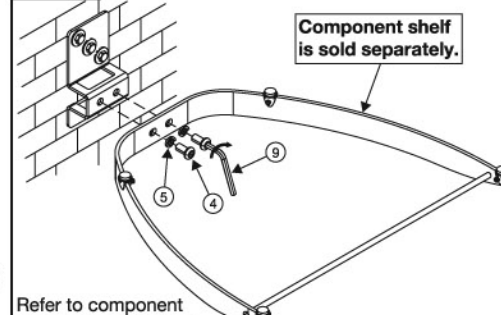
Depending on the wall (concrete / wood stud etc.), it is necessary to drill suitable sized plug / pilot-holes beforehand. Put the wall plate (**part 1**) against the wall, mark through the desired centre positions of the holes to be drilled. Mount the wall plate on the wall using coach screws (**part 6**) and washers (**part 8**). The bracket should be mounted to a stud (a "stud locator" will help) or to a concrete / brick wall, if the location is a concrete / brick wall, then it will be necessary to use the provided wall plugs (**part 7**).

Please pay careful attention to where this mount is located. Some walls are not suitable for installation. If you install this wall mount on drywall it must be anchored into a wood stud, concrete block or brick behind the drywall. Installing on drywall alone will not support the weight of AV equipment. When drilling holes it is particularly important to avoid contact with electrical cables, water or gas pipes in the wall. It is important that all mounting screws supplied are used.



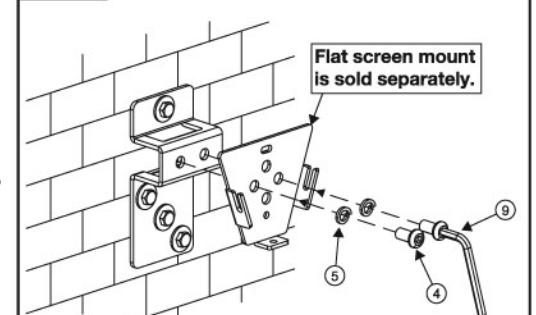
**Wall plate can be inverted so the external cable hole is below the mount. This can be useful when mounting a flat screen.*

2a Mount the component shelf on the BT7075 wall plate.

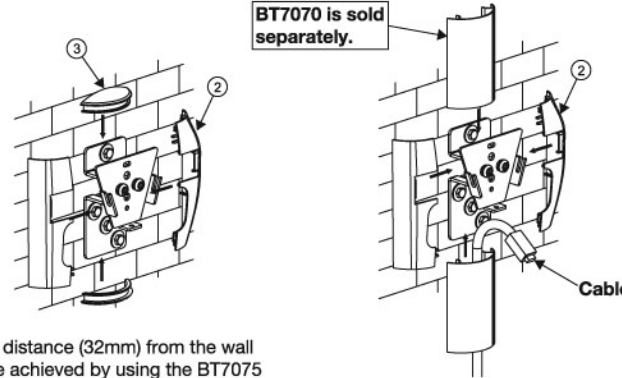
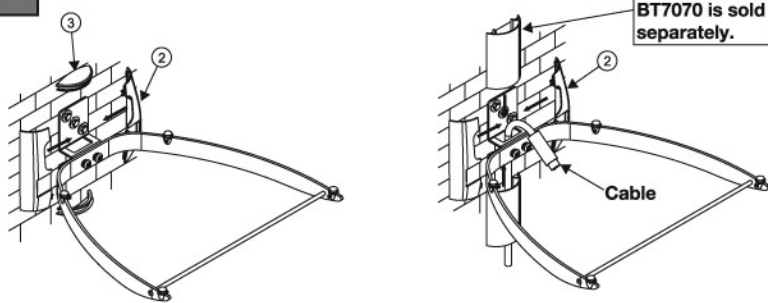


Refer to component shelf manual to attach the supporting feet to shelf.

2b Mount the flat screen wall plate on the BT7075 wall plate.

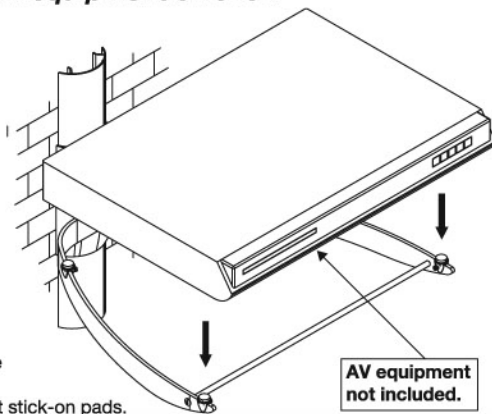


3 Attach wall plate covers with end caps or cable management.



*Extra distance (32mm) from the wall can be achieved by using the BT7075 with a flat screen wall mount.

4a Place the AV equipment on shelf.



Carefully place the AV equipment on the top of the component shelf so it sits on the supporting feet stick-on pads.

4b Follow the flat screen mount manual to mount the screen onto the wall plate.

