



B-TECH AV MOUNTS™

FOR  
CEILING, FLOOR  
OR DESKTOP  
INSTALLS

# BT7553

## FLAT SCREEN CEILING MOUNT

### WITH TILT & SWIVEL

The BT7553 is a flat screen mounting solution which can be used to mount screens up to 23kg from the ceiling, floor, or to a desktop. With easy tool-less adjustment of tilt, swivel and screen rotation, this mount is ideal for landscape or portrait screen mounting and makes it quick and simple to switch between the two. The BT7553 is available with a choice of Black, White or Chrome poles in a variety of different lengths to suit your need.

#### SPECIFICATION

Recommended screen size	up to 28"
Max load	23kg
VESA@compatibility	75 x 75 & 100 x 100
Tilt (ceiling mounted)	+90° / -15°
Tilt (desk / floor mounted)	+15° / -90°
Swivel	360°
Screen rotation	360°
Pole lengths available	0.25m, 0.5m, 1m, 1.5m & 2m*
Colour (poles / ceiling plate)	Black, White or Chrome
Colour (interface plate)	Black

\*White poles only available in 0.5m, 1.0m and 1.5m lengths

#### FEATURES

- Mounts screens from the ceiling, floor or desktop
- Tool-less tilt and swivel adjustment of screen
- Screen rotation allows screen to be positioned in a landscape or portrait orientation
- Supplied with a safety bolt for secure pole mounting
- Included grub screws allow micro-adjustment of pole angle
- Integrated cable management
- Simple 'hook-on' installation



Ideal for mounting screens from the ceiling, floor or desktop



Integrated cable management for a neat and tidy installation



Easy tool-less adjustment of tilt, swivel and screen rotation

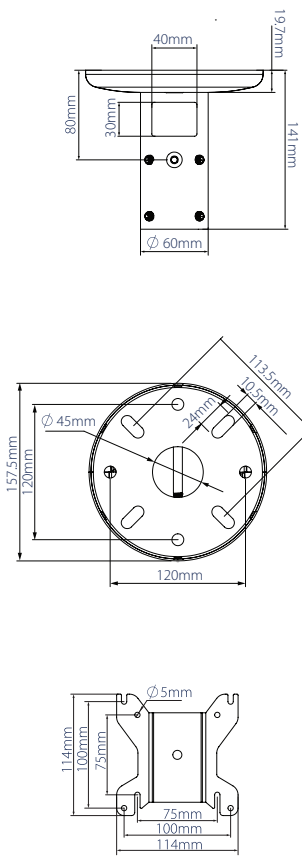
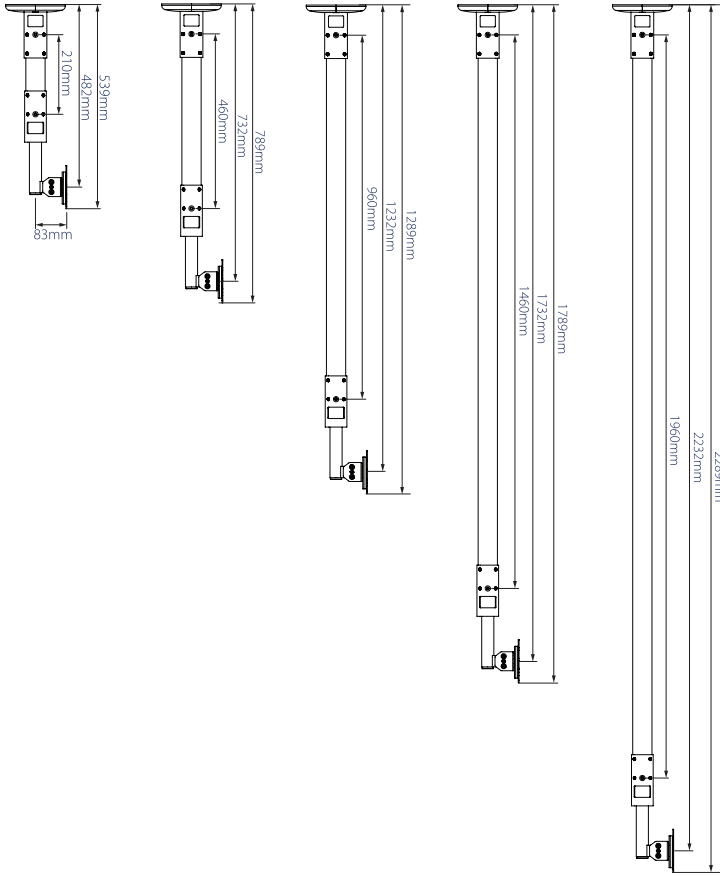


Available in Black, Chrome or White

AV  
MANUFACTURER OF THE YEAR  
WINNER



TECHNICAL DRAWINGS



B-TECH AV MOUNTS



ACCESSORIES AND RELATED PRODUCTS FOR USE WITH BT7553



BT7551

flat screens to Ø50mm poles

© 2015 B-Tech Professional Design & Manufacturing Ltd. All rights reserved.  
 The information in this specification is subject to change without notice. This information is provided for informational purposes only and does not constitute an offer or a contract. B-Tech Professional Design & Manufacturing Ltd. is not responsible for any damage or loss of data caused by improper use of the information provided. Any reproduction or transmission of any part of this specification is strictly prohibited unless prior written permission has been granted by B-Tech Professional Design & Manufacturing Ltd. (BTD).