



**360°
SCREEN
ROTATION**

BT7593

FULL MOTION ARTICULATING WALL ARM MEDICAL MOUNT FOR SCREENS FROM 5KG - 8KG



Designed for flat screens up to 23", this full motion wall arm is ideal for mounting behind hospital beds and features a durable antibacterial powder coating which reduces surface bacteria. Supplied with an optional handle for easy screen positioning, it also features tilt adjustment and 360° screen rotation in any direction, to display the screen in landscape or portrait style. The space saving design enables the mount to be folded flat to the wall when not in use.

SPECIFICATION

Recommended screen size	up to 23"
Min and max load	5kg - 8kg
VESA® compatibility	75 x 75 & 100 x 100
Tilt	+/-100°
Swivel	180°
Rotation	360°
Extension	up to 1650mm
Colour	White

FEATURES

- Full motion mount - ideal for corner mounting
- Arm extension allows screen to be positioned up to 1650mm from the wall
- Tool-less tilt and swivel adjustment allows for perfect positioning
- 360° rotation allows screen to be positioned in any orientation
- Space saving design folds flat to the wall when not in use
- Supplied with optional handle for easy screen positioning
- Manufactured with Interpon® antibacterial powder coating, shown in tests to reduce bacterial population by a minimum of 99%
- Integrated cable management for a neat and tidy installation



fullmotionmounts



Supplied with optional handle for easy screen positioning



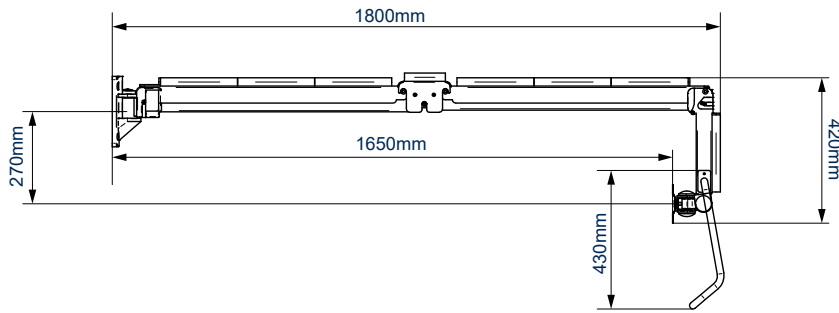
Space saving design folds flat to the wall when not in use



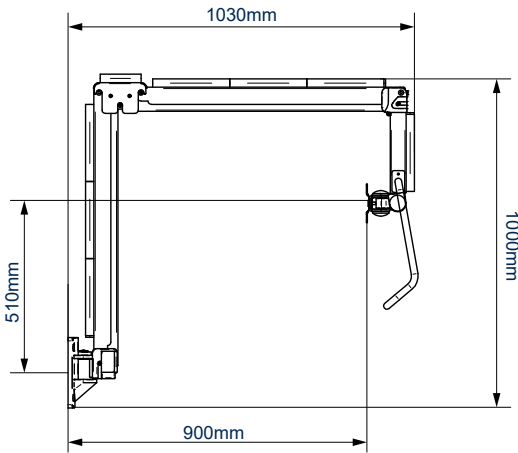
360° rotation allows screen to be positioned in any orientation



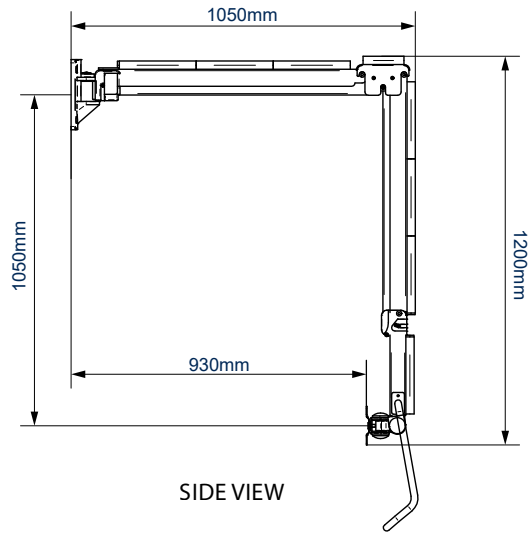
Tool-less tilt and swivel adjustment allows for perfect positioning



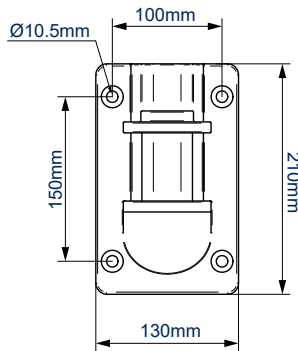
SIDE VIEW - MAXIMUM EXTENSION



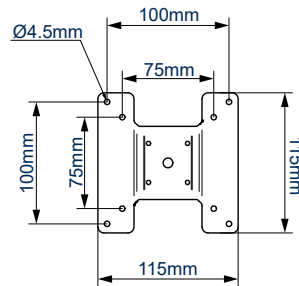
SIDE VIEW



SIDE VIEW



WALL PLATE



INTERFACE

PACKING INFORMATION

COLOUR:	ORDER REF:	EAN CODE:	MASTER CARTON QTY:	INNER CARTON QTY:	MASTER CARTON WEIGHT:	MASTER CARTON CUBE:
White	BT7593/W	5019318750731	1	0	15kg	0.059cbm

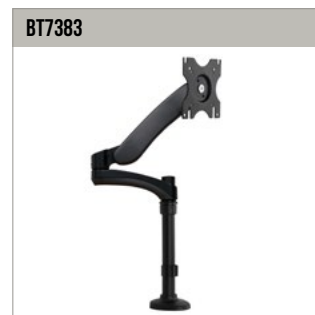
ACCESSORIES AND SIMILAR PRODUCTS



BT7592
Medical Wall Arm Mount designed for screens up to 5kg



BT7513
Twin Cantilever Arm Wall Mount with Tilt & Swivel designed for screens up to 75"



BT7383
Full Motion Double Arm Desk Mount with 3 swivel points, at the pole, arm pivot and interface



BT7504
Double Arm Wall Mount with Tilt & Swivel designed for screens up to 42"

© 2018 B-Tech Professional Design & Manufacturing Limited. All rights reserved.
The information in this specification sheet reflects the current technical specifications at the time of print.
B-Tech Professional Design & Manufacturing Limited reserves the right to change the specifications of its products without notice.
All dimensions are given in millimeters unless otherwise stated. All tolerances are given in millimeters unless otherwise stated.
B-Tech Professional Design & Manufacturing Limited is not responsible for any damage caused by improper installation or mounting or any other use of the product.
Specifications are subject to change without notice. For more information, please contact B-Tech Professional Design & Manufacturing Limited.

SS-V6-BT7593-010819