



SUITABLE FOR  
SPEAKERS UP  
TO 25KG

# BT77

## ULTRAGRIP PRO™ SIDE-CLAMPING SPEAKER WALL MOUNTS WITH TILT AND SWIVEL (PAIR)

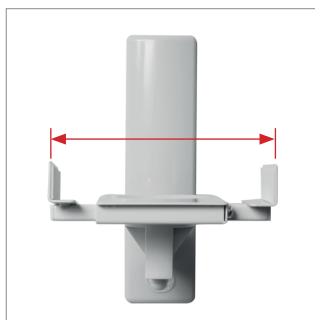


Suitable for most speakers including curved front types, the BT77 wall mount features a padded, adjustable side clamping design which grips medium to large sized speakers without marking them. The mounts are easy to install with tilt and swivel adjustments that allow for optimal speaker positioning once mounted. Supplied in pairs, the BT77 also includes cover plates for a neat and tidy finish.

SPECIFICATION	
Max load	25kg
Adjustable clamp size	135mm - 280mm
Tilt	+/-10°
Swivel	360°
Colour	Black or White

### FEATURES

- Adjustable clamp to accommodate larger speaker sizes
- Side-clamping design is padded and does not mark the speaker
- A safety strap (not included) can be added to the clamp for extra security
- Tilt and swivel adjustment allows perfect positioning
- Can also be mounted directly to System X vertical columns or onto B-Tech collars for pole mounting
- Supplied with cover plate and screw cap for a neat and tidy finish
- Integrated cable management
- Quick and easy installation with keyhole mounting
- All mounting hardware included
- Supplied in pairs



Adjustable clamp to accommodate larger speaker sizes



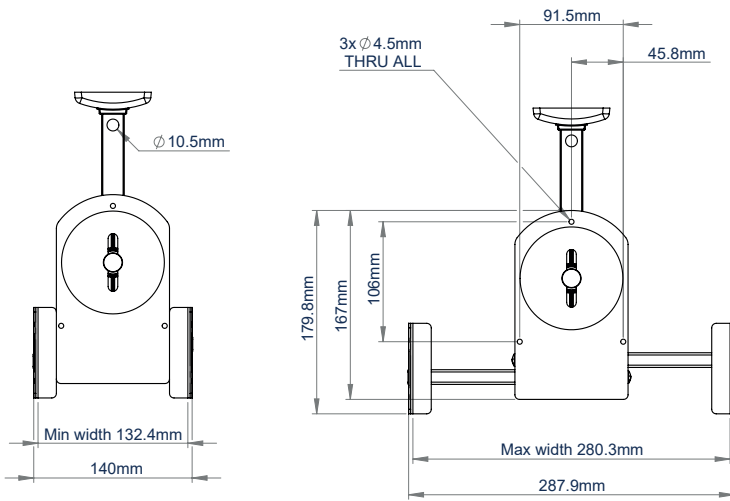
Tilt and swivel adjustment allows perfect positioning



Side clamping design, suitable for curved front speakers

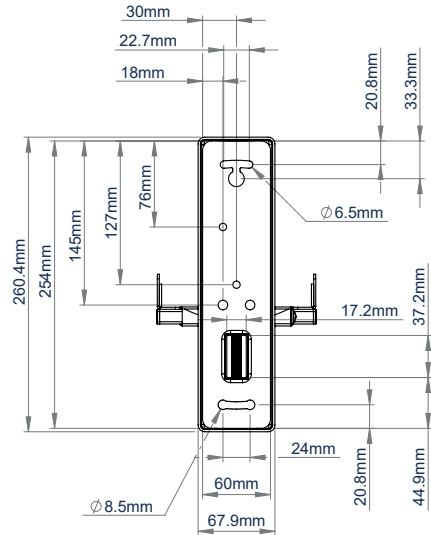


Available in Black or White. Supplied in Pairs.

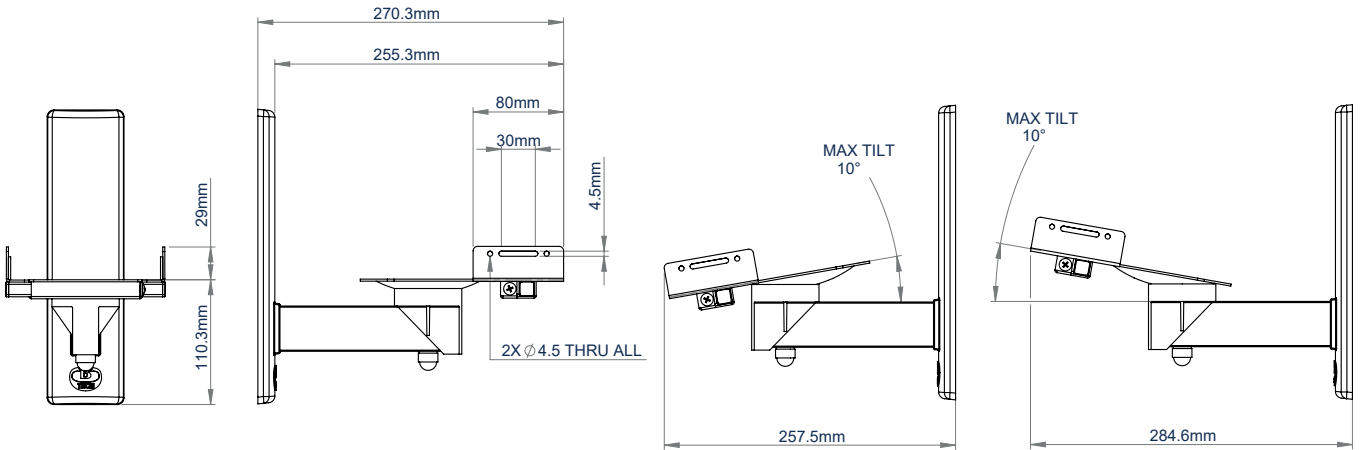


TOP VIEW - MIN WIDTH

TOP VIEW - MAX WIDTH



REAR VIEW



FRONT VIEW

SIDE VIEW

SIDE VIEW - TILT DOWN

SIDE VIEW - TILT UP

PACKING INFORMATION

COLOUR:	ORDER REF:	EAN CODE:	MASTER CARTON QTY:	INNER CARTON QTY:	MASTER CARTON WEIGHT:	MASTER CARTON CUBE:
Black	BT77/B	5019318047701	4	0	12.1kg	0.80cbm
White	BT77/W	5019318049033	4	0	12.1kg	0.80cbm

ACCESSORIES AND RELATED PRODUCTS



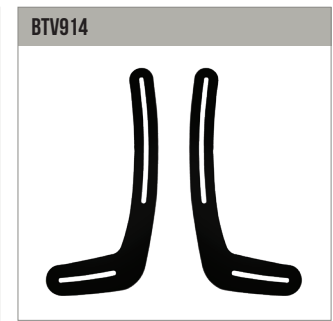
**BT8380-060/180/240**  
Vertical Support Columns for freestanding, mobile or bolt-down screen mounting



**BT606**  
Atlas Speaker Stands - Height 60cm designed for speakers up to 35kg



**BT332**  
Speaker Wall Mounts designed to mount home cinema speakers up to 5kg



**BTV914**  
Universal Soundbar Mount designed to mount soundbars up to 10kg to the back of the screen

© 2018 B-Tech Mounts of B-Tech Professional Ltd. All rights reserved. The information in this specification is for reference only. B-Tech Mounts of B-Tech Professional Ltd. is not responsible for any damage or loss of property caused by improper or misuse of the products. Any reproduction or transmission of any part of this specification is strictly prohibited unless prior written permission has been granted by B-Tech Professional Design & Manufacturing Ltd. SS-V6.2-BT77-240921