



IDEAL FOR
 RECESS
 MOUNTING

BT8309

POP-OUT FLAT SCREEN WALL MOUNT

WITH MICRO-ADJUSTMENT

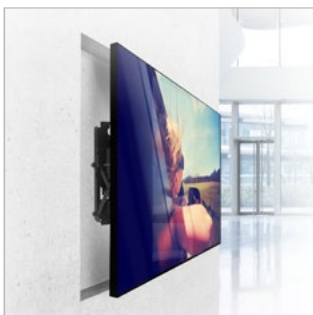
The BT8309 is designed for the installation of small to medium flat screens into recessed walls. The pop-out mechanism allows for a neat and tidy, flush to the wall installation, while still allowing access to the rear of the screen for easy installation and service access. Tool-less micro-adjustment is included on each corner to allow screens to be perfectly aligned to the recess or to other screens in a videowall installation. BT8309 also allows screens to be mounted in landscape or portrait orientation and is also compatible with B-Tech's professional pole and collar system for pole mounted installs if required.

SPECIFICATION

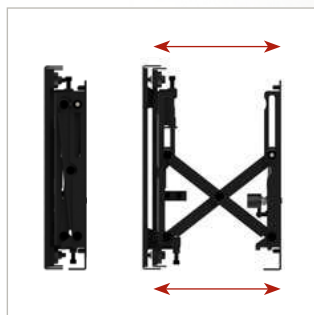
Recommended screen size	up to 42"
Max load	25kg
VESA® compatibility	75 x 75 up to 200 x 200
Flat to wall depth	69mm (+/-5mm micro-adjustment)
Popped out depth	186mm (+/-5mm micro-adjustment)
Screen height adjustment	+12mm
Colour	Black

FEATURES

- Perfect solution for mounting screens into a recessed wall
- Can also be used to create videowall installations
- Push to open / push to close system provides quick and easy service access
- Micro-adjustment of +/-5mm at each corner for seamless display alignment
- Suitable for landscape or portrait screen mounting
- Suitable for both wall or pole mounting
- Keyhole mounting for quick and easy installation
- Levelling screws allow adjustment of screen height
- Integrated locking mechanism prevents accidental pop-out of mount
- Integrated cable management
- 'Hook-on' installation with all mounting hardware included



Perfect solution for mounting screens into a recessed wall



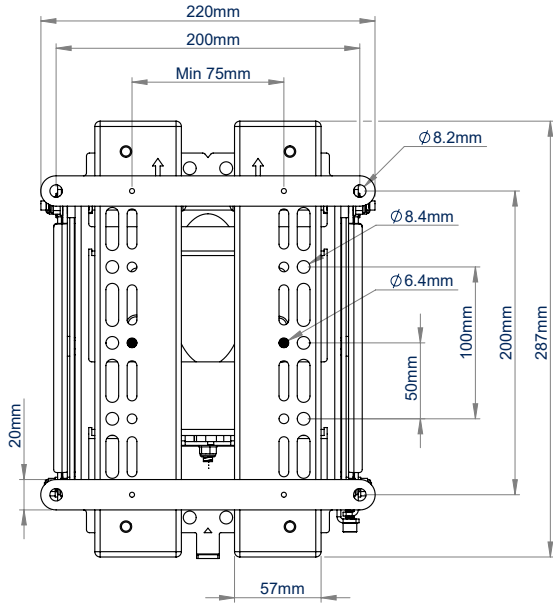
Push to open / push to close system provides quick and easy service access



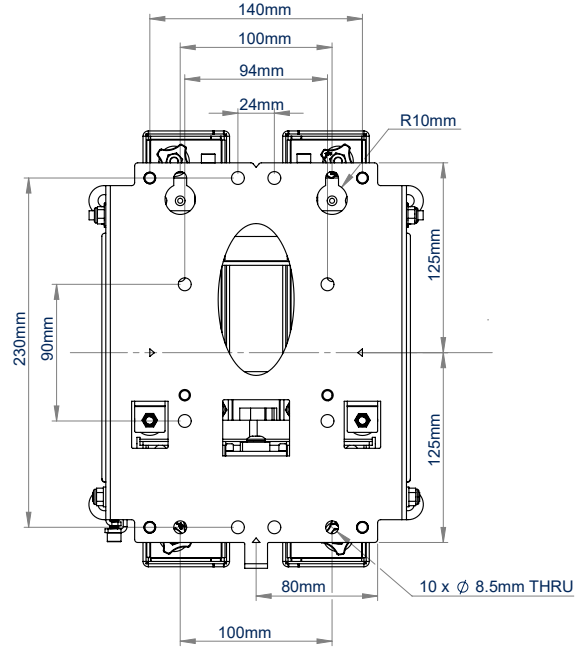
Compatible with B-Tech's professional pole and collar system for pole mounting



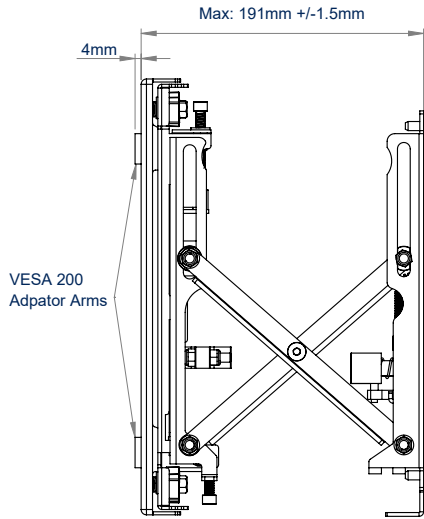
Tool-less micro-adjustment for seamless display alignment



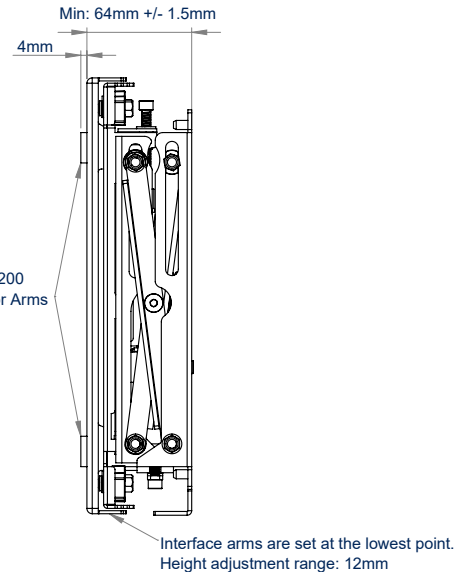
FRONT VIEW



REAR VIEW



SIDE VIEW EXTENDED



SIDE VIEW CLOSED

ACCESSORIES AND RELATED PRODUCTS TO BT8309



50mm diameter poles available in different lengths up to 3m



50mm Accessory Collar for fixing mounts & accessories to Ø50mm poles



Professional Pop-In, Pop-Out wall mount for screens with VESA fixings from 75 x 75 to 200 x 200



Professional Pop-In, Pop-Out Video Wall Mount for video walls or recess mounting larger screens

© 2016 B-Tech Professional. Design & Manufacturing Limited. All rights reserved.
 The information in this specification reflects the current technical specifications at the time of print.
 We reserve the right to change the technical or physical specifications without prior notice. B-Tech Professional and B-Tech logo are registered trademarks of B-Tech Professional Design & Manufacturing Limited.
 B-Tech Professional is not liable for loss or damage caused by improper installation or mounting on unsuitable structures. Any reproduction or retransmission or adaptation of any part of this specification is strictly prohibited, unless prior written permission has been granted by B-Tech Professional Design & Manufacturing Limited. E&OE

SS-BT8309-VZ-1-100919