



ENDLESS MOUNTING CAPABILITY

BT8340

UNIVERSAL VIDEOWALL MOUNTING SYSTEM

The BT8340 is a modular wall mounting system for video wall installations of any size. The BT8340 can mount screens in landscape or portrait orientations - perfect for digital signage that needs to stand out. As part of the System X range, the BT8340 can be used in thousands of different configurations and is ordered according to your requirements using B-Tech's online configuration tool (see below, right).

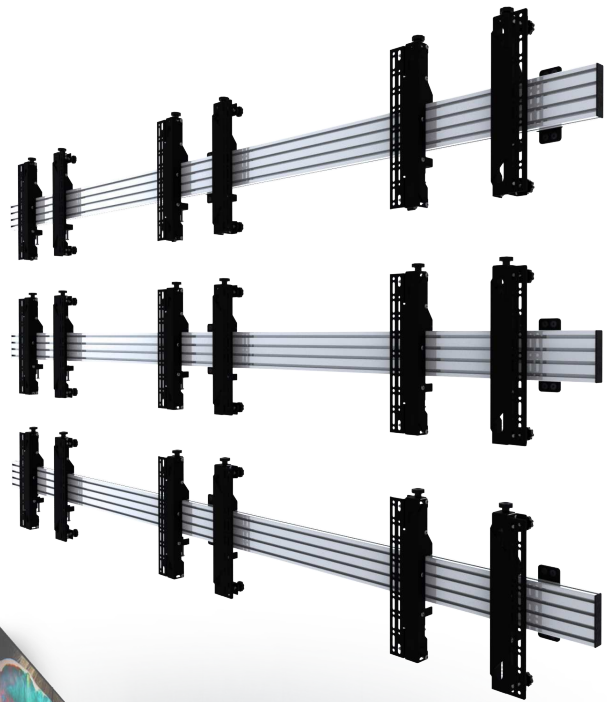
SPECIFICATION

Recommended screen size	32" - 70"
Max load	50kg (per screen)
VESA® & non-VESA fixings	up to 900mm*
Distance from wall (fixed arms)	47mm
Distance from wall (tilt arms)	71.4mm
Distance from wall (micro-adjustment arms)	86.1mm (+/-10mm)
Colour (VESA arms)	Black
Colour (horizontal rail)	Silver

*Refers to maximum vertical fixing dimension for a typical configuration. Correctly sized interface arms and adaptors will be supplied as necessary to suit the mounting pattern you require.

FEATURES

- Universal design suitable for all sized screens up to 50kg (per screen)
- Can be used in an endless variety of configurations
- High-end aesthetic quality
- Tool-less micro-adjustments for seamless display alignment
- Suitable for landscape or portrait mounting
- Can be used to create eye-catching, mosaic style installs (please contact your sales representative for more details)
- Multiple rail lengths available (rails can also be joined to create larger installs)
- Safety screws help prevent unauthorised removal of screens



SYSTEM X

70" 178cm | VESA 900 | 50KG | [Icons for tilt, rotation, and screen layout]

PER SCREEN

CREATE YOUR MOUNTING SYSTEM ONLINE

SPECIFY YOUR VIDEO WALL & MENU BOARD REQUIREMENTS ONLINE AND OUR SYSTEM X CONFIGURATION TOOL WILL CREATE A MOUNTING KIT TO SUIT YOUR NEEDS



There are thousands of System X configurations available! Visit our online configuration tool to specify setups, number of screens, number of rows and orientation.

Try now at www.btechavmounts.com/systemx-configurator



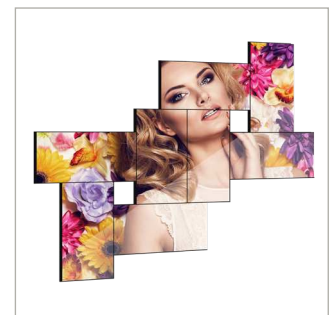
Tool-less micro-adjustment for seamless screen alignment



Suitable for landscape or portrait mounting



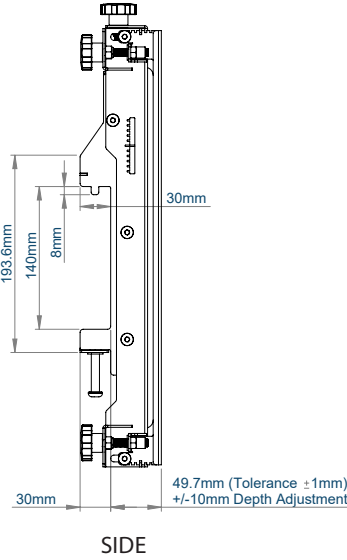
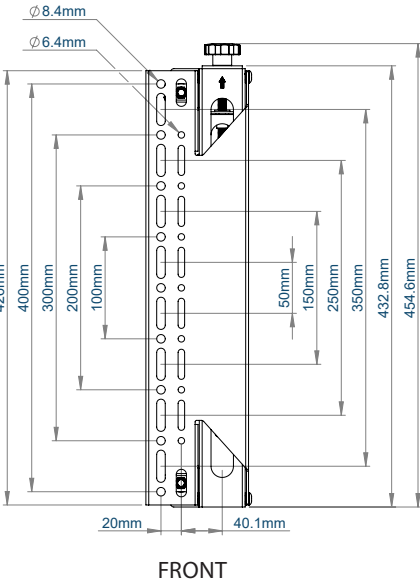
Multiple rail lengths available (rails can also be joined to create larger installs)



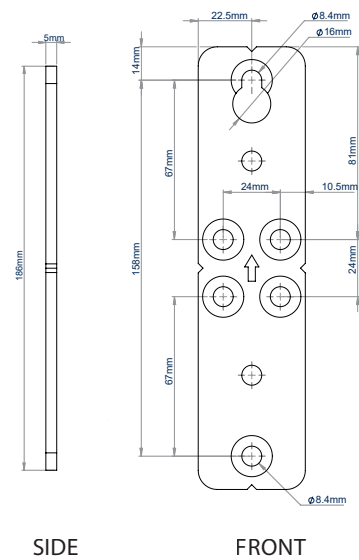
Can be used to create eye-catching, mosaic style installs

BT8340 configurations are made to your exact requirements and, as a result, utilise a varying combination of System X components in order to create the perfect solution. Below are technical drawings for the standard components used in every BT8340 configuration: **BT8390-VESA400MAF** Micro-Adjustment Interface Arms, **BT8390-WFK1 & 2** Wall Fixing Kits and **BT8390** Mounting Rails (*available in the lengths shown*). Please visit our System X online configuration tool at www.btechavmounts.com/systemx-configurator to specify your requirements. All dimensions will be automatically calculated and a complete mounting solution with all required parts will be created for you.

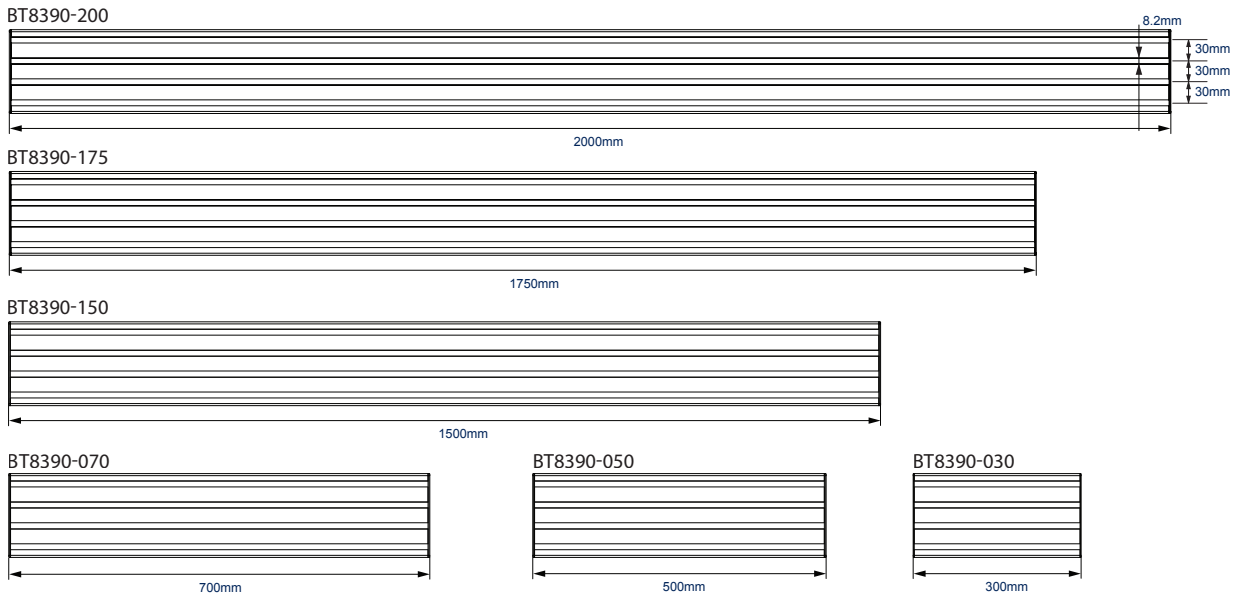
BT8390-VESA400MAF INTERFACE ARMS



BT8390-WFK1 WALL FIXING KIT



BT8390 MOUNTING RAILS

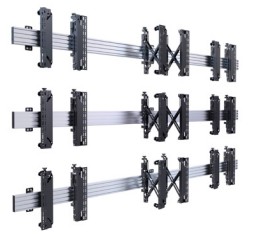


PACKING INFORMATION

COLOUR:	ORDER REF:	EAN CODE:
Silver	BT8340/S	5019318081149


RELATED PRODUCTS

BT8341




Universal Pop-In, Pop-Out Video Wall System for video wall configurations

BT8342



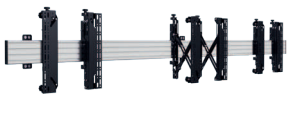
Universal Ceiling Mounted Video Wall System for video wall configurations

BT8330



Universal Menu Board Mounting System for wall mounted menu board configurations

BT8331



Universal Pop-In, Pop-Out Menu Board System for menu board configurations

© 2015 B-Tech Av Mounts Ltd. All rights reserved. The information in this specification is subject to change without notice. B-Tech Av Mounts Ltd. is not responsible for any damage or loss of data caused by improper use, installation or modification of any part of this specification. B-Tech Av Mounts Ltd. is not responsible for any damage or loss of data caused by improper use, installation or modification of any part of this specification. B-Tech Av Mounts Ltd. is not responsible for any damage or loss of data caused by improper use, installation or modification of any part of this specification.