



AVAILABLE
 IN MULTIPLE
 CONFIGURATIONS

BT8373

UNIVERSAL FREESTANDING CURVED VIDEO WALL STAND

Designed to create curved videowalls, the BT8373 is a freestanding mounting solution with a universal design suitable for all videowall screens from 39" to 70". As part of B-Tech's dynamic System X range, this contemporary mounting solution is lightweight yet incredibly strong, has a high-end aesthetic quality and comes with important time saving features such as integrated angle guides, tool-less micro-adjustment and a universal screen position spacer to speed up the installation process.

SPECIFICATION

For screen sizes	39" - 70"
Max load	50kg per screen
Angle adjustment range	+/- 45°
VESA® & non-VESA fixings	up to 900mm
Colour (base & VESA arms)	Black
Colour (columns)	Black or Silver

FEATURES

- Configurable mounting solution available to order to your requirements, from stock - see configurator info
- Universal design suitable for all videowall screens
- High-end aesthetic quality
- Easy to use angle adjustment - set before or after installation
- Integrated angle guides eliminate the need to measure required angles
- Integrated rail mounting guides ensure the join position is consistent throughout the installation without the need to measure
- Tool-less micro-adjustments for seamless screen alignment
- Also available with pop-out interface arms
- Heavy duty freestanding base allows columns to be individually assembled and positioned, for an easy installation
- Supplied with adjustable levelling feet to accommodate uneven floor surfaces
- Integrated cable management
- Universal screen position spacer to speed up the installation process
- Safety screws help prevent unauthorised removal of screens
- Simple installation with all mounting hardware included



SHOWN IN A 4X2
 CONFIGURATION



SYSTEM X

70" 177cm VESA 900 50KG PER SCREEN



Angle up to +/-45° to create a concave or convex curved videowall



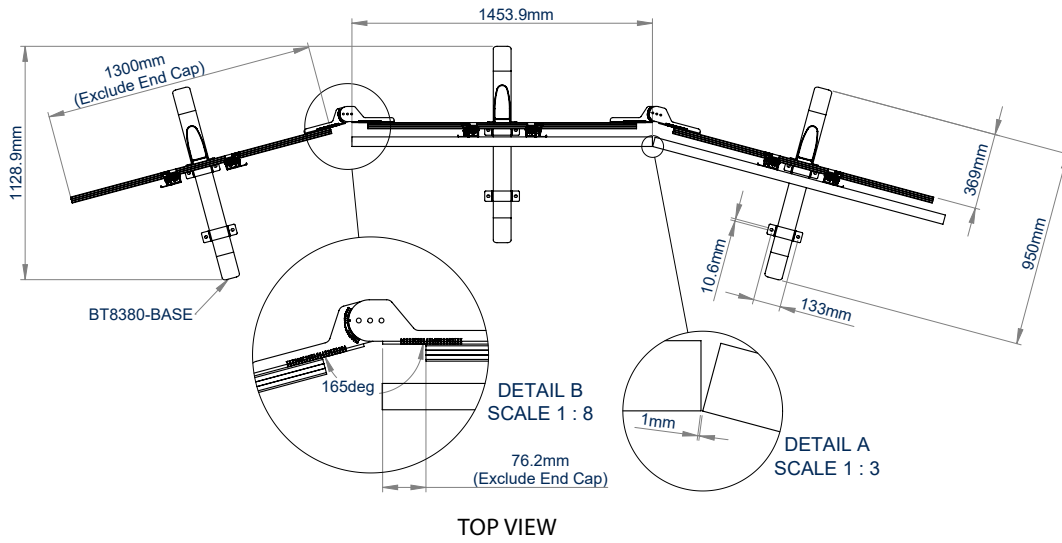
Tool-less micro-adjustment for seamless screen alignment



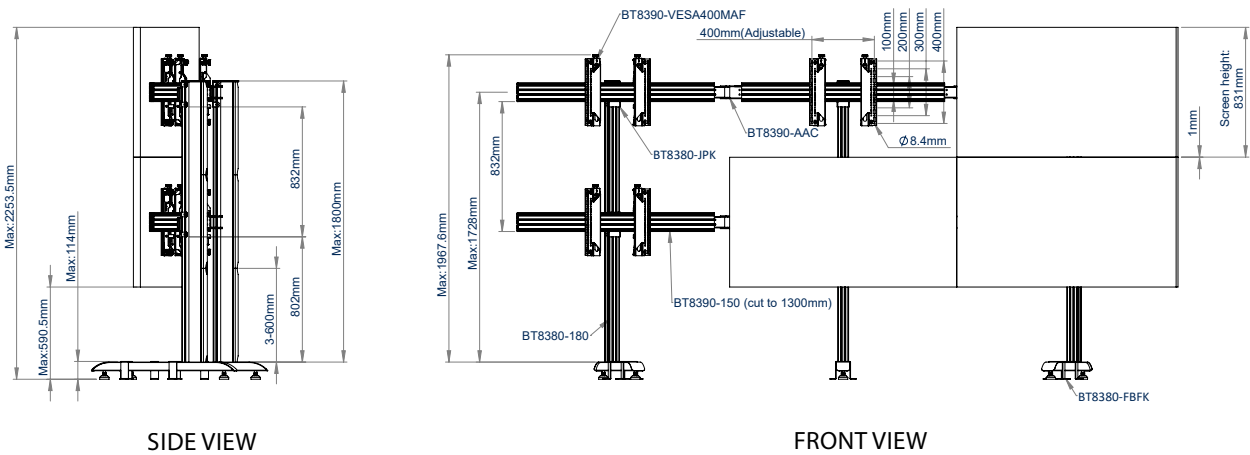
Supplied with BT8390-VESA400MAP pop-out arms



Integrated cable management covers hide untidy cables and add to the stylish finish



TOP VIEW



SIDE VIEW

FRONT VIEW

PACKING INFORMATION

PLEASE NOTE, THIS IS A **MULTI-BOX** ITEM

COLOUR:	ORDER REF:	EAN CODE:
Black / Black	BT8373/BB	5019318301445
Black / Silver	BT8373/BS	5019318301452

ORIGINAL DESIGNS BY B-TECH AV MOUNTS - REGISTERED DESIGNS & PATENTS APPLY

ACCESSORIES AND RELATED PRODUCTS

<p>BT8370</p> <p>Universal Videowall Stand suitable for all videowall screens</p>	<p>BT8376</p> <p>Universal Freestanding Curved Videowall Mount suitable for all videowall screens</p>	<p>BT7032 / BT7033 / BT7863</p> <p>AV Accessory Shelves can be attached directly to a vertical column</p>	<p>BT8374</p> <p>Universal Mobile Curved Videowall Stand available to order to your requirements</p>
---	---	---	--

© 2016 B-Tech Av Mounts of Professional Design & Manufacturing Ltd. All rights reserved. The information in this specification is for reference only. B-Tech Av Mounts and the B-Tech logo are registered trademarks of B-Tech Professional Design & Manufacturing Ltd. We reserve the right to change the technical or physical specifications without prior notice. This is not intended to constitute a contract. B-Tech Av Mounts is not liable for loss or damage caused by improper or misuse of its products. Any reproduction or misrepresentation or replication of any part of this specification is strictly prohibited unless prior written permission has been granted by B-Tech Professional Design & Manufacturing Ltd. (BTD).

SS-V2-BT8373-090919