



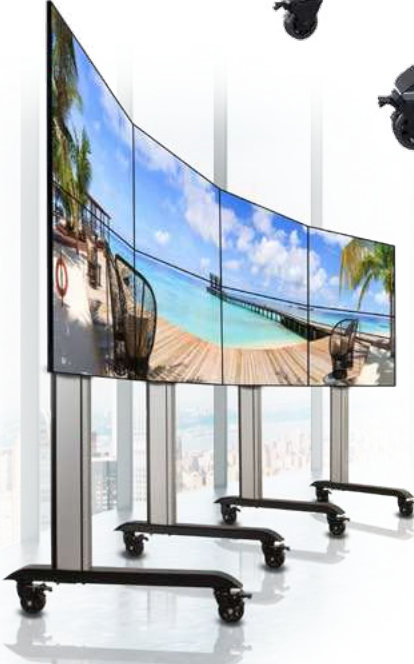
AVAILABLE
IN MULTIPLE
CONFIGURATIONS

BT8374

UNIVERSAL MOBILE CURVED VIDEOWALL STAND

Designed to create curved videowalls, the BT8374 is a mobile mounting solution with a universal design suitable for all videowall screens from 39" to 70". As part of B-Tech's dynamic System X range, this contemporary mounting solution is lightweight yet incredibly strong, has a high-end aesthetic quality and comes with important time saving features such as integrated angle guides, tool-less micro-adjustment and a universal screen position spacer to speed up the installation process.

SHOWN IN A 4X2
CONFIGURATION



SPECIFICATION	
For screen sizes	39" - 70"
Max load	50kg per screen
Angle adjustment range	+/- 45°
VESA® & non-VESA fixings	up to 900mm*
Colour options	Black or Silver

FEATURES

- Configurable mounting solution available to order to your requirements, from stock - see configurator info
- Universal design suitable for all videowall screens
- High-end aesthetic quality
- Easy to use angle adjustment - set before or after installation
- Integrated angle guides eliminate the need to measure required angles
- Integrated rail mounting guides ensure the join position is consistent throughout the installation without the need to measure
- Tool-less micro-adjustments for seamless screen alignment
- Also available with pop-out interface arms
- Integrated cable management
- Universal screen position spacer to speed up the installation process
- Includes non-marking 4" locking/braked castors and alternative levelling feet
- Safety screws help prevent unauthorised removal of screens
- Simple installation with all mounting hardware included

SYSTEM X

70" 177CM VESA 900 50KG PER SCREEN

*Refers to maximum vertical fixing dimension for a typical configuration. Correctly sized interface arms and adaptors will be supplied as necessary to suit the mounting pattern you require.



Angle up to +/-45° to create a concave or convex curved videowall



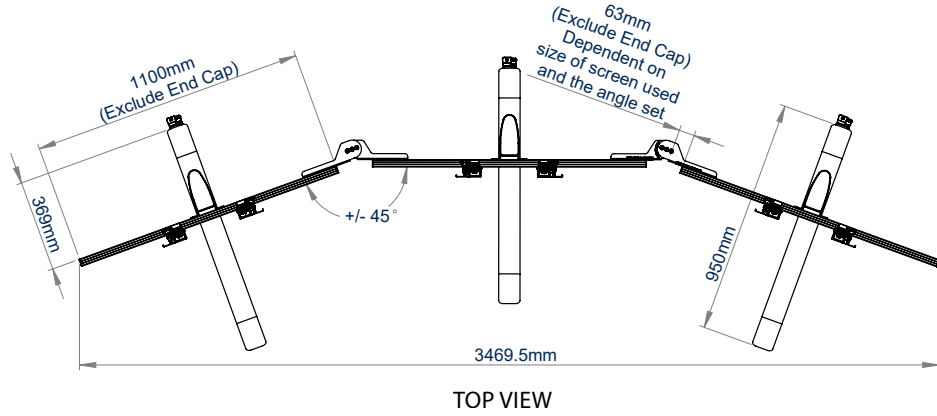
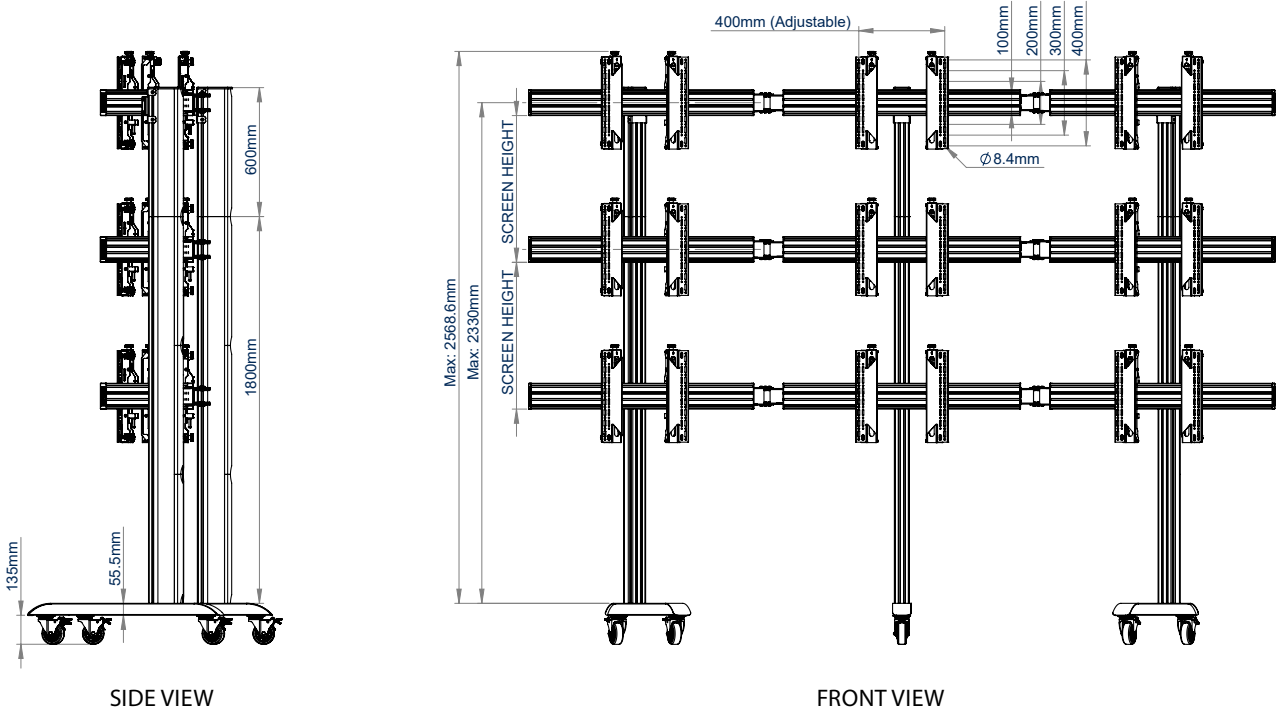
Tool-less micro-adjustment for seamless screen alignment



Includes BT8390-VESA400MAP mounts



Integrated cable management covers hide untidy cables and add to the stylish finish



PACKING INFORMATION		PLEASE NOTE, THIS IS A MULTI-BOX ITEM
COLOUR:	ORDER REF:	EAN CODE:
Black / Black	BT8374/BB	5019318301476
Black / Silver	BT8374/BS	5019318301469

ORIGINAL DESIGNS BY B-TECH AV MOUNTS - REGISTERED DESIGNS & PATENTS APPLY

RELATED PRODUCTS



BT8373 Universal Freestanding Curved Videowall Stand shown as a 2x4 Videowall
BT8375 Universal Blot Down Curved Videowall Stand shown as a 2x4 Videowall
BT8376 Universal Freestanding Curved Videowall Mount shown as a 2x4 Videowall
BT7371 Desk Mount With Swivel for easy height adjustment using tool-less locking collar

© 2016 B-Tech Av Mounts. All rights reserved. The information in this specification is for reference only. B-Tech Av Mounts and its technologies are registered trademarks of B-Tech International Design & Manufacturing Ltd. We reserve the right to change the technical or physical specifications without notice. This B-Tech Av Mounts is a registered trademark of B-Tech International Design & Manufacturing Ltd. B-Tech Av Mounts is not liable for loss or damage caused by improper or misuse of its products. Any reproduction or retransmission or replication of any part of this specification is strictly prohibited unless prior written permission has been granted by B-Tech International Design & Manufacturing Ltd. (B-Tech).

SS-V2.2-BT8374-130919