



CREATE
 FREESTANDING
 INSTALLS

BT8380-SHB

SYSTEM X™ SHORT FLOOR BASE FOR TROLLEYS AND STANDS



As part of the System X range the BT8380-SHB attaches directly to BT8380 Vertical Support Columns providing a stable base for a freestanding screen mounting solution with a minimal footprint. The sturdy base is supplied with adjustable levelling feet to accommodate uneven floor surfaces and being 35cm shorter than the standard System X BT8380-BASE, the BT8380-SHB is ideal for installations where floor space may be limited.

SPECIFICATION

Length	600mm
Width	86mm
Height (with levelling feet)	87mm - 105mm
Max load (up to 1.8m column height)	50kg (per screen)
Max load (up to 2.4m column height)	50kg (per screen)*
Max load (up to 4.2m column height)	25kg (per screen)*
Colour	Black

FEATURES

- Short floor base with a smaller footprint than the BT8380-BASE*
- Supplied as individual units, one base must be used per column

*The BT8380-WTB must be used when the base is used with vertical columns over 1.8m



Small footprint for an un-obtrusive installation in confined areas



Attaches quickly and easily to BT8380 vertical support columns

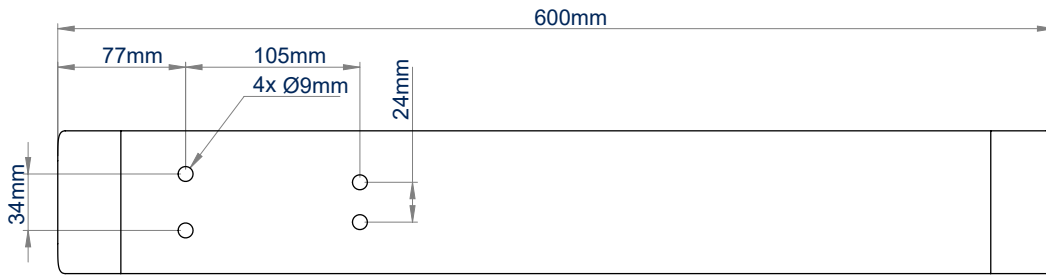


Each base is supplied with 2 levelling feet to allow for post installation levelling

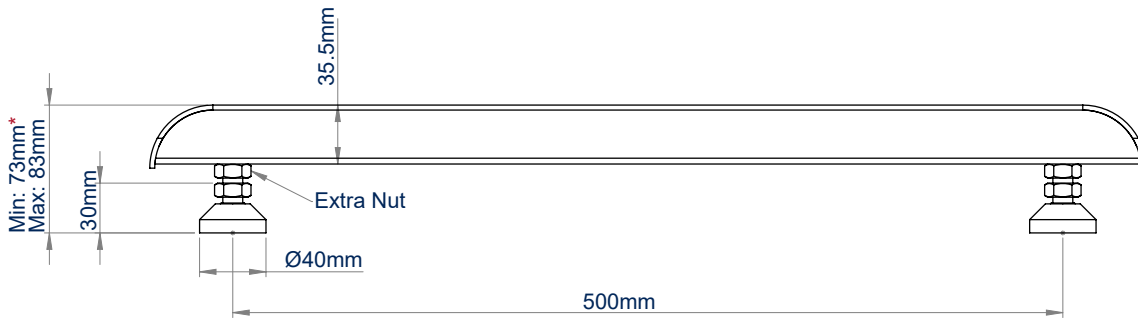


Can be used with BT8380-WTB Wall Tie-Back for extra stability*



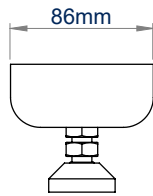


TOP VIEW

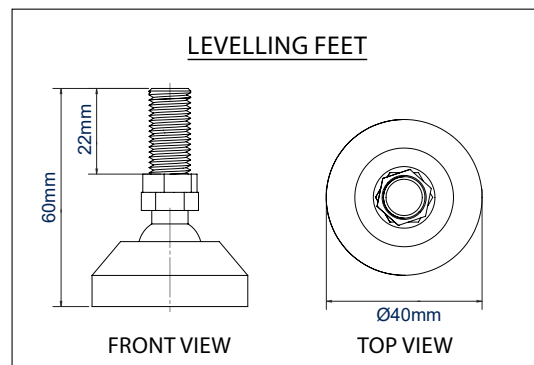


SIDE VIEW

**** The extra nut can be removed to reduce the height by 8mm for a lower profile range of 65-75mm**



FRONT VIEW



FRONT VIEW

TOP VIEW

PACKING INFORMATION

COLOUR:	ORDER REF:	EAN CODE:	MASTER CARTON QTY:	INNER CARTON QTY:	MASTER CARTON WEIGHT:	MASTER CARTON CUBE:
Black	BT8380-SHB/B	5019318501937	4	0	15kg	0.026cbm

ORIGINAL DESIGNS BY B-TECH AV MOUNTS - REGISTERED DESIGNS & PATENTS APPLY

RELATED PRODUCTS

<p>BT8380-060/180/240</p>	<p>BT8390-WTB</p>	<p>BT8380-BASE</p>	<p>BT8380-FFB</p>
----------------------------------	--------------------------	---------------------------	--------------------------

Vertical Support Column provides a platform for freestanding, mobile or bolt down solutions.

Wall Tie-Back provides added stability to System X Vertical Columns.

System X Floor Base attaches directly to BT8380 Vertical Support Columns to create a secure foundation for freestanding or mobile screen mounting.

Fixed Floor Base provides a close-to-the wall, bolt down solution that can be used as an alternative to BT8380-BASE.

© 2019 B-Tech Av Mounts. All rights reserved. The information in this specification is subject to change without notice. B-Tech Av Mounts is a registered trademark of B-Tech Av Mounts. All other trademarks are the property of their respective owners. B-Tech Av Mounts is not responsible for any damage caused by improper use, installation or modification of any part of this specification. Specifications are subject to change without notice. B-Tech Av Mounts is not responsible for any damage caused by improper use, installation or modification of any part of this specification.

SS-V2-BT8380-SHB-060819