

# BT8385-CTW

## FLOOR-TO-WALL MOUNTING KIT

FOR USE WITH BT8385



Designed to securely install BT8385 Vertical Columns close to a wall. The BT8385-CTW is made up from two parts; a wall plate that secures the BT8385 Vertical Column to the wall and a base plate that secures the column to the floor with a minimal footprint. The brackets support substantial loads and are ideal for mounting AV installations in retail and office environments where a close to wall installation is preferred to avoid trip hazards.

SPECIFICATION	
Max load	70kg
Distance from the wall to the front of column	100mm
Colour	Black

- FEATURES**
- For use with a BT8385 Vertical Column
  - Small footprint, ideal for retail applications where floor space is limited such as shop windows or for close to the wall displays
  - Heavy duty steel capable of supporting substantial loads
  - High-end aesthetic quality
  - Can be used to create large scale videowall installations - ideal for applications such as control rooms
  - Integrated cable management allows cables to run through the centre of the base and into the vertical column from under the floor



Close to the wall installation.



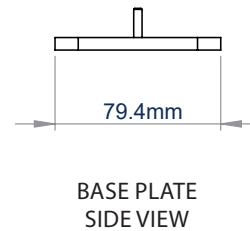
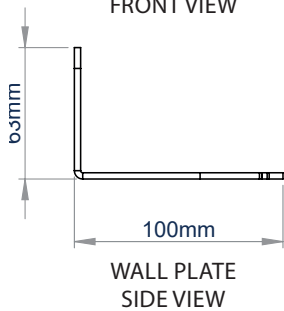
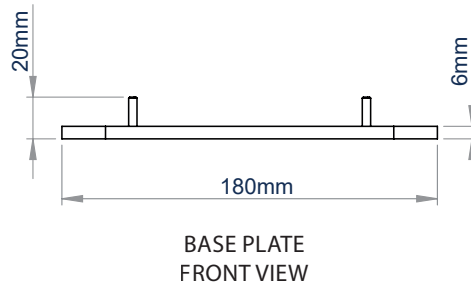
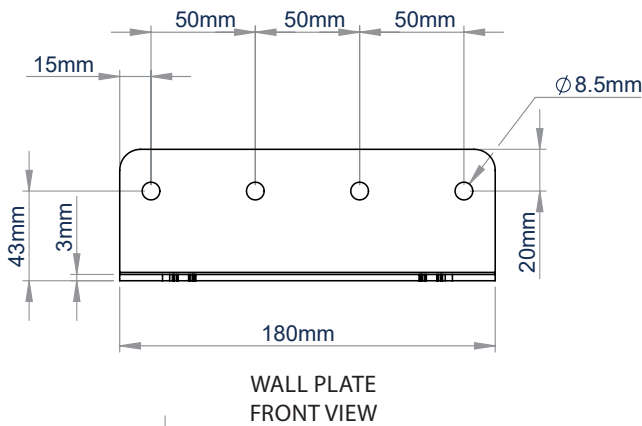
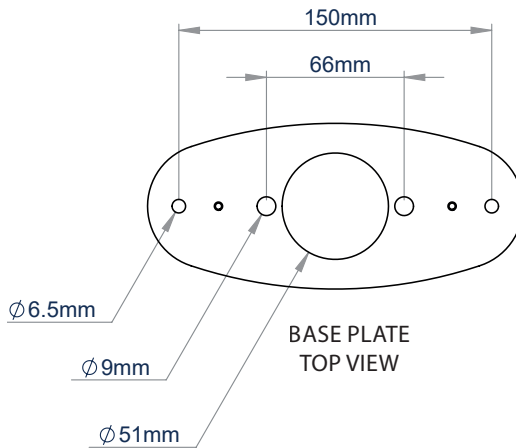
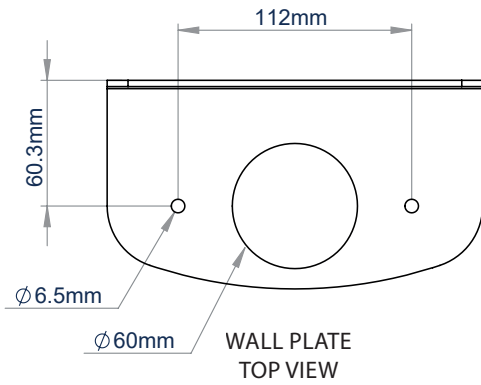
Base plate is fitted to the floor for a secure install using suitable fixings (not supplied).



Cables can be run through the centre of the base and into the vertical column from under the floor.



Can be used to create large scale installations - ideal for control rooms.



PACKING INFORMATION

COLOUR:	ORDER REF:	EAN CODE:	MASTER CARTON QTY:	MASTER CARTON WEIGHT:	MASTER CARTON CUBE:
Black	BT8385-CTW	5019318302763	1	1.5kg	0.0017cbm

RELATED PRODUCTS



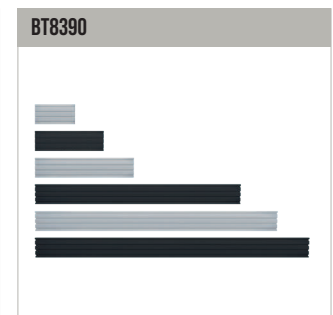
**Vertical Columns**  
Available in Silver or Black



**Single Column Base**  
For use with a single BT8385 Vertical Column



**Rail-to-Column Mounting Bracket**  
For use with a BT8385 vertical column



**System X™ Mounting Rails**  
Available in Silver or Black

© 2015 B-Tech Professional Design & Manufacturing Ltd. All rights reserved.  
The information in this specification is for reference only. It is not intended to be used as a substitute for the manufacturer's instructions. B-Tech Professional Design & Manufacturing Ltd. is not responsible for any damage or injury caused by improper use of the product. B-Tech Professional Design & Manufacturing Ltd. is not responsible for any damage or injury caused by the use of the product. B-Tech Professional Design & Manufacturing Ltd. is not responsible for any damage or injury caused by the use of the product. B-Tech Professional Design & Manufacturing Ltd. is not responsible for any damage or injury caused by the use of the product.

SS-BT8385-CTW-210421