

**MODE-AL
COMPONENT
RANGE**

BT8385-TXB

TWIN COLUMN BASE FOR USE WITH BT8385



BT8385-TXB provides a sturdy base to create a freestanding screen mounting solution for extra large screens. The base is supplied in two parts for easy transportation and fixed together onsite. Two BT8385 Vertical Columns fix to the base to create the basis of your installation. Supplied with adjustable levelling feet to accommodate uneven floor surfaces. Braked castors are also available for a mobile solutions (BTW75-4 available separately).

SPECIFICATION

Twin Screen Max load	56kg per screen
Single Screen Max load	100kg
Colour	Black

FEATURES

- Provides a sturdy base for create a freestanding screen mounting solution
- Fixes easily to BT8385 columns
- Includes adjustable levelling feet
- Integrated cable management throughout the base
- Base unit supplied in two parts for easy shipping
- Screw in Braked Castors available separately (BTW75-4)



Supplied with adjustable levelling feet to accommodate uneven floor surfaces



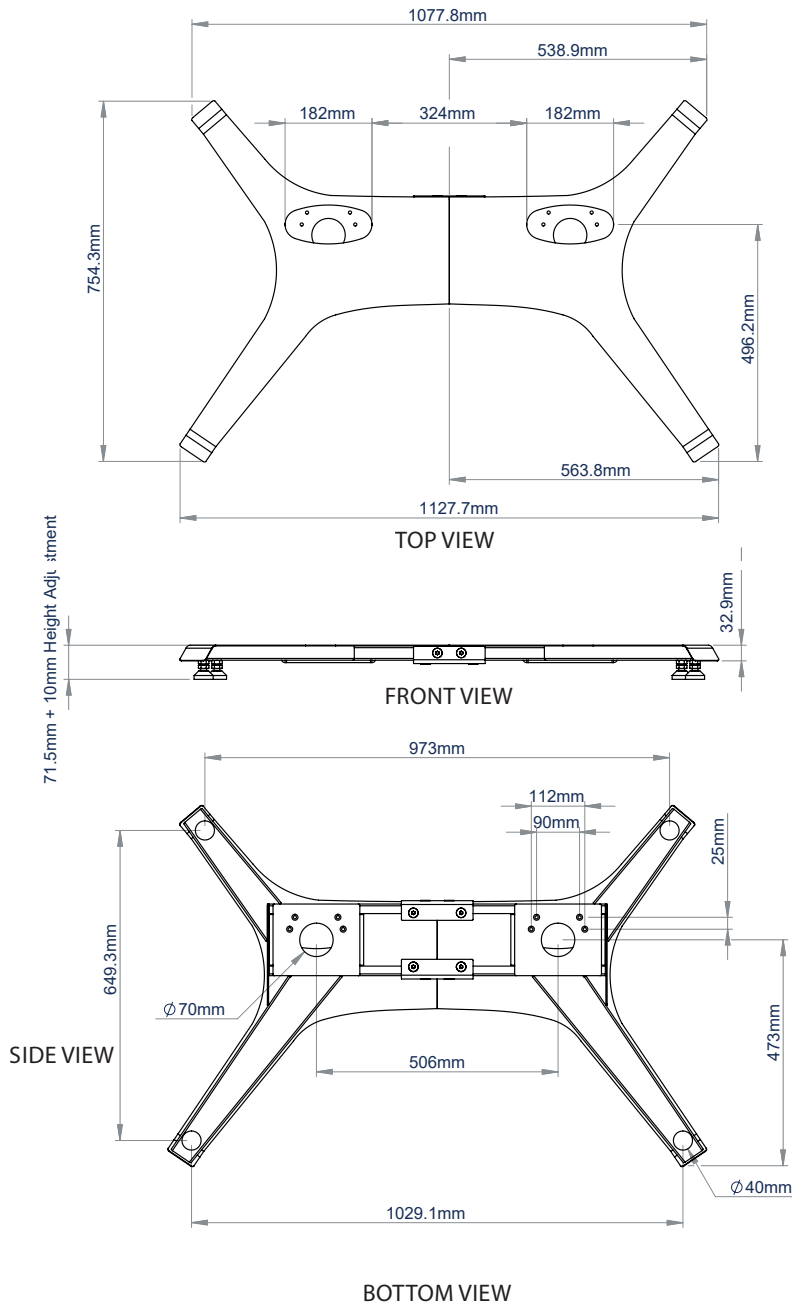
Integrated cable management throughout the base.



Base unit supplied in two parts for easy shipping



Braked Castors (BTW75-4) for a mobile solution are available separately



PACKING INFORMATION

COLOUR:	ORDER REF:	EAN CODE:	MASTER CARTON QTY:	MASTER CARTON WEIGHT:	MASTER CARTON CUBE:
Black	BT8385-TXB	5019318302916	1	17kg	0.066cbm

RELATED PRODUCTS

<p>BT8385-130 / 190</p>	<p>BT8385-SXB</p>	<p>BTW75-4</p>	<p>BT8585-RTC</p>
--------------------------------	--------------------------	-----------------------	--------------------------

Vertical Columns
 Available in Silver or Black

Single Column Base
 For use with a single BT8385 Vertical Column

Braked Casters
 Adds mobility to Mode-AL bases

Rail-To-Column mounting bracket
 For use with a BT8385 Vertical Column

© 2019 B-Tech Professional Design & Manufacturing Ltd. All rights reserved.
 The information in this specification is for reference only. It does not constitute an offer of any product or service. B-Tech Professional Design & Manufacturing Ltd. is not responsible for any damage or loss of data caused by the use of this information. B-Tech Professional Design & Manufacturing Ltd. is not responsible for any damage or loss of data caused by the use of this information. B-Tech Professional Design & Manufacturing Ltd. is not responsible for any damage or loss of data caused by the use of this information.