



ROTATE FROM LANDSCAPE TO PORTRAIT

BT8566

FLAT SCREEN TROLLEY WITH FLIP ROTATION FOR SAMSUNG FLIP®

As part of B-Tech's Designer Trolley range, the BT8566 is a high-end mounting solution ideal for the use of touchscreen displays such as the Samsung® Flip™*. The mount's rotational interface allows the user to easily rotate the display 90° for a smooth transition from landscape to portrait. Available in a choice of black, silver and white, with contrasting dual colour accents and a triangular shaped column. Cable management keeps finished installations looking neat and tidy. Non-marking, braked castors make repositioning quick and easy without marking or scuffing floor surfaces and AV components such as shelves can be fitted directly to the column to accessorise the install.

* For Samsung Flip 2 use with BT7550-SF2 adaptor arms

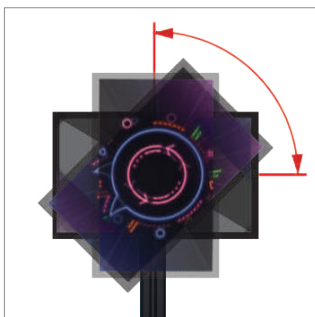
SPECIFICATION

| | |
|---------------------------|--------------------------------|
| Recommended screen size | 37" - 70" |
| Max load | 70kg |
| VESA® fixings | up to 600 x 400 |
| Trolley dimensions | H: 1932* W: 1075 D: 863mm |
| Rotation adjustment range | 90° |
| Tilt | -4.5° |
| Colour options | Black, Black & Silver or White |

*Measured from the floor to the top of the vertical column (including end cap)

FEATURES

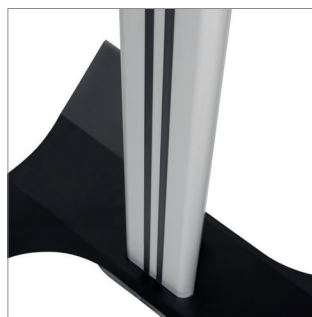
- Rotational interface allows screens to be rotated from landscape to portrait (and vice versa) in one smooth transition
- Rotation can be stopped or fixed at any angle between 0° and 90°
- 4.5° negative tilt provides an ergonomic, natural writing surface (ideal for Samsung Flip)
- Non-marking locking / braked castors
- Collar compatible accessories such as shelves (available separately) can be fitted directly to the column
- Integrated cable management for a smart installation
- Safety screws help prevent unauthorised removal of screen
- Dual colour options available for a modern, contemporary look
- Simple 'hook-on' screen installation with all mounting hardware included



Rotational Interface allows screens to be rotated from landscape to portrait in one smooth transition



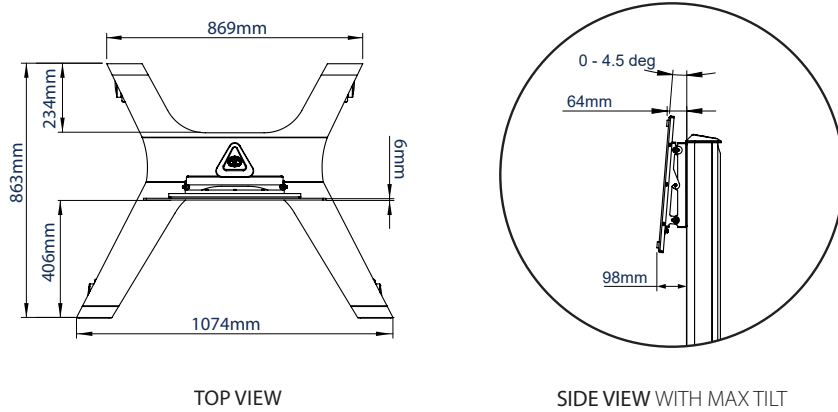
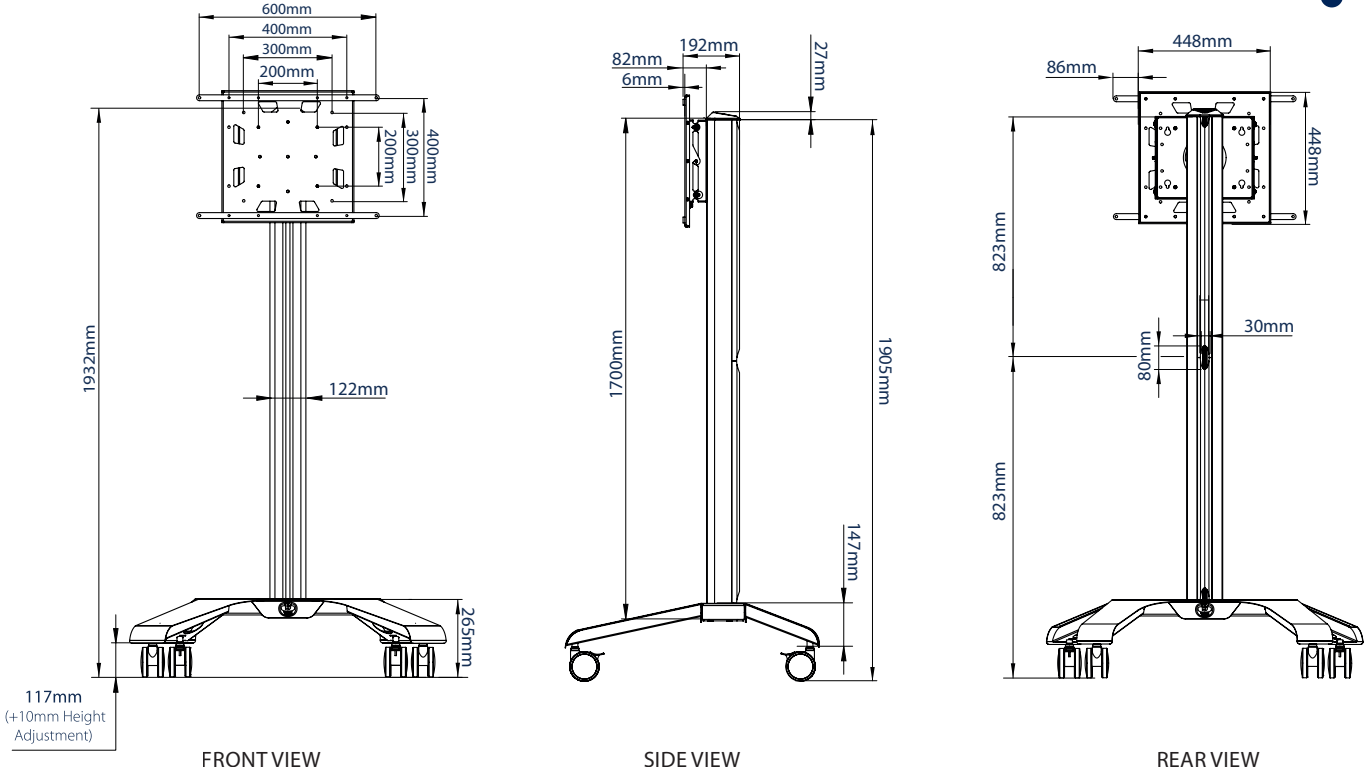
-4.5° negative tilt provides an ergonomic, natural writing surface (ideal for Samsung Flip)



Dual colour options available for a modern, contemporary look



Non-marking locking / braked castors included



PACKING INFORMATION

PLEASE NOTE, THIS IS A 3 BOX ITEM

| COLOUR: | ORDER REF: | EAN CODE: | MASTER CARTON WEIGHT: | MASTER CARTON CUBE: |
|----------------|------------|---------------|-----------------------|--------------------------------|
| Black | BT8566/BB | 5019318301858 | 30kg / 8kg / 14kg | 0.261cbm / 0.067cbm / 0.020cbm |
| Black & Silver | BT8566/BS | 5019318301865 | 30kg / 8kg / 14kg | 0.261cbm / 0.067cbm / 0.020cbm |
| White | BT8566/WW | 5019318301841 | 30kg / 8kg / 14kg | 0.261cbm / 0.067cbm / 0.020cbm |

ACCESSORIES AND RELATED PRODUCTS



BT7550-SF2
Interface Adapter Arms for Samsung® Flip 2™

BT7550
Rotational Flip Mount for screens up to 37" to 65" including Samsung's Flip and Flip 2

BT7052
Ø50mm Accessory Collar Designed to attach a variety of different mounts and accessories onto B-Tech poles

BT7850
Ø50mm Poles are designed to combine with B-Tech floor bases or ceiling mounts. Available in Black, Chrome or White.

© 2017 B-Tech International Pty Ltd. All rights reserved. This document is the property of B-Tech International Pty Ltd. No part of this document may be reproduced, stored in a retrieval system, or transmitted in any form or by any means, electronic, mechanical, photocopying, recording, or by any information storage and retrieval system, without the prior written permission of B-Tech International Pty Ltd. B-Tech International Pty Ltd. is not responsible for any errors or omissions in this document. B-Tech International Pty Ltd. is not responsible for any damage or loss of data that may result from the use of this document. B-Tech International Pty Ltd. is not responsible for any damage or loss of data that may result from the use of this document. B-Tech International Pty Ltd. is not responsible for any damage or loss of data that may result from the use of this document.

SS-V1.3-BT8566-22112