



FOR
INFILED
WP-SERIES
DVLED PANELS

BT93INFWP-S-4X4

FLOOR STAND

FOR INFILED WP SERIES
4X4 DVLED VIDEOWALL

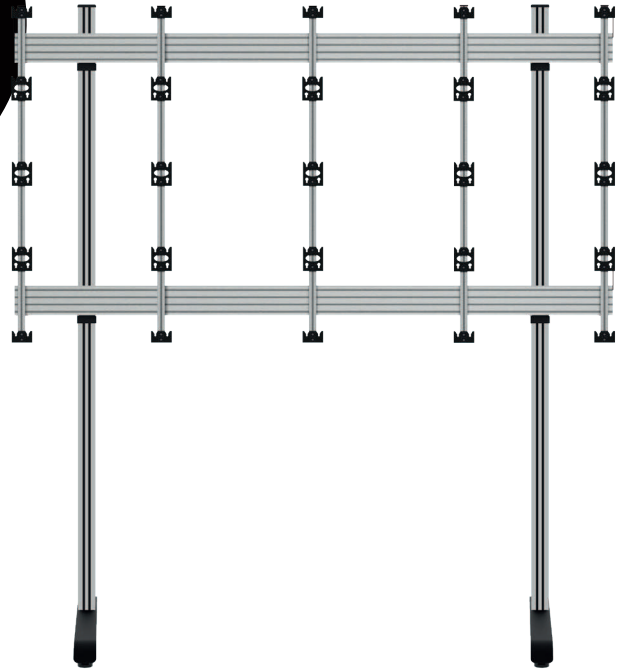
The BT93INFWP-S-4X4 is a freestanding mounting solution designed specifically to mount INFILED WP-Series DVLED panels in a 4x4 videowall configuration. A high-end aesthetic, anodised aluminium finish and integrated cable management ensures a smart and stylish installation which is quick and simple to install.

SPECIFICATION

Panel fixing method	Rear mounted
Colour (columns)	Black or Silver
Colour (mounting frame)	Silver
For indoor use only	

FEATURES

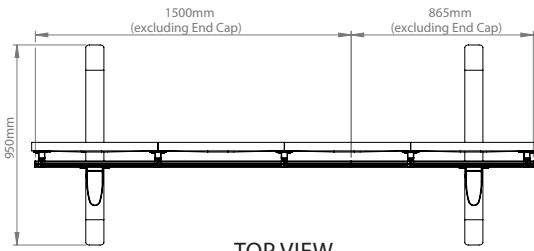
- Designed and configured specifically for INFILED WP-Series DVLED panels
- Keyhole mounting plates allow for easy rear fixed mounting
- Open frame allows panel access for servicing and maintenance
- Adjustable levelling feet to accommodate uneven floor surfaces
- Integrated cable management for tidy install
- Mobile, bolt-down and ceiling mounted versions also available
- All mounting hardware included



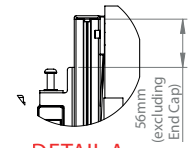
Integrated cable management for a tidy install



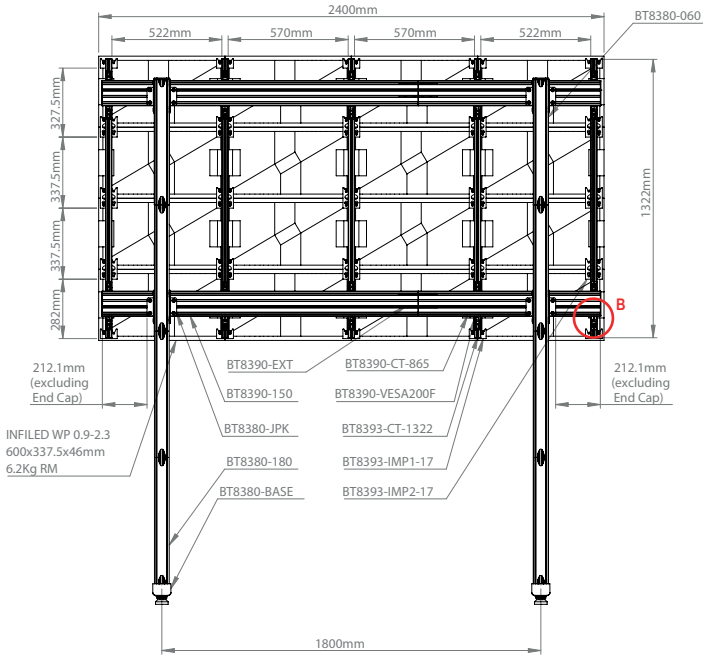
Adjustable levelling feet to accommodate uneven floor surfaces



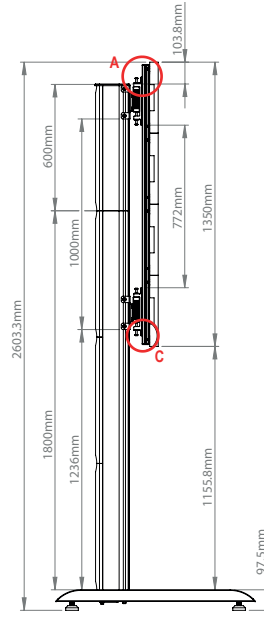
TOP VIEW



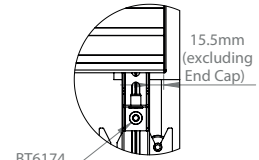
DETAIL A



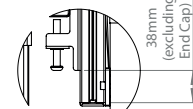
REAR VIEW



SIDE VIEW

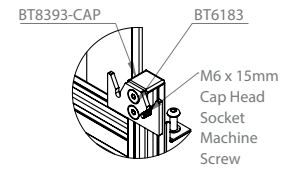


DETAIL B

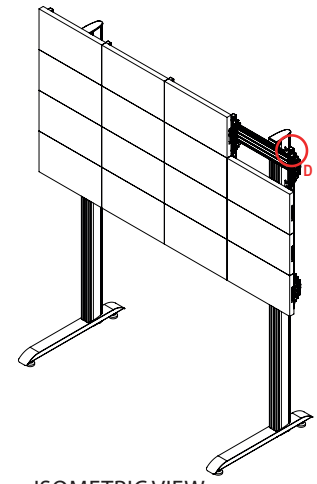


DETAIL C

DETAIL C



DETAIL D

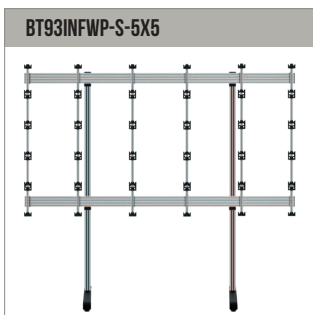


ISOMETRIC VIEW

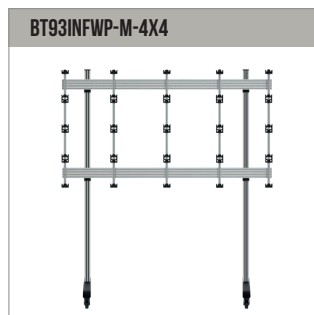
PACKING INFORMATION

COLOUR:	ORDER REF:	EAN CODE:
Black Base with Silver Columns	BT93INFWP-S-4X4/BS	5019318303135
Black Base with Black Columns	BT93INFWP-S-4X4/BB	5019318303142

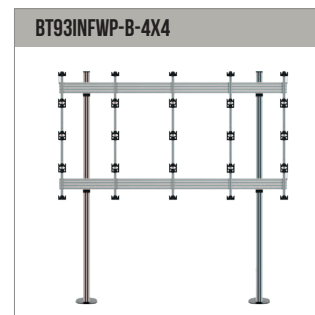
RELATED PRODUCTS



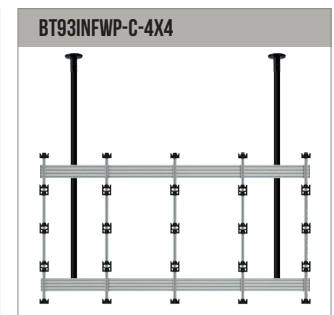
Floor Stand
for INFILED WP Series 5x5 DVLED Videowall



Mobile Trolley
for INFILED WP Series 4x4 DVLED Videowall



Bolt Down Stand
for INFILED WP Series 4x4 DVLED Videowall



Ceiling Mount
for INFILED WP Series 4x4 DVLED Videowall

© 2016 B-Tech Professional Design & Manufacturing Ltd. All rights reserved.
The information in this specification is for reference only. It is not intended to be used as a substitute for the actual product. B-Tech Professional Design & Manufacturing Limited reserves the right to change the technical specifications without prior notice. This B-Tech Professional Design & Manufacturing Limited product is designed and manufactured in the United Kingdom. B-Tech Professional Design & Manufacturing Limited is not responsible for any damage caused by improper installation or use. B-Tech Professional Design & Manufacturing Limited is not responsible for any damage caused by improper installation or use. B-Tech Professional Design & Manufacturing Limited is not responsible for any damage caused by improper installation or use. B-Tech Professional Design & Manufacturing Limited is not responsible for any damage caused by improper installation or use.

SS-V1-BT93INFWP-S-4X4-280520