



FOR LARGE  
 PORTRAIT  
 SCREENS

# BTF842

## SYSTEM X™

### UNIVERSAL DUAL STACK FLAT SCREEN FLOOR STAND - 2.4M

The BTF842 is a premium mounting solution designed to mount two screens in portrait orientation, one above the other. A heavy duty steel base eliminates the need to bolt to the floor and adjustable levelling feet are included to accommodate uneven surfaces. The high-end aesthetic with an anodised aluminium finish and integrated cable management ensures finished installations are neat and tidy, making the BTF842 ideal for use in professional or commercial applications.

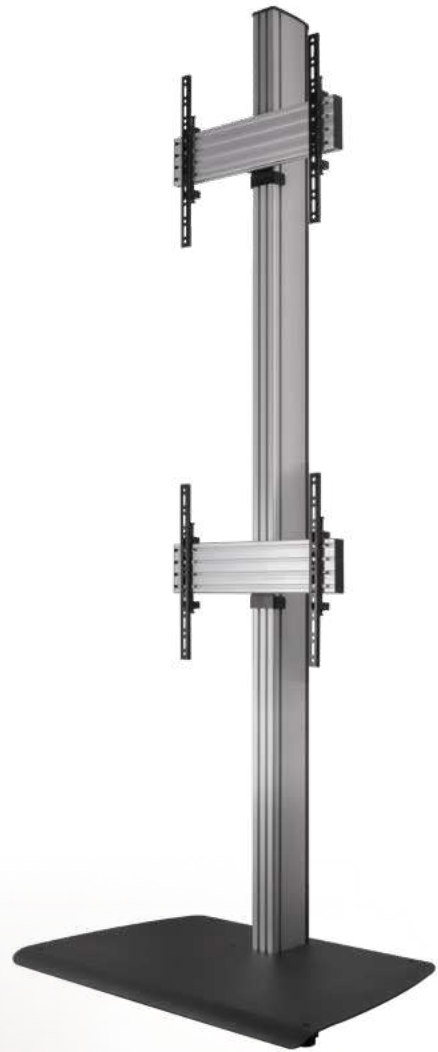
#### SPECIFICATION

Recommended screen size	47" - 65"
Max load	35kg per screen
VESA® & non-VESA fixings as standard	up to 472 x 400mm*
VESA® & non-VESA fixings with adaptors	up to 600 x 400mm*
Dimensions	W: 890mm H: 2441mm D: 604mm
Colour options (Column & Rails)	Black or Silver

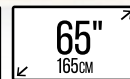
\*As standard the maximum fixing dimension is 400mm. Increase the vertical fixing to 600mm using the included interface adaptor arms.

#### FEATURES

- Universal design suitable for mounting screens in a portrait orientation
- Heavy duty steel base construction provides stability, eliminating the need to bolt to the floor
- Can also be bolted to the floor to help prevent unauthorised relocation of the display
- Supplied with adjustable levelling feet to accommodate uneven floor surfaces
- Arms feature levelling screws to adjust the screen height
- Collar compatible accessories such as shelves can be fitted directly to the column
- Integrated cable management for a neat and tidy installation
- Safety screws help prevent unauthorised screen removal
- Simple 'hook-on' screen installation



SYSTEM X™



PER SCREEN



Maximum vertical VESA fixing can be increased to 600mm using the included adaptor arms



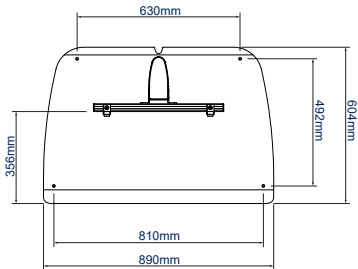
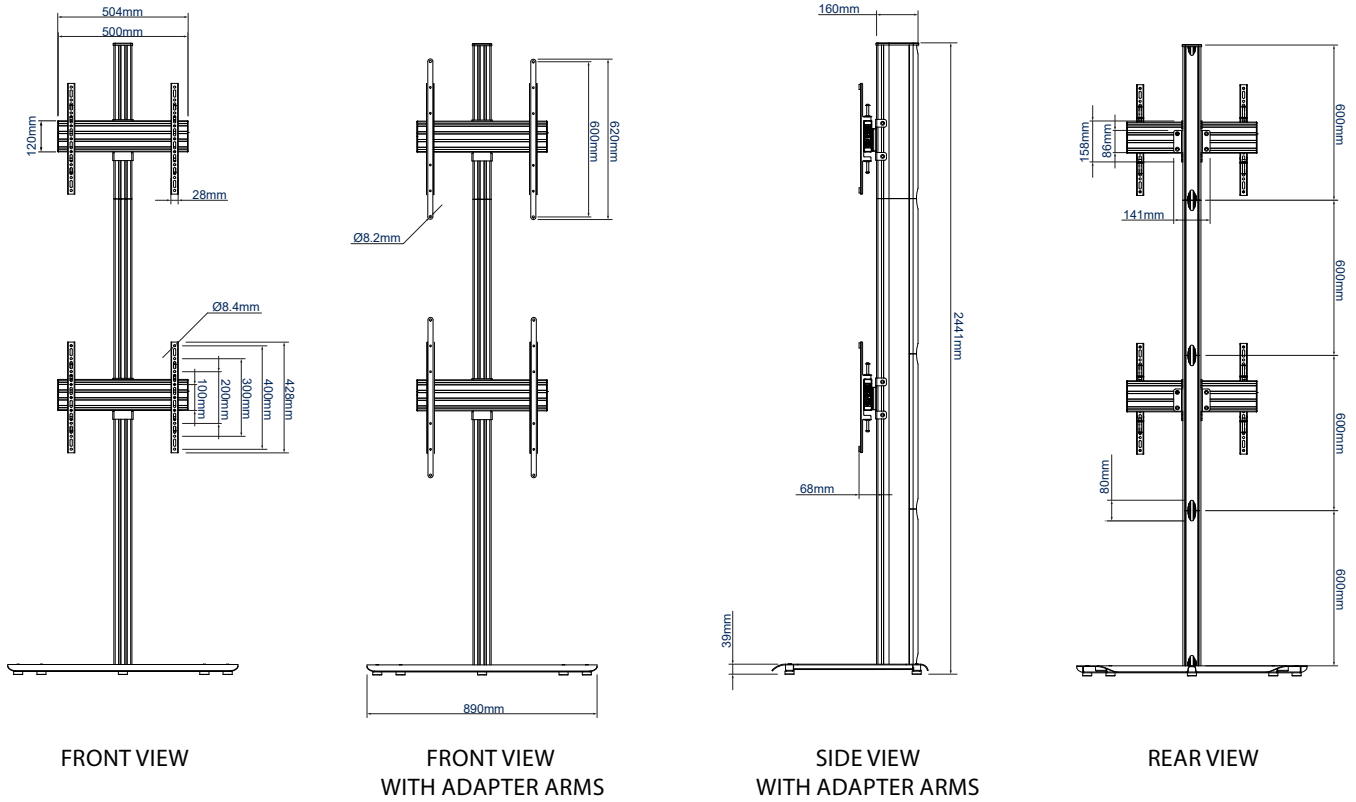
Supplied with adjustable levelling feet to accommodate uneven floor surfaces



Collar compatible accessories such as shelves (available separately) can be fitted directly to the column



Integrated cable management for a neat and tidy installation



TOP VIEW

**PACKING INFORMATION**

PLEASE NOTE, THIS IS A MULTI-BOX ITEM

COLOUR:	ORDER REF:	EAN CODE:	MASTER CARTON QTY:	CARTON QTY:	MASTER CARTON WEIGHT:	MASTER CARTON CUBE:
Black	BTF842/BB	5019318087585	N/A	3	20.5kg / 12.5kg/ /10.75kg	x2 0.07cbm / x0.03cbm
Silver	BTF842/BS	5019318087592	N/A	3	20.5kg / 12.5kg/ /10.75kg	x2 0.07cbm / x0.03cbm

**ACCESSORIES AND RELATED PRODUCTS**



**BT7032**  
**Large AV Accessory Shelf** is ideal for adding AV accessories such as a Blu-Ray player or laptop to an installation or a wall



**BT8390-VESA400T**  
**VESA 400 Interface Arms** designed to mount medium / large sized screens in a tilted position



**BTF840**  
**System X Flat Screen Floor Stand - 1.8m** designed to mount a single screen in portrait or landscape style



**BTF841**  
**System X Dual Stack Floor Stand - 1.8m** designed to mount two screens, one above the other, in portrait or landscape style

© 2016 B-Tech International Pty. Ltd. All rights reserved. The information in this specification is subject to change without notice. B-Tech International Design & Manufacturing Limited. B-Tech International is not responsible for any damage caused by improper or unauthorized installation, use, or modification of any part of this specification. B-Tech International Pty. Ltd. is not responsible for any damage caused by improper or unauthorized installation, use, or modification of any part of this specification. B-Tech International Pty. Ltd. is not responsible for any damage caused by improper or unauthorized installation, use, or modification of any part of this specification.

SS-V2-BTF842-060819