



FOR  
LARGE  
SCREENS

# BTF845

## UNIVERSAL TWIN SCREEN VC STAND

The BTF845 is a premium mounting solution designed to mount two screens side by side for video conferencing applications. A heavy duty steel base eliminates the need to bolt to the floor and adjustable levelling feet are included to accommodate uneven surfaces. The high-end aesthetic with an anodised aluminium finish and integrated cable management ensures finished installations are neat and tidy, making the BTF845 ideal for use in corporate environments.

### SPECIFICATION

Recommended screen size	47" - 55"
Max screen width	1318mm per screen
Max load	25kg per screen
VESA and non-VESA fixings	up to 600 x 400mm
Dimensions	W: 1754mm H: 1841mm D: 604mm
Colour options (Column & Rail)	Black or Silver

### FEATURES

- Universal design suitable for mounting two screens mounted side by side
- High-end aesthetic quality
- Includes VC shelf which can be fixed above or below the screens
- Heavy duty steel base construction provides stability, eliminating the need to bolt to the floor
- Can also be bolted to the floor to help prevent unauthorised relocation of the display
- Supplied with adjustable levelling feet to accommodate uneven floor surfaces
- Arms feature levelling screws to adjust the screen height
- Collar compatible accessories such as shelves can be fitted directly to the column
- Integrated cable management for a neat and tidy installation
- Safety screws help prevent unauthorised screen removal
- Simple 'hook-on' screen installation



SYSTEM X™



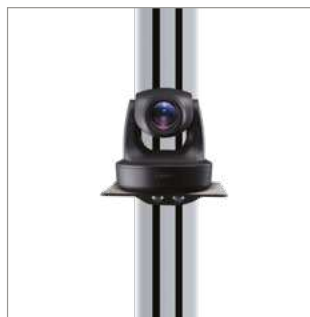
PER SCREEN



Maximum VESA fixing can be increased to 600mm using the included adapter arms



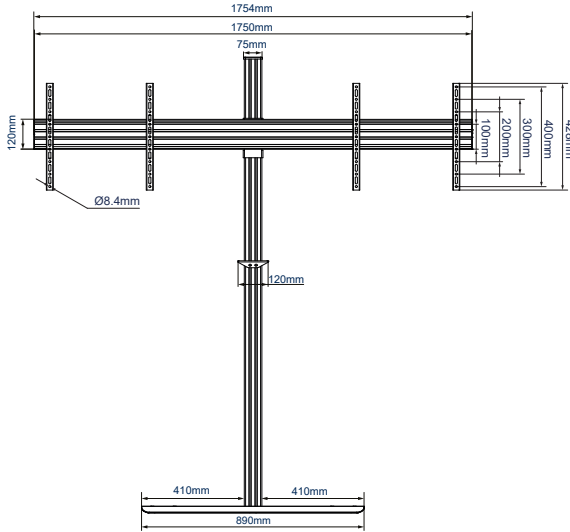
Supplied with adjustable levelling feet to accommodate uneven floor surfaces



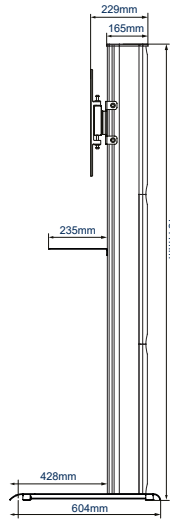
Includes VC shelf which can be fixed above or below the screens (VC camera sold separately)



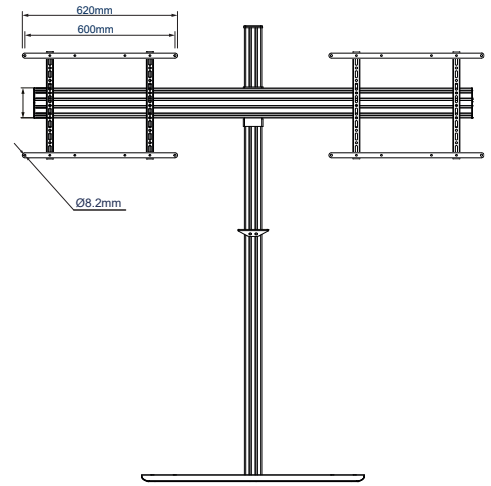
Integrated cable management for a neat and tidy installation



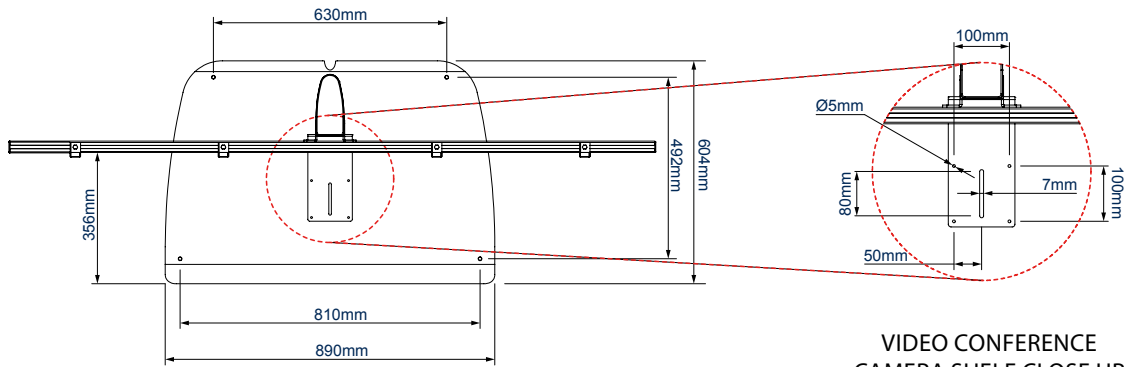
FRONT VIEW



SIDE VIEW



FRONT VIEW WITH ADAPTER ARMS



TOP VIEW

VIDEO CONFERENCE CAMERA SHELF CLOSE UP

PACKING INFORMATION

PLEASE NOTE, THIS IS A MULTI-BOX ITEM

COLOUR:	ORDER REF:	EAN CODE:	MASTER CARTON QTY:	CARTON QTY:	MASTER CARTON WEIGHT:	MASTER CARTON CUBE:
Black	BTF845/BB	5019318087646	N/A	3	20.5kg / 19.6kg / 7.25kg	x2 0.07cbm / x0.02cbm
Silver	BTF845/BS	5019318087653	N/A	3	20.5kg / 19.6kg / 7.25kg	x2 0.07cbm / x0.02cbm

ACCESSORIES AND RELATED PRODUCTS



**BT7032**  
Large AV Accessory Shelf is ideal for adding AV accessories such as a Blu-Ray player or laptop to an installation or a wall



**BT8390-VESA400T**  
VESA 400 Interface Arms designed to mount medium / large sized screens in a tilted position



**BTF841**  
System X Dual Stack Floor Stand - 1.8m designed to mount two screens, one above the other, in portrait or landscape style



**BTF844**  
System X Twin Screen VC Stand designed to mount two screens side by side in landscape orientation

© 2019 B-Tech International. Design of the B-Tech logo is the property of B-Tech International. All rights reserved. The information in this document is for reference only. B-Tech International and B-Tech logo are registered trademarks of B-Tech International. Design & Manufacturing Limited. We reserve the right to change the technical or physical specifications without prior notice. The B-Tech logo and B-Tech International are registered trademarks of B-Tech International. Design & Manufacturing Limited. All rights reserved. B-Tech International is not liable for loss or damage caused by improper or unauthorized use, installation or modification of any part of the product. B-Tech International is not liable for loss or damage caused by improper or unauthorized use, installation or modification of any part of the product. B-Tech International is not liable for loss or damage caused by improper or unauthorized use, installation or modification of any part of the product. B-Tech International is not liable for loss or damage caused by improper or unauthorized use, installation or modification of any part of the product. B-Tech International is not liable for loss or damage caused by improper or unauthorized use, installation or modification of any part of the product.