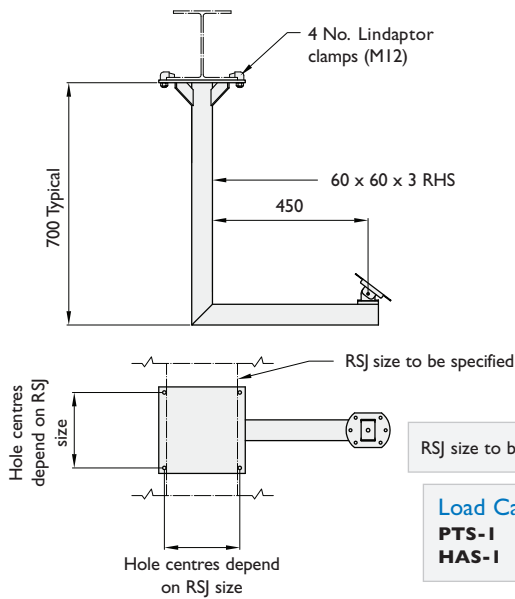


AW2133/SF

Underslung J bracket for fixed camera



RSJ size to be specified

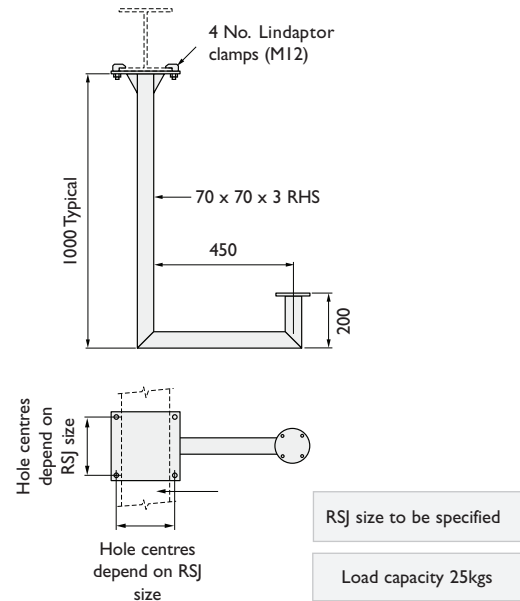
Load Capacities

PTS-I 10kgs
HAS-I 20kgs

RSJ Mounting Bracketry

AW2133/SPT

RSJ - underslung J bracket for PTZ

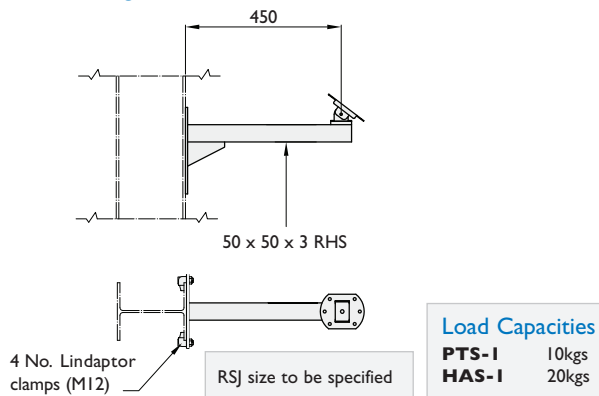


RSJ size to be specified

Load capacity 25kgs

AW1606/SF

Girder mounting bracket for fixed camera

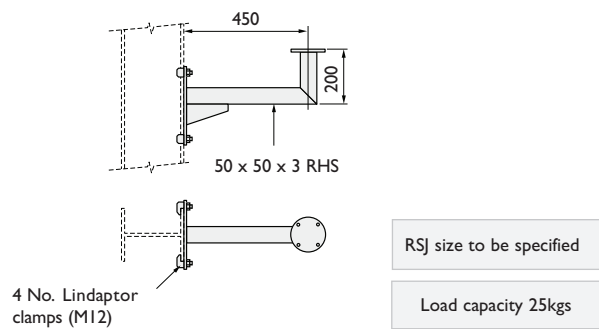


Load Capacities

PTS-I 10kgs
HAS-I 20kgs

AW1606/SPT

Girder mounting bracket for PTZ camera

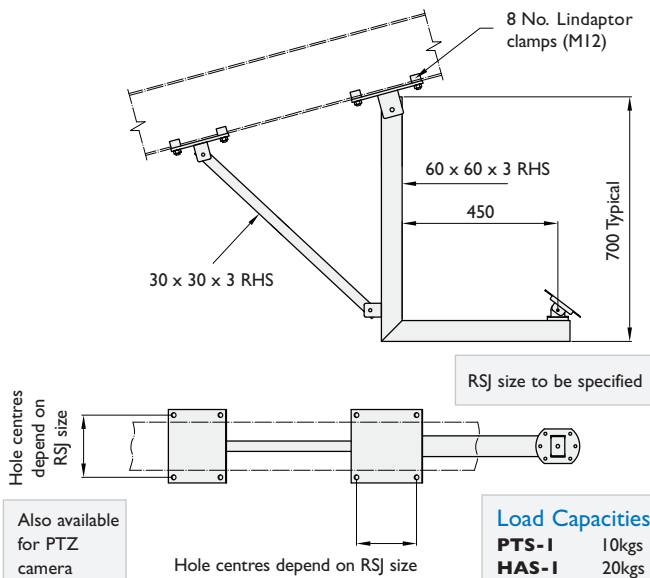


RSJ size to be specified

Load capacity 25kgs

AW2134/SF

Underslung J bracket for angled RSJ



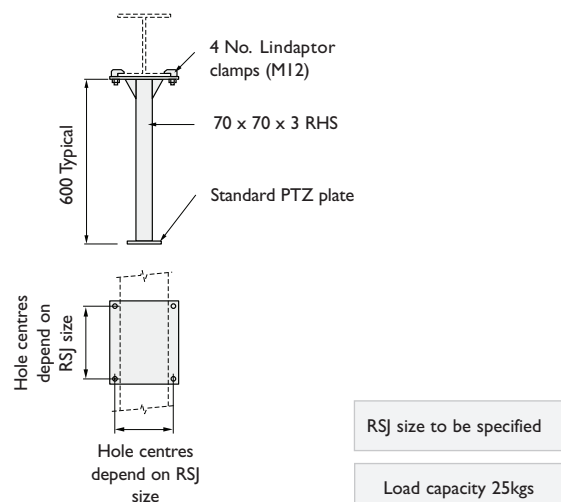
Load Capacities

PTS-I 10kgs
HAS-I 20kgs

Also available for PTZ camera

AW2007

Girder suspended bracket



RSJ size to be specified

Load capacity 25kgs

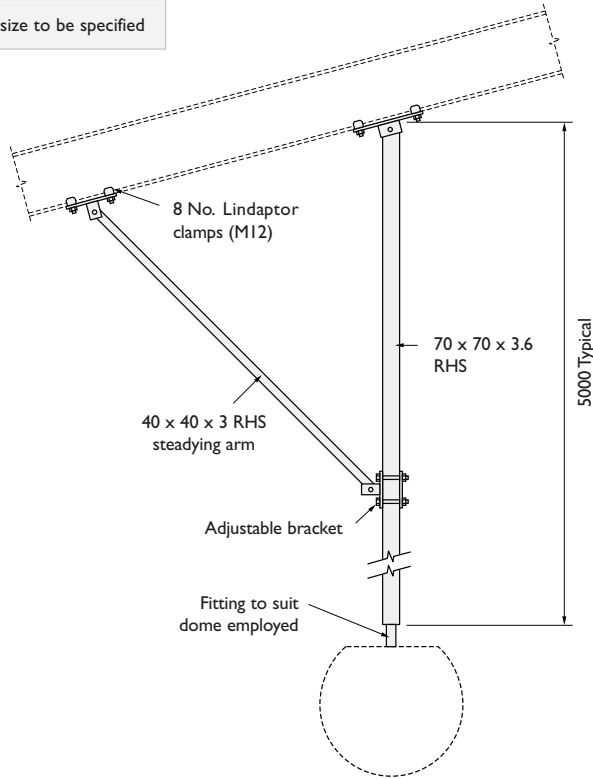
All brackets for camera mounting have a Ø127 mounting plate with Ø8.5 holes equi - spaced on 101.6 PCD

RSJ Mounting Underslung Bracketry

AW2032

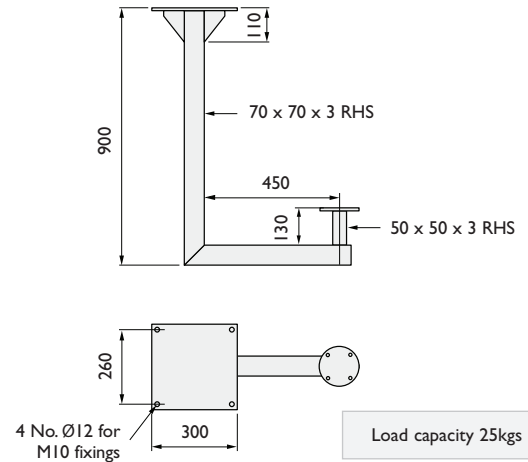
Suspended arm for dome

RSJ size to be specified



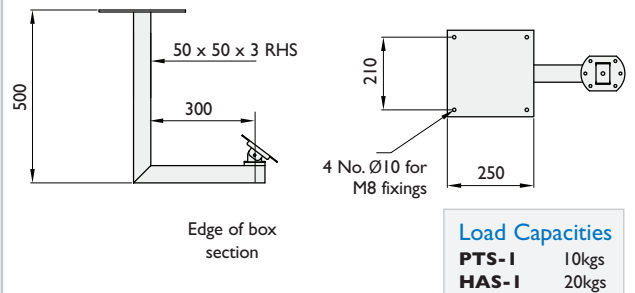
AW2053

Soffit underslung J bracket PTZ camera



AW1933

Soffit underslung J bracket fixed camera

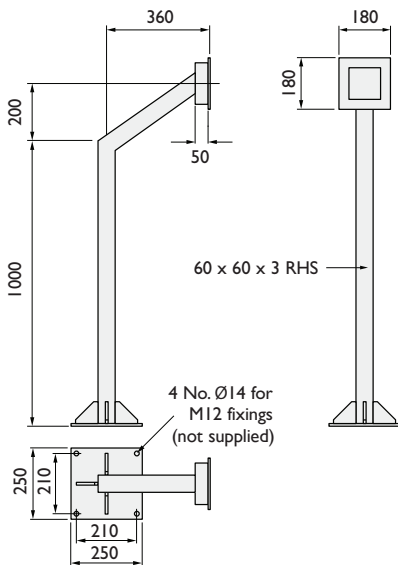


| Load Capacities | |
|-----------------|-------|
| PTS-I | 10kgs |
| HAS-I | 20kgs |

Pedestals

AW1915

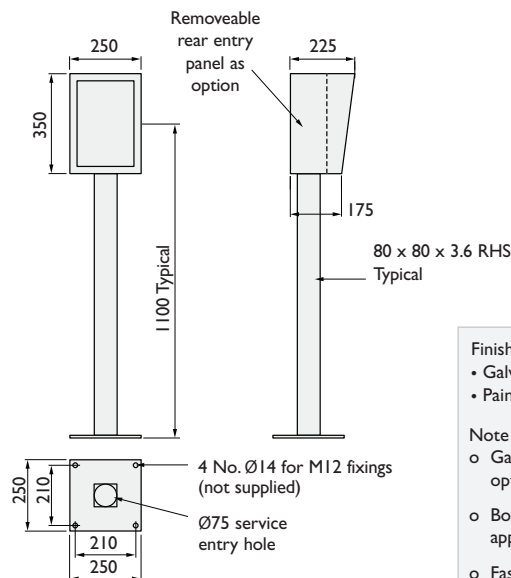
Car park entry pedestal



Pedestals are available for pedestrian and car entry as shown. Also taller versions for lorry and dual versions for car and lorry entry

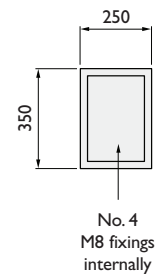
AW1995

Door entry pedestal



AW1995/WM

Wall mount door entry unit



Finishes available

- Galvanised
- Powdercoated
- Painted
- Stainless steel brushed

Note

- o Galvanised is standard finish - other finishes are optional and at additional cost
- o Box sizes are typical and can vary to suit application
- o Fascia plates produced for either surface mount or flush mount equipment
- o Dimensions are typical and can be specified to suit site requirements

All brackets for camera mounting have a Ø127 mounting plate with Ø8.5 holes equi - spaced on 101.6 PCD