

### Characteristics

#### Material

Stainless Steel 304L (EN 10088 1.4307)

- Body : 1.2 mm
- Door : 1.2 mm

Galvanized Steel (EN 10346 DX51D+Z)

- Mounting plate : 2 mm

#### Surface Finishing

- Scotch-brite brushed

#### IP Rating

- IP66 (TS 3033, EN 60529)

#### Others

- Fully welded construction
- Solid / glazed door
- Foamed-in door PU sealing gasket
- 135° concealed hinges
- 5mm Double-bit insert chrome coated zamak lock
- Bottom gland plate
- One piece PE gasket for gland plate



### On Request

- Special sizes
- Pre-punching
- Special locks
- Special mounting plate



### Supply Includes

- Body
- Door (Select ≈ **K**)
- Mounting plate (Option ≈ **M**)
- Gland plate with gasket
- 4/6 pcs wall brackets

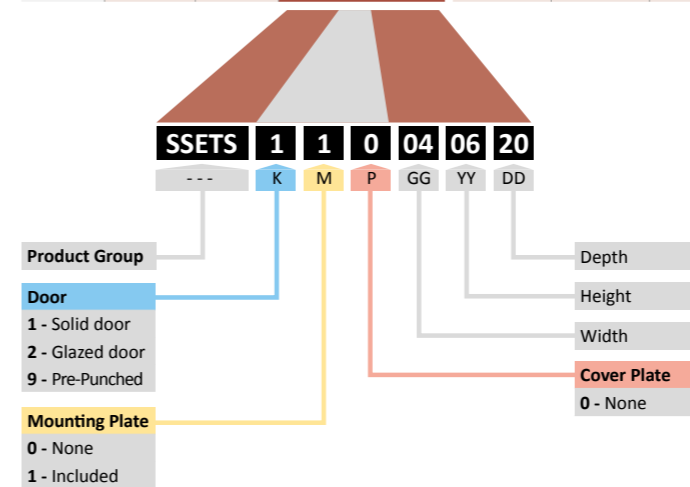
### Complementary Accessories

- Rain canopy
- Support base
- DIN rail
- Door inside mounting profile
- Pole fitting set
- Plastic cover plate
- Special locks and keys
- Earthing cable

Width A	Height B	Depth C	Reference	Door pcs	Lock Type *	Lock pcs	Hinge pcs	Wall Bracket pcs	Weight ** kg	Application Options		
										Glazed Door Y / N	Rain Canopy Y / N	Support Base Y / N
300	300	150	SSETS xxx 030315	1	C	1	2	4	6.5	✓	✓	✓
	400	150	SSETS xxx 030415	1	C	1	2	4	8.2	✓	✓	✓
	200	200	SSETS xxx 030420	1	C	1	2	4	9.0	✓	✓	✓
400	500	200	SSETS xxx 030520	1	C	1	2	4	10.9	✓	✓	✓
	400	200	SSETS xxx 040420	1	C	1	2	4	11.2	✓	✓	✓
	500	200	SSETS xxx 040520	1	C	1	2	4	13.4	✓	✓	✓
500	600	200	SSETS xxx 040620	1	C	2	2	4	14.8	✓	✓	✓
	300	300	SSETS xxx 040630	1	C	2	2	4	16.7	✓	✓	✓
	500	200	SSETS xxx 050520	1	C	1	2	4	16.0	✓	✓	✓
600	700	200	SSETS xxx 050720	1	C	2	3	4	21.2	✓	✓	✓
	300	300	SSETS xxx 050730	1	C	2	3	4	22.9	✓	✓	✓
	600	200	SSETS xxx 060620	1	C	2	2	4	22.1	✓	✓	✓
800	800	200	SSETS xxx 060820	1	C	2	3	6	28.0	✓	✓	✓
	300	300	SSETS xxx 060830	1	C	2	3	6	29.5	✓	✓	✓
	1000	300	SSETS xxx 061030	1	C	2	3	6	38.5	✓	✓	✓
1000	800	300	SSETS xxx 080830	1	C	2	3	6	39	✓	✓	✓
	1000	300	SSETS xxx 081030	1	C	2	4	6	49.5	✓	✓	✓
	1200	300	SSETS xxx 081230	1	C	2	4	6	63	✓	✓	✓
1000	1000	300	SSETS xxx 101030	2	I	1	4	6	64	-	✓	✓

\* C: Quarter Turn I: Rod-latch

\*\* For SSETS 110 GG YY DD





K →  
M →  
P →

Solid Door  
Mounting Plate  
---

Glazed Door  
Mounting Plate  
---

Width	Height	Depth	Door
A	B	C	
mm	mm	mm	pcs
300	300	150	1
		150	1
	400	200	1
		200	1
400	400	200	1
		200	1
	500	200	1
		300	1
500	700	200	1
		200	1
		300	1
600	600	200	1
		200	1
	800	300	1
		300	1
800	1000	300	1
		300	1
		300	1
1000	1000	300	2

Reference
SSETS 110 030315
SSETS 110 030415
SSETS 110 030420
SSETS 110 030520
SSETS 110 040420
SSETS 110 040520
SSETS 110 040620
SSETS 110 040630
SSETS 110 050520
SSETS 110 050720
SSETS 110 050730
SSETS 110 060620
SSETS 110 060820
SSETS 110 060830
SSETS 110 061030
SSETS 110 080830
SSETS 110 081030
SSETS 110 081230
SSETS 110 101030

Reference
SSETS 210 030315
SSETS 210 030415
SSETS 210 030420
SSETS 210 030520
SSETS 210 040420
SSETS 210 040520
SSETS 210 040620
SSETS 210 040630
SSETS 210 050520
SSETS 210 050720
SSETS 210 050730
SSETS 210 060620
SSETS 210 060820
SSETS 210 060830
SSETS 210 061030
SSETS 210 080830
SSETS 210 081030
SSETS 210 081230
--



K →  
M →  
P →

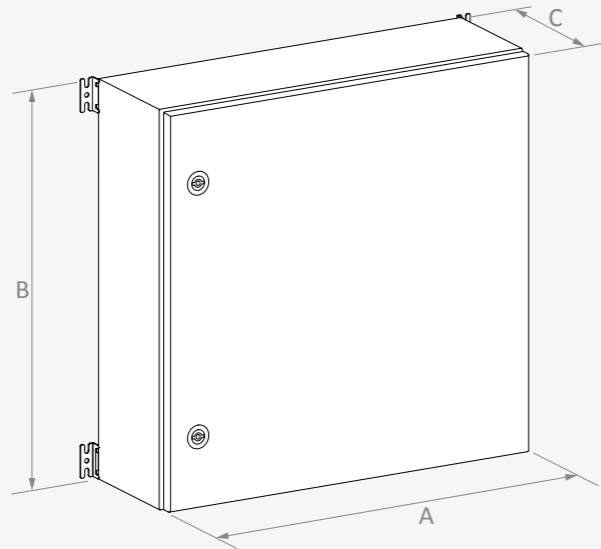
Pre-Punched Door  
Mounting Plate  
---

Solid Door  
---  
---

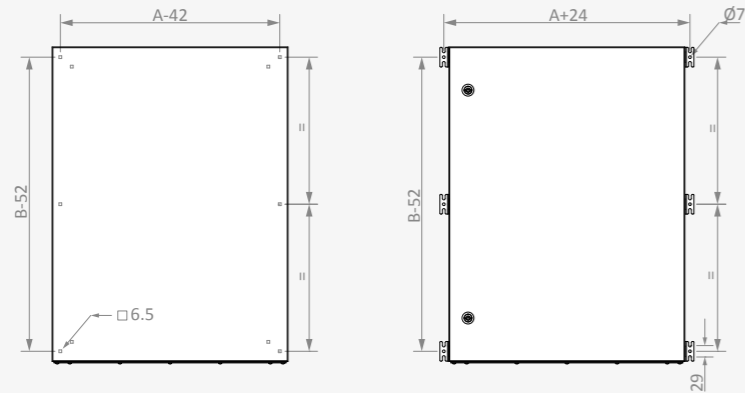
Width	Height	Depth	Door
A	B	C	
mm	mm	mm	pcs
300	300	150	1
		150	1
	400	200	1
		200	1
400	400	200	1
		200	1
	500	200	1
		300	1
500	700	200	1
		200	1
		300	1
600	600	200	1
		200	1
	800	300	1
		300	1
800	1000	300	1
		300	1
		300	1
1000	1000	300	2

Reference
SSETS 910 030315
SSETS 910 030415
SSETS 910 030420
SSETS 910 030520
SSETS 910 040420
SSETS 910 040520
SSETS 910 040620
SSETS 910 040630
SSETS 910 050520
SSETS 910 050720
SSETS 910 050730
SSETS 910 060620
SSETS 910 060820
SSETS 910 060830
SSETS 910 061030
SSETS 910 080830
SSETS 910 081030
SSETS 910 081230
SSETS 910 101030

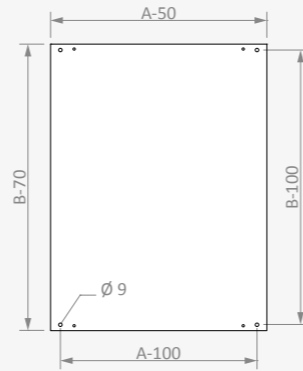
Reference
SSETS 100 030315
SSETS 100 030415
SSETS 100 030420
SSETS 100 030520
SSETS 100 040420
SSETS 100 040520
SSETS 100 040620
SSETS 100 040630
SSETS 100 050520
SSETS 100 050720
SSETS 100 050730
SSETS 100 060620
SSETS 100 060820
SSETS 100 060830
SSETS 100 061030
SSETS 100 080830
SSETS 100 081030
SSETS 100 081230
SSETS 100 101030



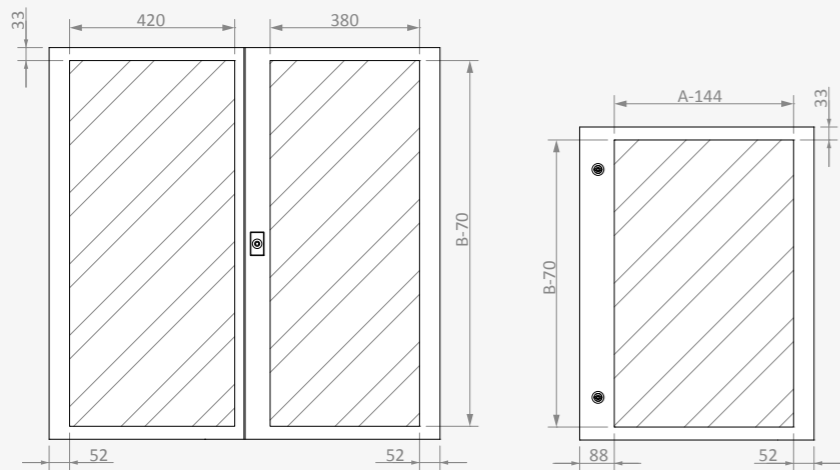
WALL MOUNTING



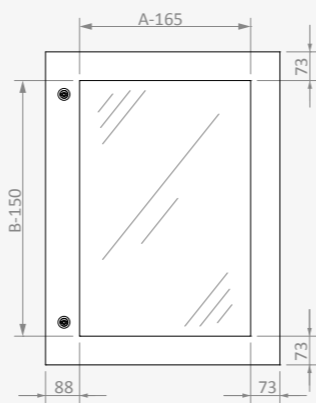
MOUNTING PLATE



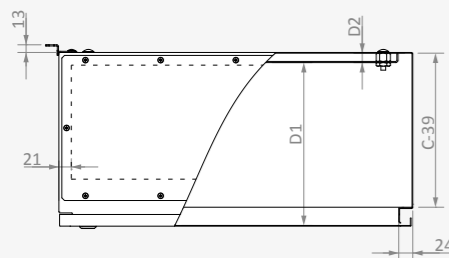
SOLID DOOR USEFUL AREA



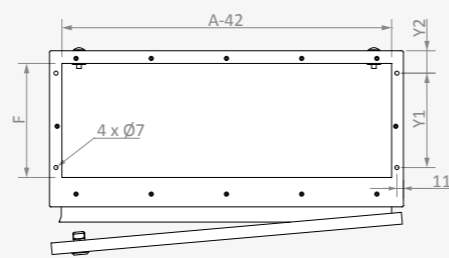
GLAZED DOOR APPARENT AREA



DEPTH DIMENSIONS



Width	Depth	D1	D2	F	Y1	Y2
A	C	D1	D2	F	Y1	Y2
A < 600	150	129	13	59	45	23
	200	179	13	109	80	38
	300	279	13	193	160	38
A ≥ 600	200	176	16	109	80	38
	300	276	16	193	160	38

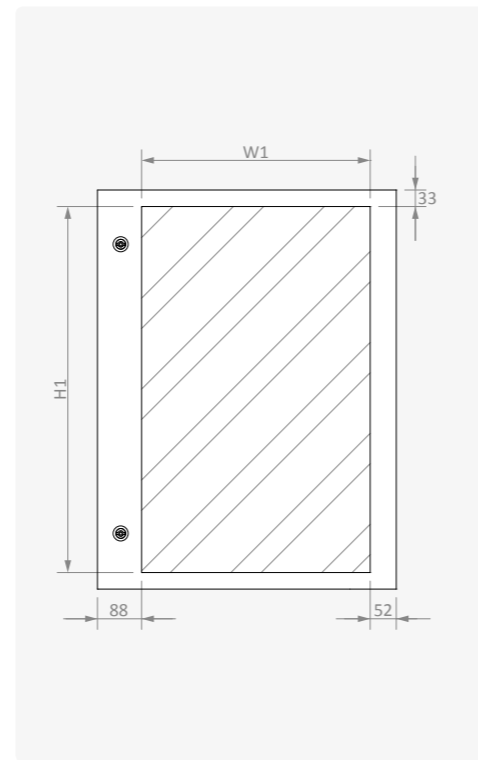


Width A	Height B	Depth C	Reference	Useful Area			Glazed Door Apparent Area		Gland Plate			Wall Mounting				Mounting Plate	
				Door ↔ mm	↕ mm	↗ mm	↔ mm	↕ mm	# pcs	↔ mm	↗ mm	↔ mm	↕ mm	↔ mm	↕ mm	↔ mm	↕ mm
300	300	150	SSETS xxx 030315	156	230	127	135	150	1	260	60	324	248	258	248	250	230
	400	150	SSETS xxx 030415	156	330	127	135	250	1	260	60	324	348	258	348	250	330
		200	SSETS xxx 030420	156	330	177	135	250	1	260	110	324	348	258	348	250	330
	500	200	SSETS xxx 030520	156	430	177	135	350	1	260	110	324	448	258	448	250	430
400	400	200	SSETS xxx 040420	256	330	177	235	250	1	360	110	424	348	358	348	350	330
	500	200	SSETS xxx 040520	256	430	177	235	350	1	360	110	424	448	358	448	350	430
	600	200	SSETS xxx 040620	256	530	177	235	450	1	360	110	424	548	358	548	350	530
		300	SSETS xxx 040630	256	530	277	235	450	1	360	210	424	548	358	548	350	530
500	500	200	SSETS xxx 050520	356	430	177	335	350	1	460	110	524	448	458	448	450	430
	700	200	SSETS xxx 050720	356	630	177	335	550	1	460	110	524	648	458	648	450	630
		300	SSETS xxx 050730	356	630	277	335	550	1	460	210	524	648	458	648	450	630
600	600	200	SSETS xxx 060620	456	530	177	435	450	1	560	110	624	548	558	548	550	530
	800	200	SSETS xxx 060820	456	730	177	435	650	1	560	110	624	748	558	748	550	730
		300	SSETS xxx 06 0830	456	730	277	435	650	1	560	210	624	748	558	748	550	730
	1000	300	SSETS xxx 061030	456	950	277	435	850	1	560	210	624	948	558	948	550	930
800	800	300	SSETS xxx 080830	656	730	277	635	650	1	760	210	824	748	758	748	750	730
	1000	300	SSETS xxx 081030	656	930	277	635	850	1	760	210	824	948	758	948	750	930
	1200	300	SSETS xxx 081230	656	1130	277	635	1150	1	760	210	824	1148	758	1148	750	1130
1000	1000	300	SSETS xxx 101030	856	930	277	835	850	1	960	210	1024	948	958	948	950	930

**SOLID DOOR**

Reference	Width		Height		Useful Area		Door	Lock Type	Lock	Hinge	Thickness	Weight
	A mm	B mm	W1 mm	H1 mm	pcs	*						
SSETS KP 0303	300	300	156	230	1	C	1	2	1.2	1.1		
SSETS KP 0304	300	400	156	330	1	C	1	2	1.2	1.5		
SSETS KP 0305	300	500	156	430	1	C	1	2	1.2	1.8		
SSETS KP 0404	400	400	256	330	1	C	1	2	1.2	1.9		
SSETS KP 0405	400	500	256	430	1	C	1	2	1.2	2.4		
SSETS KP 0406	400	600	256	530	1	C	2	2	1.2	2.8		
SSETS KP 0505	500	500	356	430	1	C	1	2	1.2	2.9		
SSETS KP 0507	500	700	356	630	1	C	1	3	1.2	4.0		
SSETS KP 0606	600	600	456	530	1	C	2	2	1.2	4.1		
SSETS KP 0608	600	800	456	730	1	C	2	3	1.2	5.4		
SSETS KP 0610	600	1000	456	930	1	C	2	3	1.2	6.7		
SSETS KP 0808	800	800	656	730	1	C	2	3	1.2	7.1		
SSETS KP 0810	800	1000	656	930	1	C	2	4	1.5	11.1		
SSETS KP 0812	800	1200	656	1130	1	C	2	4	1.5	12.5		
SSETS KP 1010	1000	1000	420 + 380	930	2	I	1	4+4	1.5	13.9		

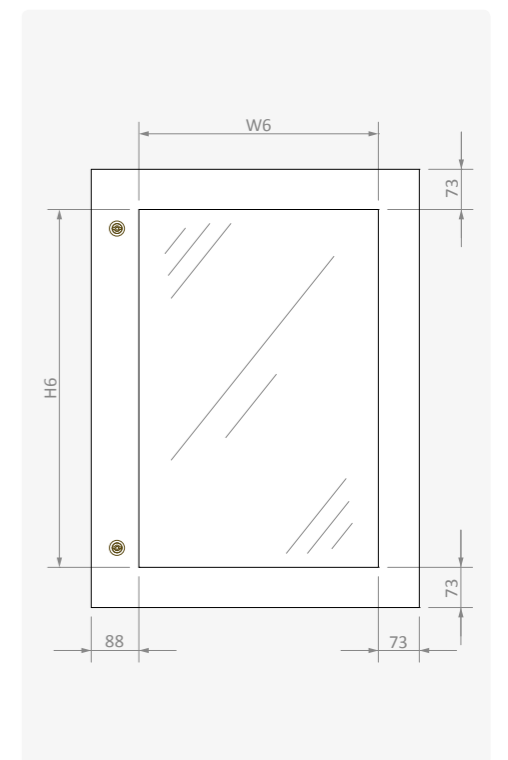
Characteristics		Supply Includes	
Material	Stainless Steel 304L (EN 10088 1.4307)	Lock	Double door gutter gasket
Surface Finishing	Scotch-brite brushed	* C: Quarter Turn	I: Rod-latch



**GLAZED DOOR**

Reference	Width		Height		Apparent Area		Door	Lock Type	Lock	Hinge	Thickness	Weight
	A mm	B mm	W6 mm	H6 mm	pcs	*						
SSETS KPX 0303	300	300	135	150	1	C	1	2	1.2	1.1		
SSETS KPX 0304	300	400	135	250	1	C	1	2	1.2	1.5		
SSETS KPX 0305	300	500	135	350	1	C	1	2	1.2	1.8		
SSETS KPX 0404	400	400	235	250	1	C	1	2	1.2	1.9		
SSETS KPX 0405	400	500	235	350	1	C	1	2	1.2	2.4		
SSETS KPX 0406	400	600	235	450	1	C	2	2	1.2	2.8		
SSETS KPX 0505	500	500	335	350	1	C	1	2	1.2	2.9		
SSETS KPX 0507	500	700	335	550	1	C	1	3	1.2	4.0		
SSETS KPX 0606	600	600	435	450	1	C	2	2	1.2	4.1		
SSETS KPX 0608	600	800	435	650	1	C	2	3	1.2	5.4		
SSETS KPX 0610	600	1000	435	850	1	C	2	3	1.2	6.7		
SSETS KPX 0808	800	800	635	650	1	C	2	3	1.2	7.1		
SSETS KPX 0810	800	1000	635	850	1	C	2	4	1.5	11.1		
SSETS KPX 0812	800	1200	635	1150	1	C	2	4	1.5	11.9		

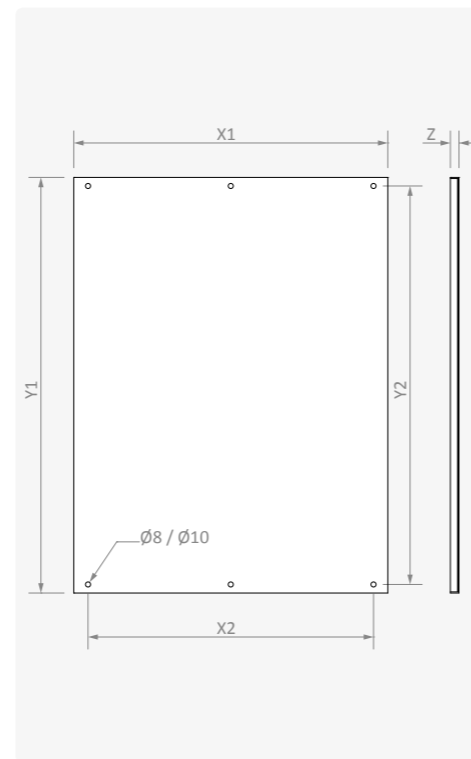
Characteristics		Supply Includes	
Material	Stainless Steel 304L (EN 10088 1.4307) / 4mm tempered glass	Lock	
Surface Finishing	Scotch-brite brushed	* C: Quarter Turn	



**MOUNTING PLATE**

Reference	Width		External Dimensions			Mounting Dimensions			Weight kg
	A mm	B mm	X1 mm	Y1 mm	Z mm	X2 mm	Y2 mm	D mm	
ETS TS 0303	300	300	250	230	12	200	200	M6	1.0
ETS TS 0304	300	400	250	330	12	200	300	M6	1.4
ETS TS 0305	300	500	250	430	12	200	400	M6	1.8
ETS TS 0404	400	400	350	330	12	300	300	M6	1.9
ETS TS 0405	400	500	350	430	12	300	400	M6	2.5
ETS TS 0406	400	600	350	530	12	300	500	M6	3.1
ETS TS 0505	500	500	450	430	12	400	400	M6	3.3
ETS TS 0507	500	700	450	630	12	400	600	M6	4.8
ETS TS 0606	600	600	550	530	15	500	500	M8	5.0
ETS TS 0608	600	800	550	730	15	500	700	M8	6.9
ETS TS 0610	600	1000	550	930	15	500	900	M8	8.7
ETS TS 0808	800	800	750	730	15	700	700	M8	6.8
ETS TS 0810	800	1000	750	930	15	700	900	M8	11.7
ETS TS 0812	800	1200	750	1130	15	700	1100	M8	14.2
ETS TS 1010	1000	1000	950	930	15	900	900	M8	14.8

Characteristics	
Material	DIN EN 10346 DX51D+Z galvanized
Thickness	1.5 - 2 mm

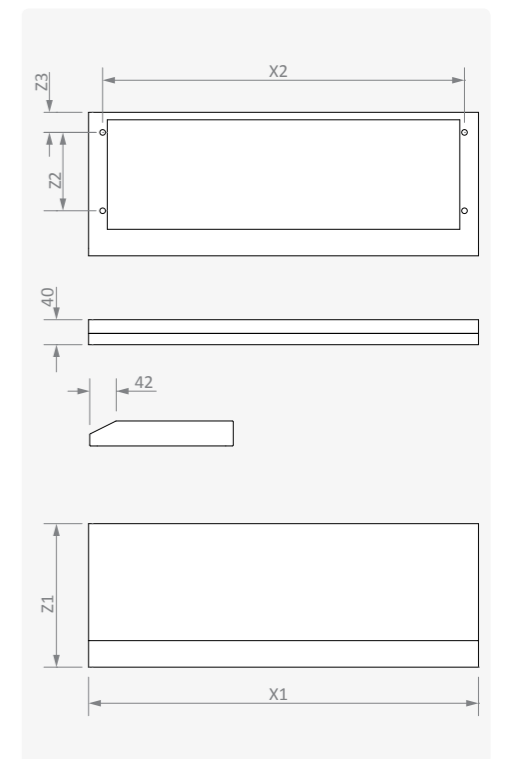


**RAIN CANOPY**

Reference	Width		Depth		External Dimensions		Mounting Dimensions			Weight kg
	A mm	C mm	X1 mm	Z1 mm	X2 mm	Z2 mm	Z3 mm			
SSETS HS 0315	300	150	325	175	278	45	23	1.1		
SSETS HS 0320	300	200	325	225	278	80	38	1.6		
SSETS HS 0420	400	200	425	225	378	80	38	2.0		
SSETS HS 0430	400	300	425	325	378	160	38	2.4		
SSETS HS 0520	500	200	525	225	478	80	38	2.4		
SSETS HS 0530	500	300	575	325	478	160	38	3.0		
SSETS HS 0620	600	200	625	225	578	80	38	2.7		
SSETS HS 0630	600	300	625	325	578	160	38	3.4		
SSETS HS 0820	800	200	825	225	778	80	38	3.6		
SSETS HS 0830	800	300	825	325	778	160	38	4.7		
SSETS HS 1030	1000	300	1025	325	978	160	38	5.6		

Characteristics	
Material	Stainless Steel 304L (EN 10088 1.4307)
Surface Finishing	Scotch-brite brushed
Thickness	1.2 - 1.5 mm

Supply Includes	
Mounting fasteners	



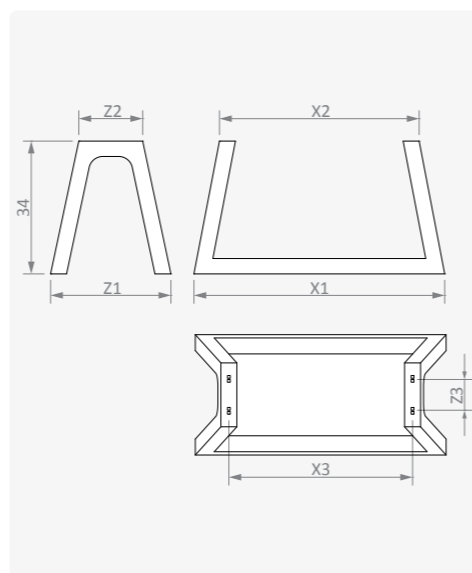


SUPPORT BASE

Reference	Width		Depth		External Dimensions		Mounting Dimensions			Weight kg
	A mm	C mm	X1 mm	Z1 mm	X2 mm	Z2 mm	X3 mm	Z3 mm		
SSETS AT 0315	300	150	445	255	300	110	278	45	2.8	
SSETS AT 0320	300	200	445	305	300	160	278	80	2.9	
SSETS AT 0420	400	200	545	305	400	160	378	80	3.1	
SSETS AT 0430	400	300	545	405	400	260	378	160	3.2	
SSETS AT 0520	500	200	645	305	500	160	478	80	3.4	
SSETS AT 0530	500	300	645	405	500	260	478	160	3.5	
SSETS AT 0620	600	200	745	305	600	160	578	80	3.6	
SSETS AT 0630	600	300	745	405	600	260	578	160	3.7	
SSETS AT 0830	800	300	945	405	800	260	778	160	4.4	
SSETS AT 1030	1000	300	1145	405	1000	260	978	160	5.2	

Characteristics	
Material	Stainless Steel 304L (EN 10088 1.4307)
Surface Finishing	Scotch-brite brushed
Thickness	2 mm

Supply Includes	
Mounting fasteners	

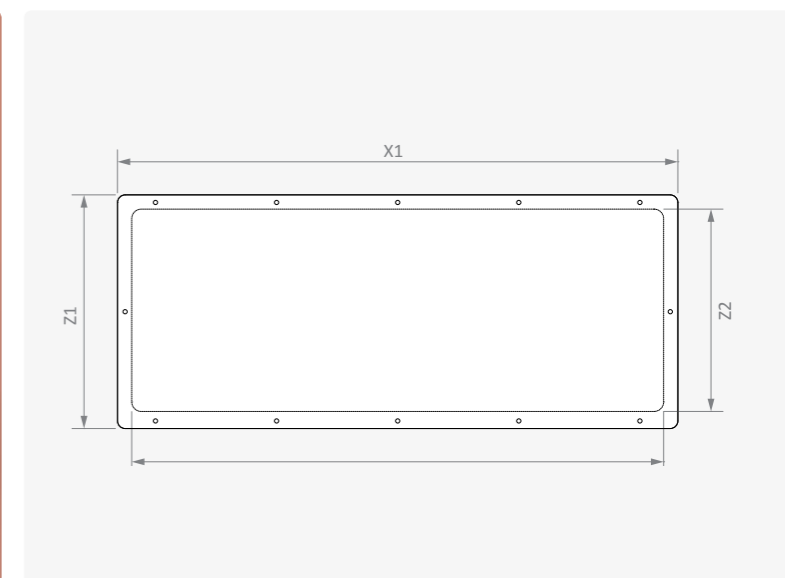


CABLE GLAND PLATE

Reference	Width		Depth		External Dimensions		Useful Area		Weight kg
	A mm	C mm	X1 mm	Z1 mm	X2 mm	Z2 mm			
SSETS GP 3015	300	150	290	96	260	60	0.4		
SSETS GP 3020	300	200	290	146	260	110	0.6		
SSETS GP 4020	400	200	390	146	360	110	0.7		
SSETS GP 4030	400	300	390	246	360	210	0.9		
SSETS GP 5020	500	200	490	146	460	110	0.9		
SSETS GP 5030	500	300	490	246	460	210	1.1		
SSETS GP 6020	600	200	590	146	560	110	1.1		
SSETS GP 6030	600	300	590	246	560	210	1.3		
SSETS GP 8020	800	200	790	146	760	110	1.5		
SSETS GP 8030	800	300	790	246	760	210	2.4		

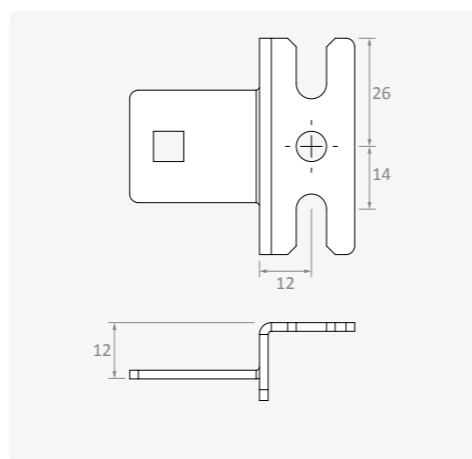
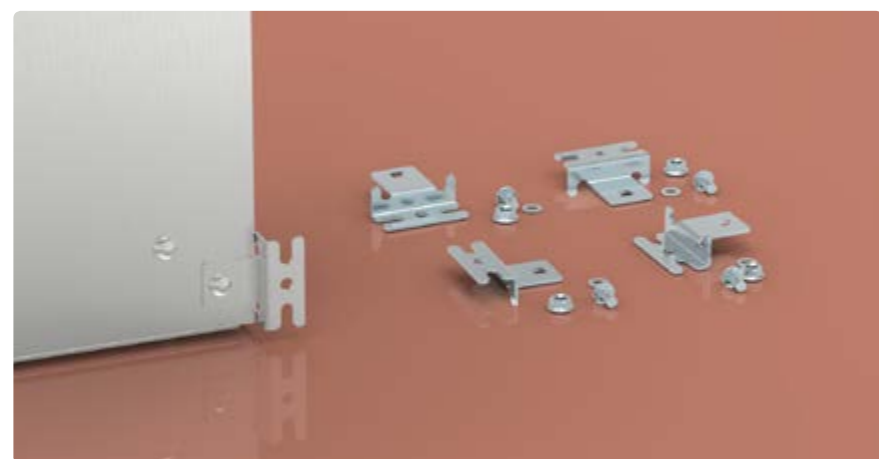
Characteristics	
Material	Stainless Steel 304L (EN 10088 1.4307)
Surface Finishing	Scotch-brite brushed
Thickness	1.5 mm

Supply Includes	
One piece PE gasket	
Mounting fasteners	



WALL BRACKETS

Reference	Packet pcs/packet	Weight kg/packet	Characteristics		Supply Includes
			Material	Stainless Steel 304L (EN 10088 1.4307)	
SSAK KL 010	4	0.16	Surface Finishing	Scotch-brite brushed	Mounting fasteners
SSAK KL 011	6	0.25	Thickness	2 mm	



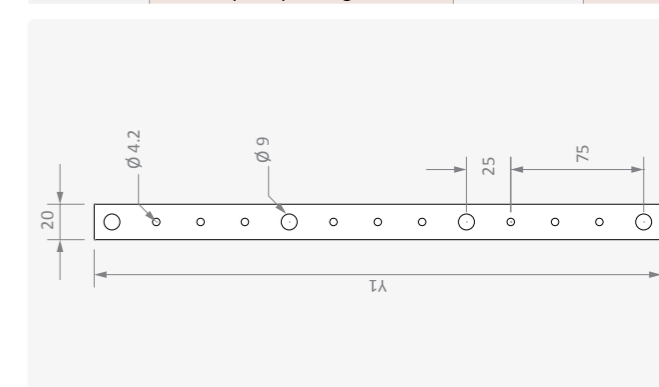
MOUNTING PROFILE INSIDE DOOR

Reference	Height	Length	Weight
	B	Y1	
AS KU Y00400	300	220	1.1
AS KU Y00500	400	320	1.2
AS KU Y00600	500	420	0.3
AS KU DRM100	600	520	0.4



Reference	Height	Length	Weight
	B	Y1	
AS KU Y00800	700	620	0.4
AS KU D00900	800	720	0.5
AS KU DRM120	1000	920	0.6
AS KU DRM150	1200	1120	0.8

Characteristics	
Material	20x20 square profile galvanized
Thickness	1.2 mm



STAINLESS STEEL ENCLOSURES

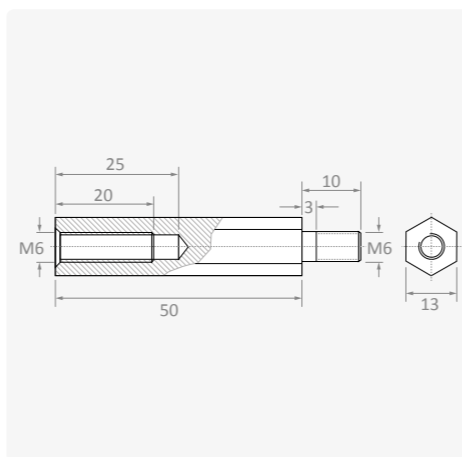
STAINLESS STEEL ENCLOSURES

STANDOFF

Reference	External Dimensions		Width Across Flats	Mounting Dimensions	Packet	Weight
	H mm	L mm				
HD BM 00000196	25	13	M6 / M6	male / female	20	0.5
HD BM 00000200	50					1.1
HD BM 00000240	75					1.6
HD BM 00000210	125					2.3
HD BM 00000220	50	17	M8 / M8	male / female	20	1.8
HD BM 00000230	125					4.7

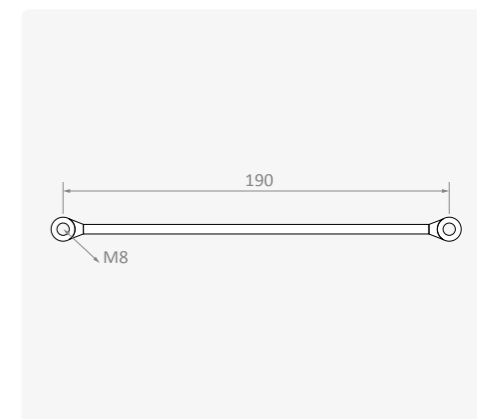
Characteristics

Material	Hexagonal free-cutting steel
Surface Finishing	Zinc coated; Cr <sup>3+</sup> passivation
Connection	male/female



EARTHING CABLE

Reference	Material	Cross-Section	Length	Connection	Packet	Weight
		mm <sup>2</sup>	mm			
KBOZ 06 01908080	Yellow - Green, Isolated copper conductor	6	190	M8-M8	10	0.2
KB TP 16092200	Nickel Plated, Braided Copper Conductor	16	200	M8-M8	10	0.3



LOCK AND KEYS

Reference	Lock Type	Material		Description	Key Code
		Casing	Cam	Key Type	
KIMS0601115211	C	Chrome Coated Zamak	Zinc coated steel	5 mm Double-bit	KIAN 0100

\* C: Quarter Turn;  
\*\* Keys should be ordered separately.



SPECIAL LOCKS AND KEYS

Reference	Lock Type	Material		Description		Image #	Key Code
		Casing	Cam	Key Type	Casing Type		
KIMS 0601115211	C	Chrome Coated Zamak	Zinc coated steel	5mm Double-bit		1	KIAN 0100
KIEM D5KQ0ZS2M1	C	Black Powder Coated Zamak	Zinc coated steel	5mm Double-bit	Padlockable	2	KIAN 0100
KIMS 0601137211	C	Chrome Coated Zamak	Zinc coated steel	6.5mm Triangular		3	KIMSN 06737
KIMS 0601127211	C	Chrome Coated Zamak	Zinc coated steel	8mm Triangular		4	KIMSN 06738
KIMS 0601138211	C	Chrome Coated Zamak	Zinc coated steel	7mm Square		5	KIMSN 06727
KIMS 063110522	C	Chrome Coated Zamak	Zinc coated steel	Euro Key		6	KIM 55333
KIMS 065110522	C	Chrome Coated Zamak	Zinc coated steel	Euro Key	Wing Knob	7	KIM 55333
KIMS 0622021	C	Polyamide	Zinc coated steel	-	Wing Knob	8	-
KIMS 0621122	C	Chrome Coated Zamak	Zinc coated steel	-	Wing Knob	9	-
KIEM KEZQ0ZS2M0	C	Chrome Coated Zamak	Zinc coated steel	-	Padlockable	10	-

\* C: Quarter Turn; You can see lock quantities of single door and double door enclosures on table at "Overview Page".  
\*\*\* Keys should be ordered separately.



DIN RAILS

Reference	Width	Height	Hole	Length	Weight
	mm	mm			
MR KL 500603	35	7.5	No	2	0.7
MR KL 500604	35	7.5	Yes	2	0.7
MR KL 500609	35	15	Yes	2	1.2

Characteristics

Material	DIN EN 10130 DC01 CCRS
Surface Finishing	Zinc coated Cr <sup>3+</sup> passivation
Standards	DIN EN 60715

