
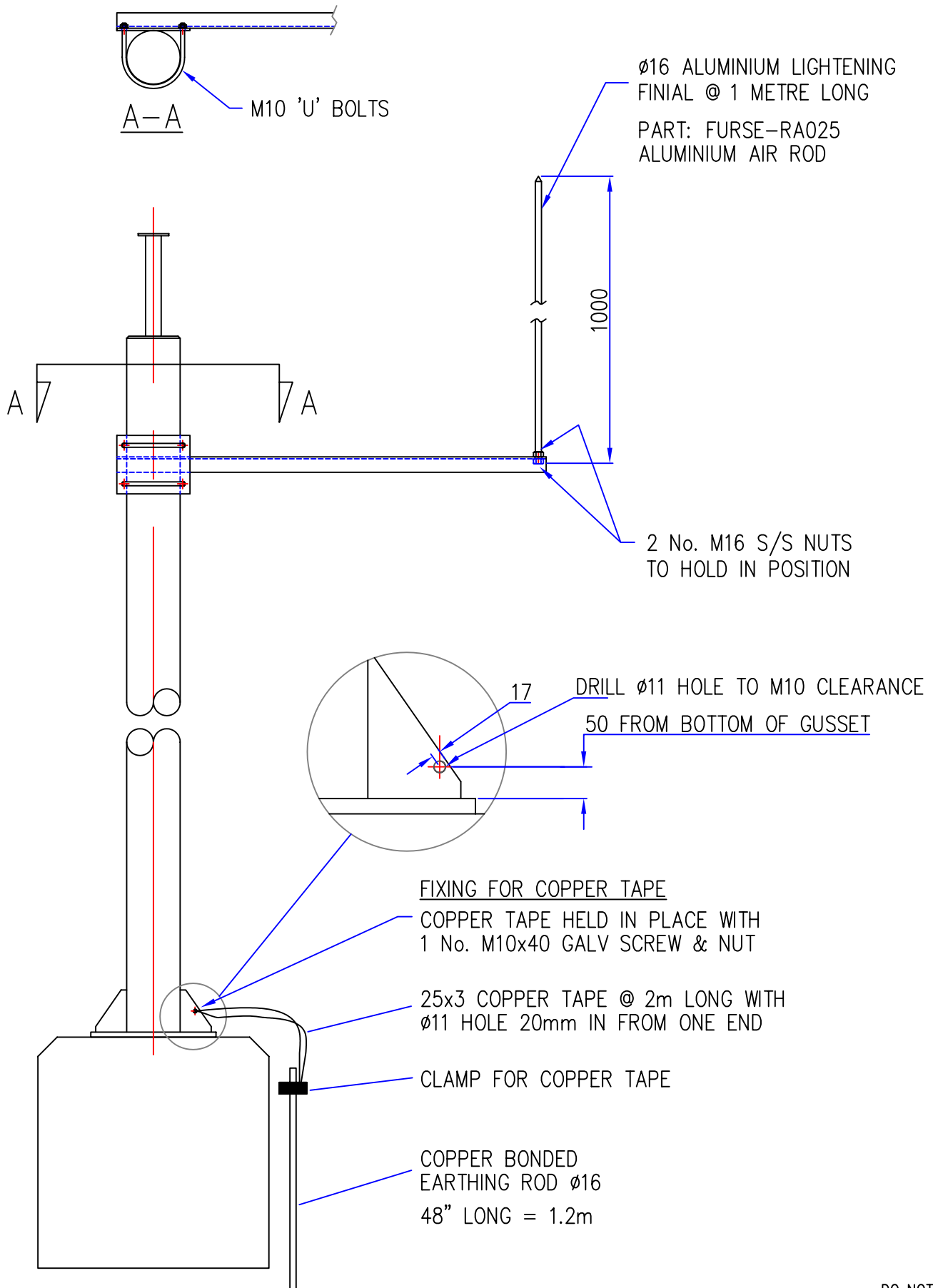


CLIENT	STD PRODUCT
ISSUE	AMMENDMENT

3rd ANGLE PROJECTION 

All rights are strictly reserved and copying or disclosure in part or full to a third party is strictly forbidden without the written consent of ALTRON COMMUNICATIONS EQUIPMENT LTD.

IF IN DOUBT ASK ALL ERRORS TO BE REPORTED



Ø16 ALUMINIUM LIGHTENING FINIAL @ 1 METRE LONG
PART: FURSE-RA025
ALUMINIUM AIR ROD

1000

2 No. M16 S/S NUTS TO HOLD IN POSITION

17 DRILL Ø11 HOLE TO M10 CLEARANCE
50 FROM BOTTOM OF GUSSET

FIXING FOR COPPER TAPE
COPPER TAPE HELD IN PLACE WITH 1 No. M10x40 GALV SCREW & NUT
25x3 COPPER TAPE @ 2m LONG WITH Ø11 HOLE 20mm IN FROM ONE END

CLAMP FOR COPPER TAPE

COPPER BONDED EARTHING ROD Ø16
48" LONG = 1.2m

DIMENSIONS IN mm UNLESS OTHERWISE STATED © ALTRON COMMUNICATIONS EQUIPMENT LTD.

ALL RIGHTS RESERVED DO NOT SCALE

TITLE			
LIGHTNING PROTECTION FOR ELECTRICALLY CONTINUOUS GALVANISED TOWERS			
DRAWN	MATERIAL	FINISH	
SW	AS STATED	GALVANIZE TO ISO 1461	

ALTRON COMMUNICATIONS EQUIPMENT LTD
TOWER HOUSE
PARC HENDRE
AMMANFORD SA18 3SJ
TEL: (01269) 831431
FAX: (01269) 845348
e-mail: comms@altron.co



PRODUCT	DATE
	MAY 06
DWG. No.	
4101-1	-