

GX200 Wired 12V PIR Detector

For Lighting Control and CCTV



2a Bellevue Road, Friern Barnet, London N11 3ER
T. 020 8368 7887 F. 020 8368 3952
info@luminite.co.uk

Product Overview

The GX200 is a high quality passive infra red detector with an IP65 weather proof rating for use in outdoor applications. It has an adjustable head to change the viewing angle.

This product has various uses from commercial and domestic lighting control to CCTV motion detection.

There are four lens pattern options available with the most popular being the 15 metre wide angle which gives a coverage distance of 15 metres out and 20 metres across. The second most popular lens is the 40 metre narrow beam. This is used for perimeter detection or to view a target such as a motor vehicle or garden shed from a distance away.

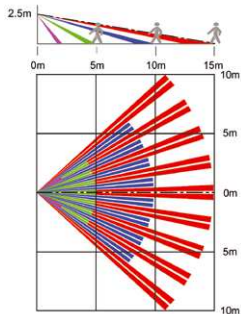
The horizontal curtain lens does not have any downward looking zones which make it ideal for avoiding the detection of small animals. Additionally it may be mounted high up and set to look straight down to give a close coverage against a wall.

The vertical curtain lens is for looking along a wall or perimeter fence.

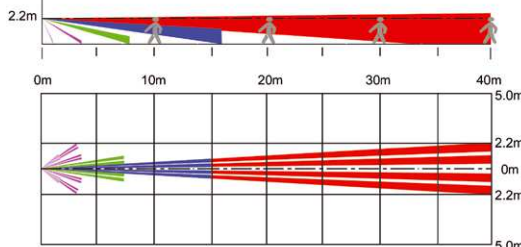
The GX200's are wired back to either a CCTV system or a DX100 lighting control unit by using only 4 core alarm cable. For lighting control a DX100 mains powered control unit is available and this also provides the 12 volts to power the detector. If the detector is to be used with a CCTV system and without a DX100, it will require a separate 12 volt DC supply.



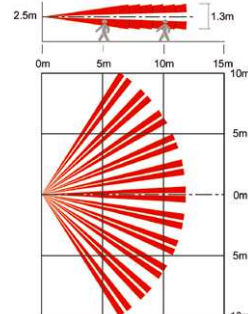
Available Detection Patterns



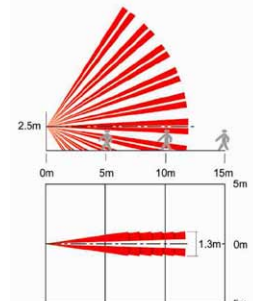
GX200/15
15m Medium range



GX200/40
40m Narrow range

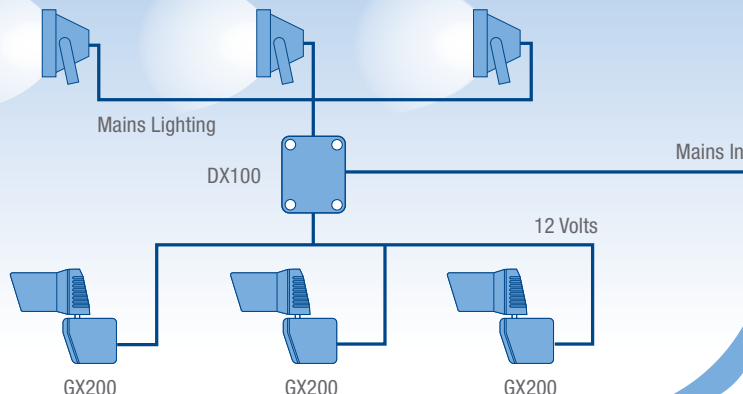


GX200/12HC
12m Horizontal Curtain



GX200/12VC
12m Vertical Curtain

Installation



For Use With GX200

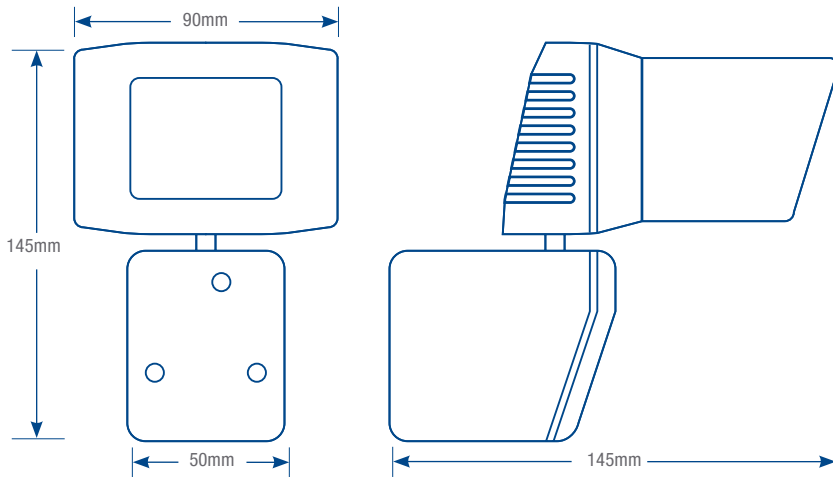


DX100 Lighting Control Unit

For more information see separate datasheets



Dimensions



Specifications

Supply	12V DC
Power consumption	Relay closed 17m/a Relay open 7m/a
Siting	Can be mounted in horizontal or vertical modes and adjusted to various angles
Detection	Passive Infrared
Coverage	15m Medium range 40m Narrow range 12m Horizontal Curtain 12m Vertical Curtain
Contacts	Volt free N/O or N/C
Contact time	2 seconds
Ambient light control	Built in light sensor for use with DX100
Temperature range	-10 to +60°C
Weather rating	IP65
Enclosure	Durable ABS UV stabilised housing. Colour grey. Optional colours: white or black.

