



HEAVY
 DUTY STEEL

BT7807

HEAVY DUTY TWIN POLE CEILING / FLOOR MOUNT FOR Ø50MM POLES



Made from heavy duty steel, the BT7807 is a robust, twin pole mounting solution designed to mount Ø50mm poles to the floor or ceiling. Capable of supporting heavy loads, it is the ideal solution for heavy duty flat screen installations or complex configurations that feature multiple screens or AV components. Finished installations look neat and tidy thanks to plastic cover plates which are included as standard.

SPECIFICATION

Max Load	200kg*
Elevation / Drop	141mm
Plate Dimensions	426mm x 150mm
Colour	Black or White

*Max load can be increased when being used as part of a floor to ceiling installation

FEATURES

- Can be used to mount two Ø50mm poles to the ceiling or to the floor
- Heavy duty steel capable of supporting substantial loads
- Multiple grub screws allow micro-adjustment of the pole to ensure a perfectly angled drop, even with heavy loads attached
- Speeds up twin pole installations by eliminating the need to measure the distance between pole centres
- Integrated cable management through the top or side of the mount
- Includes cover plate for a neat and tidy installation



Ideal for mounting ceiling mounting heavy duty screens which require extra-large mounts



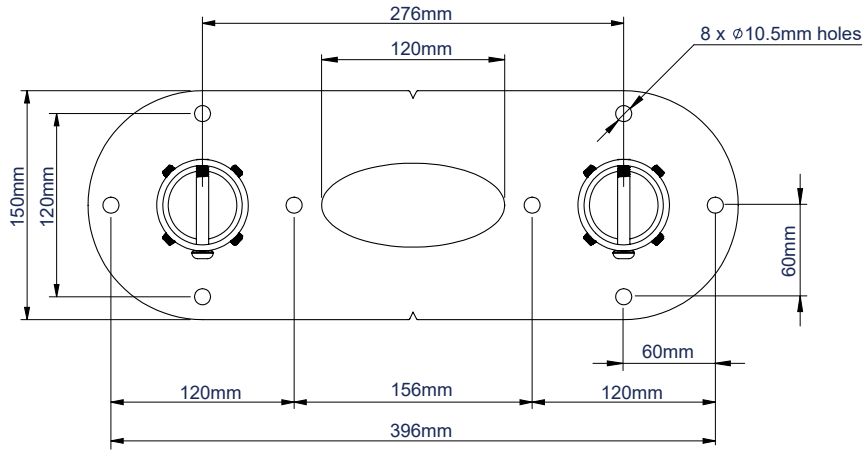
Can be used to mount poles to the floor or ceiling



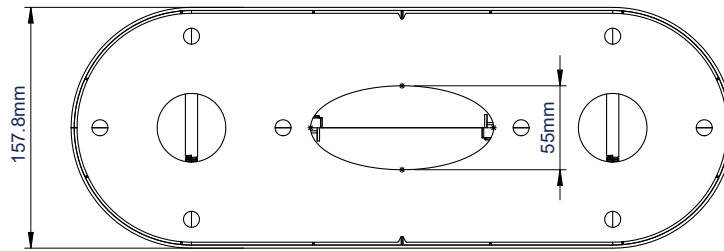
Integrated cable management to hide unsightly cables



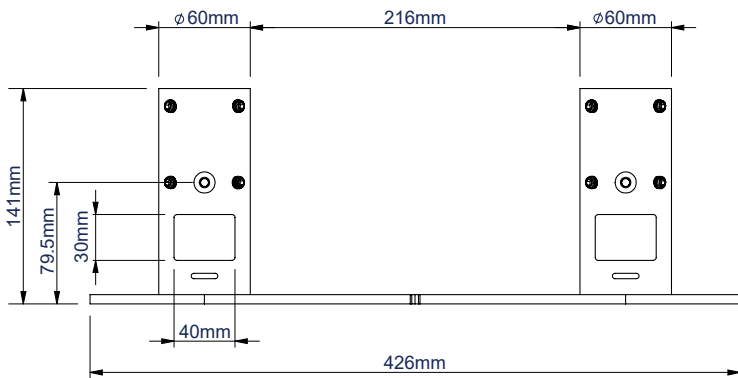
Ideal for creating multi-screen pole mounted installations - such as video walls



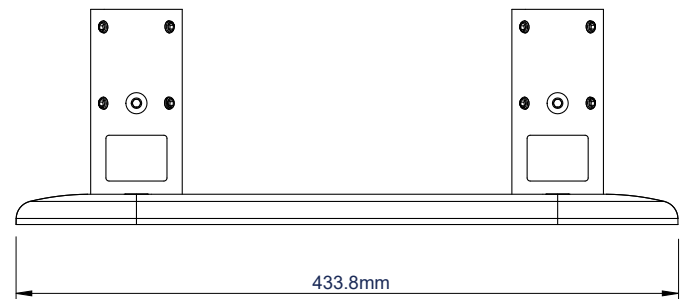
BOTTOM VIEW



TOP VIEW WITH COVER PLATE



SIDE VIEW



SIDE VIEW WITH COVER PLATE

PACKING INFORMATION

COLOUR:	ORDER REF:	EAN CODE:	PCS (QTY):	INNER CARTON QTY:	MASTER CARTON WEIGHT:	MASTER CARTON CUBE:
Black	BT7807/B	5019318759659	2	0	9.72kg	0.032cbm
White	BT7807/W	5019318071362	2	0	9.72kg	0.032cbm

ACCESSORIES AND RELATED PRODUCTS



BT7850
Ø50mm Poles are designed for ceiling, floor or floor-to-ceiling installations, available up to 3m



BT7841
50mm Accessory Collar for fixing mounts & accessories to Ø50mm poles



BT7822
Heavy Duty Ceiling Mount / Floor Mount to mount any Ø50mm Pole to the ceiling or floor



BT7056
Floor Fixing Kit for use in floor-to-wall or ceiling-to-floor installs'

© 2019 B-Tech Professional Design & Manufacturing Ltd. All rights reserved.
The information in this specification sheet reflects the current technical specifications at the time of print.
An acceptance of the technical or physical specifications without reservation. B-Tech Professional and B-Tech Mounts are registered trademarks of B-Tech Professional Design & Manufacturing Ltd.
B-Tech Professional is not liable for loss or damage caused by improper installation or mounting on unstable surfaces. Any reproduction or representation or replication of any part of this specification is strictly prohibited unless prior written permission has been granted by B-Tech Professional Design & Manufacturing Ltd. (B-Tech Professional).

SS-BT7807-V3-190719