



FOR USE
WITH Ø50MM
POLES

BT7051

Ø50MM HEAVY DUTY ACCESSORY COLLAR

The BT7051 Heavy Duty Ø50mm Accessory Collar is a core component of the 'System 2' range and is designed to attach a variety of different mounts and accessories onto B-Tech poles. Dual fixing points make it possible to mount items back-to-back.

SPECIFICATION

Compatible pole diameter	Ø50mm
Collars supplied per pack	1
Colour option	Black or Chrome

FEATURES

- Heavy duty accessory collar used to attach mounts and accessories to Ø50mm poles
- Dual fixing points allow back-to-back installations onto a single collar
- Supplied with cover plates for a neat and tidy finish (single side installs only)



Used to attach mounts and accessories to Ø50mm poles



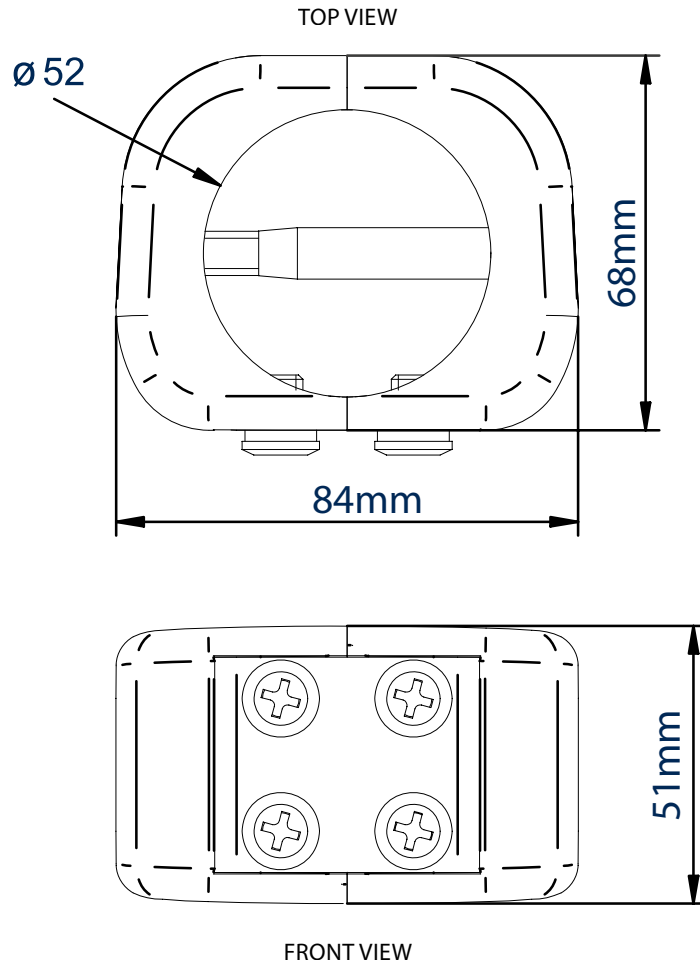
Dual fixing points allow back-to-back installations onto a single collar



Supplied with cover plates for a neat and tidy finish



Available in Black or Chrome



PACKING INFORMATION

COLOUR:	ORDER REF:	EAN CODE:	PCS (QTY):	INNER CARTONS:	MASTER CARTONS:	MASTER CARTON WEIGHT:	MASTER CARTON CUBE:
Black	BT7051/B	5019318070761	40	0	1	14.7KG	0.028cbm

ACCESSORIES AND RELATED PRODUCTS FOR USE WITH BT7502

<p>BT7841</p> 	<p>BT7052</p> 	<p>BT7850</p> 	<p>BT7055</p> 
--	--	---	--

Ø50mm 2-Piece Accessory Collar allows a wide range of mounts and accessories to be fitted to Ø50mm poles

Ø50mm Accessory Collar used to attach mounts and accessories to Ø50mm poles

Ø50mm Poles available in Black, White or Chrome and a variety of lengths

Ceiling Finishing Ring designed to improve the look of a ceiling mounted install

© 2016 B-Tech International Pty. Ltd. All rights reserved. This information is specific and not reflective of current technical specifications at the time of print. We warrant the right to change the technical or physical specifications without notice. This is a trademark of B-Tech International Pty. Ltd. B-Tech International Pty. Ltd. is not responsible for any damage caused by improper or mounting on unsuitable structures. Any reproduction or transmission or replication of any part of this specification is strictly prohibited unless prior written permission has been granted by B-Tech International Pty. Ltd.

SS-BT7501-V2-300919