

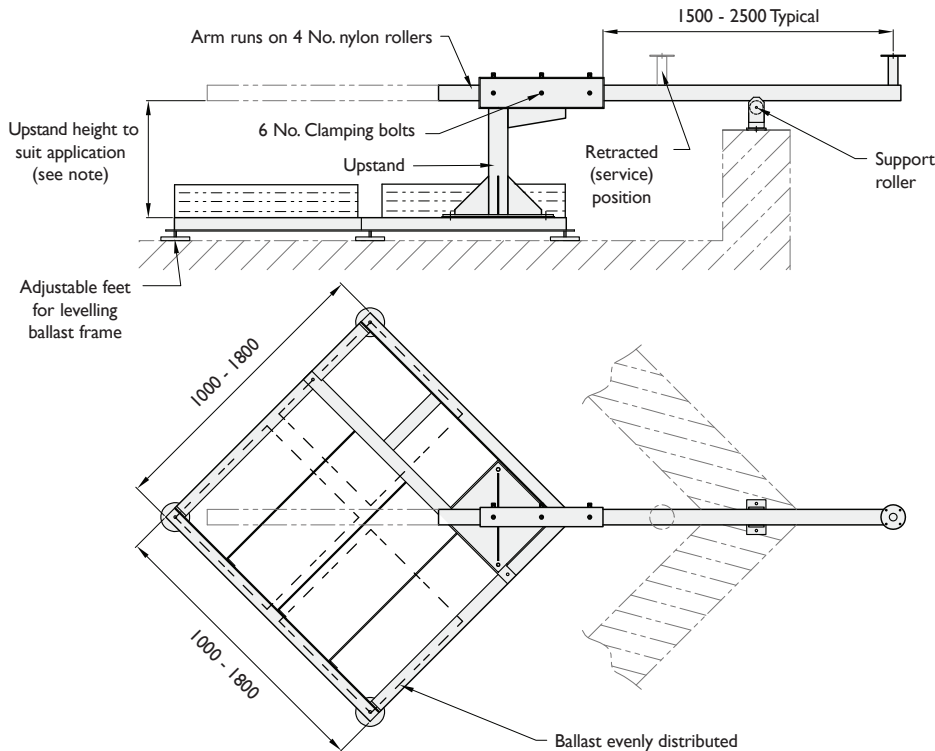
→ Roof Mounted Brackets

Sliding Arm Brackets

SAI-RM

Roof mounted sliding arm bracket

Typical application – to enable servicing of camera between handrail or cladding panels where arm cannot be rotated.



Arm Length	Pt No.
1.5m	SAI-1500RM
2m	SAI-2000RM
2.5m	SAI-2500RM

Upstand Heights Available

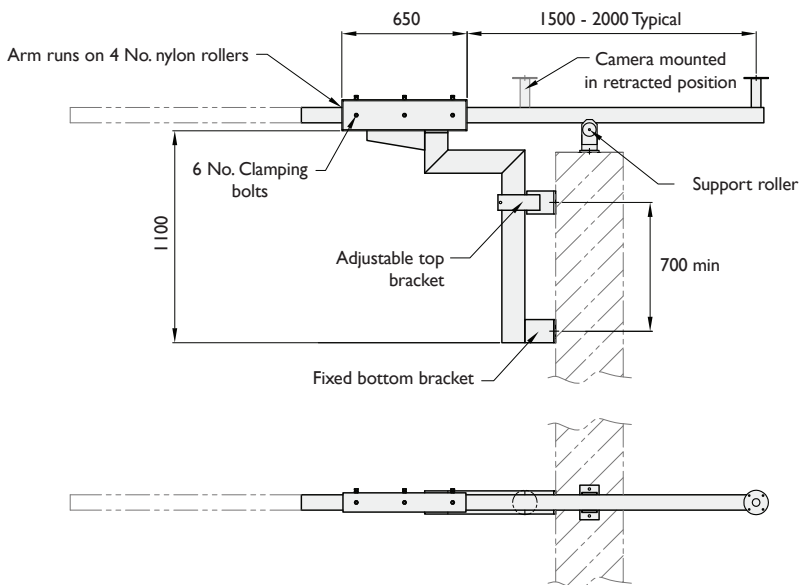
Upstand height is dependant on parapet height and is made to order

- o Max. load capacity 25kgs / 0.25m² (front support roller must be used)
- o Also available with bolt together frame (suffix /BD) for access onto restricted roof areas. (/BD standard on 1500 + 1800 frames, refer to website for full part no. list)
- o Typical ballast amount 100 - 320kgs depending on arm length, post height, location and roof height above ground level

Available as corner mount (as shown) or as flat mount (specify when ordering)

SAI-PM

Parapet mounted sliding arm bracket



Arm Length	Pt No.
Flat Parapet Mount	
1m	SAI-1000PM
1.5m	SAI-1500PM
2m	SAI-2000PM
Corner Parapet Mount	
1m	SAI-1000PMC
1.5m	SAI-1500PMC
2m	SAI-2000PMC

- o Available as flat mount as shown or corner mount
- o Camera load using the front support roller 25kgs / 0.25m². Without front support roller, max camera load 15kgs / 0.15m²

- o Parapets must be of solid construction, ideally pre-cast concrete or steel-framed
- o For brick built parapets, single skin construction is not suitable
- o Parapets where the brickwork is not in good condition are not suitable
- o The minimum parapet height is 1100mm
- o The product head load must not be exceeded
- o In cases where a greater head load is proposed, Altron must be contacted and suitable advice should be sought regarding parapet construction and strength

All brackets for camera mounting have a Ø127 mounting plate with Ø8.5 holes equi - spaced on 101.6 PCD