



**INCREASE  
MOUNTING  
PATTERNS TO  
VESA 200**

# BT7542

## INTERFACE ADAPTOR ARMS FOR VESA®

### 200 X 100 & 200 X 200

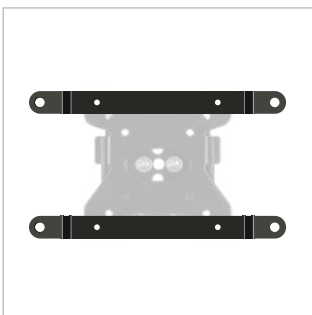
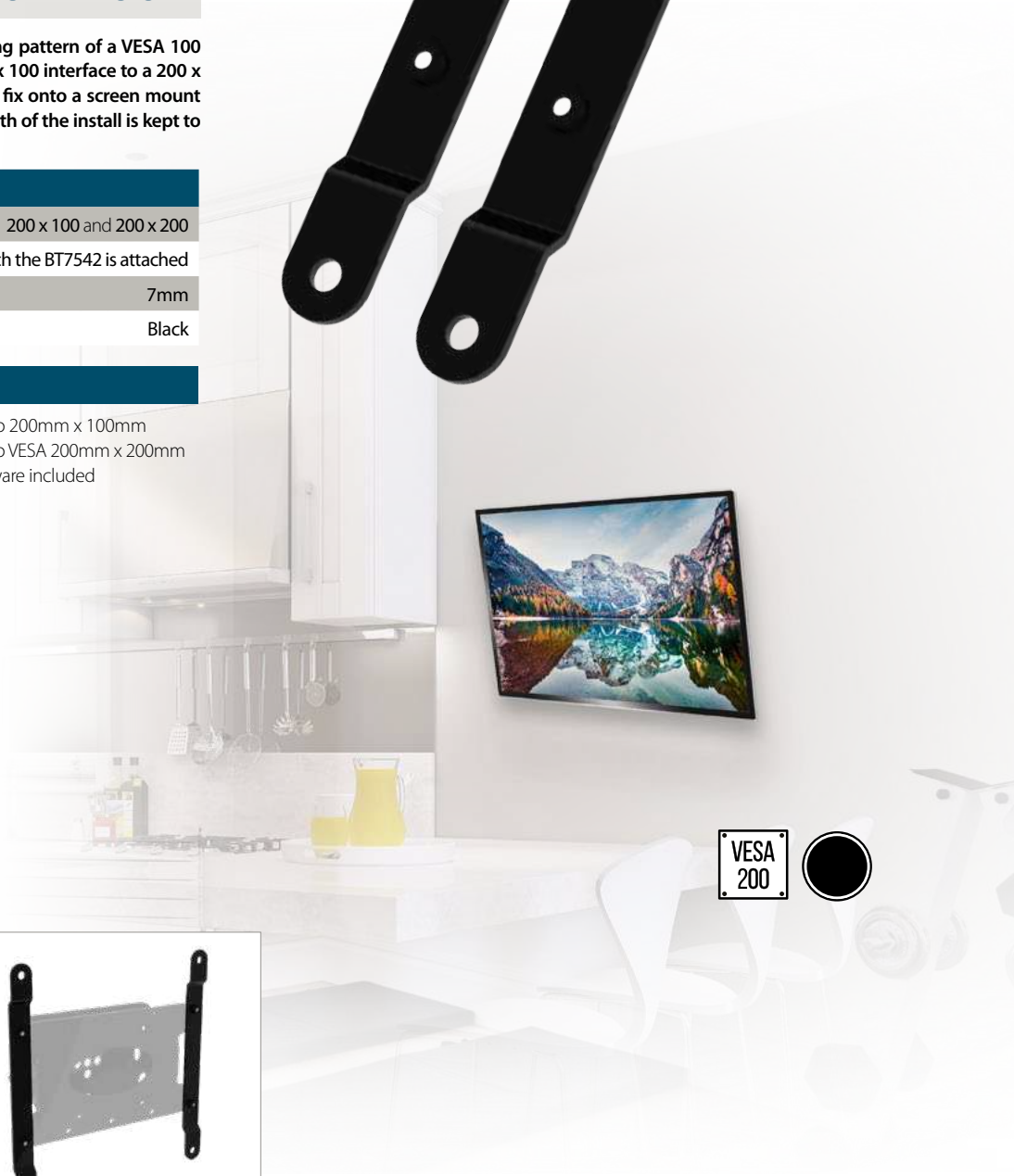
Designed to increase the screen mounting pattern of a VESA 100 interface to 200 x 100mm or a VESA 200 x 100 interface to a 200 x 200mm. The BT7542 adaptor arms easily fix onto a screen mount with the slimline design ensuring the depth of the install is kept to a minimum.

#### SPECIFICATION

VESA® compatibility	200 x 100 and 200 x 200
Max load	dependent on mount to which the BT7542 is attached
Depth increase to the install	7mm
Colour	Black

#### FEATURES

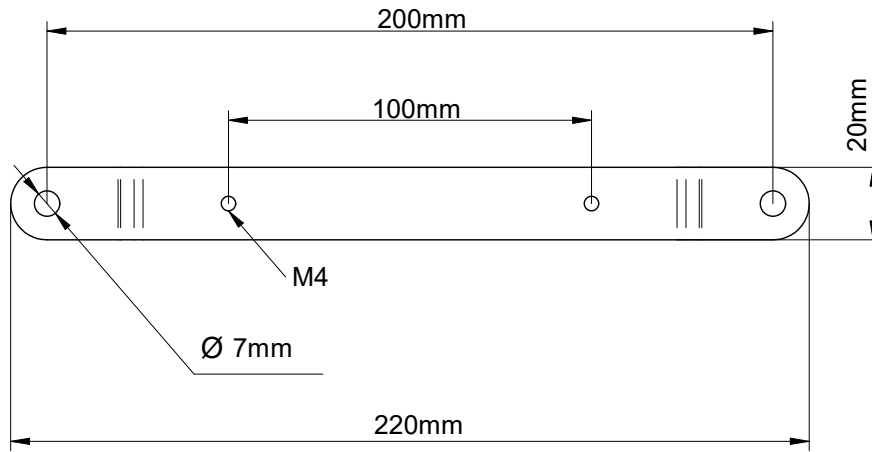
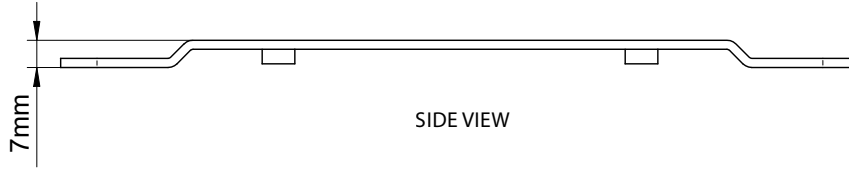
- Convert VESA 100mm x 100mm mounts to 200mm x 100mm
- Converts VESA 200mm x 100mm mounts to VESA 200mm x 200mm
- Simple installation with all mounting hardware included



Attaches to VESA 100 interfaces to increase capacity to VESA 200 x 100



Attaches to VESA 200 x 100 interfaces to increase capacity to VESA 200 x 200



TOP VIEW

PACKING INFORMATION

COLOUR:	ORDER REF:	EAN CODE:	PCS (QTY):	INNER CARTONS:	MASTER CARTONS:	MASTER CARTON WEIGHT:	MASTER CARTON CUBE:
Black	BT7542/B	5019318079184	32	0	1	10.6KG	0.015cbm

ACCESSORIES AND RELATED PRODUCTS

<p><b>BT7540</b></p> <p><b>Interface Adaptor Arms</b> for VESA 300 x 200 and VESA 400 x 200</p>	<p><b>BT7510</b></p> <p><b>Flat Screen Wall Mount</b> for screens with VESA® 50, 75 or 100 fixings</p>	<p><b>BT7502</b></p> <p><b>Interface Adaptor Plate</b> for VESA 200 x 100 and VESA 200 x 200</p>	<p><b>BT7564</b></p> <p><b>Interface Adaptor Arms</b> for VESA 600 x 400</p>
---	--	--	--

© 2019 B-Tech Mounts. All rights reserved. This document is the property of B-Tech Mounts. The information in this document is for informational purposes only. B-Tech Mounts and its products are registered trademarks of B-Tech Mounts. All other trademarks are the property of their respective owners. B-Tech Mounts is not responsible for any damage or loss of data caused by improper use of its products. Any reproduction or transmission of any part of this document is strictly prohibited without the prior written permission of B-Tech Mounts. Information subject to change without notice. E&OE.

SS-V2-BT7542-020919