

# PoE Splitter

MODEL: TL-POE10R Datasheet

## Features

- Complies with IEEE802.3af standard
- Cost saving, no power cabling for Ethernet network device
- Advanced Auto-Sensing Algorithm enables taking power from 802.3af PSE
- Adjustable 5VDC, 9VDC or 12VDC output with slide switch
- Supplies up to 10W at 5VDC, 9W at 9VDC or 12W at 12VDC
- High safety with Short Circuit Protection
- Supports power detection and classification
- Auto disconnection for over voltage, under voltage or over current
- Plug & Play installation, requires no configuration



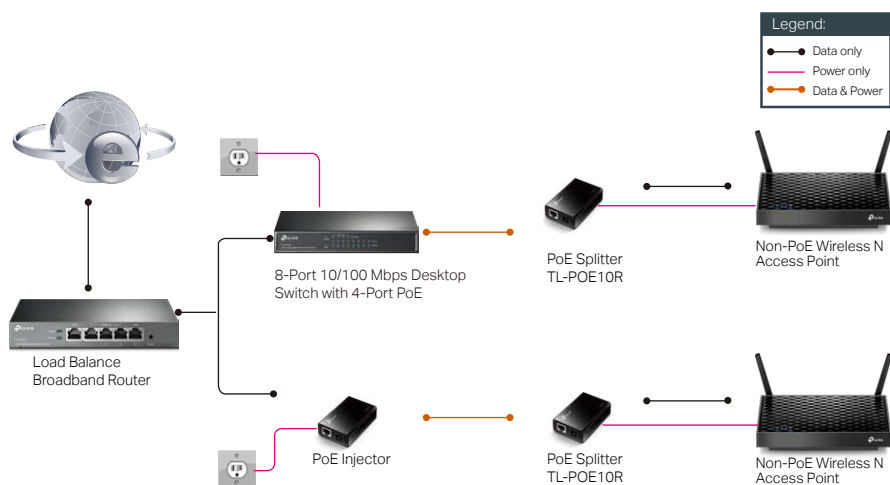
## Overview

TP-Link's PoE Splitter TL-POE10R fully complies with IEEE 802.3af standard. It can receive power and data from all IEEE 802.3af PoE compliant PSE (Power Source Equipment) or PoE Injector, such as TP-Link's T2600G-28MPS, TL-SF1008P, TL-POE150S or other equivalent products, then split electric power and data into two cables, so you can install the non-PoE devices like Wireless Access Points, IP Cameras or IP Phones, in remote location where there are no power lines or outlets, where you wish to fix these devices.

# Specifications

Product Picture	
Model	TL-POE10R
Standards	IEEE802.3, IEEE802.3u, IEEE802.3ab, IEEE802.3af
Ports	1 10/100/1000Mbps Auto-Negotiation RJ45 PoE port(POWER+DATA IN) 1 10/100/1000Mbps Auto-Negotiation RJ45 LAN port(LAN OUT) 1 power socket(DC OUT)
Network Media	10BASE-T: UTP category 3, 4, 5 cable (maximum 100m) EIA/TIA-568 100Ω STP (maximum 100m) 100BASE-TX: UTP category 5, 5e cable (maximum 100m) EIA/TIA-568 100Ω STP (maximum 100m) 1000BASE-T: UTP category 5, 5e, 6 cable(maximum 100m)
Basic Function	Auto-Sensing Algorithm enables taking power from 802.3af PSE Adjustable 5VDC,9VDC or 12VDC power supply Plug-and-Play
Power	Adjustable output 5VDC/2A,9VDC/1A or 12VDC/1A
LED Indicator	ON: Connected to PSE correctly Off: NO PSE is connected
Dimensions ( W x D x H )	80.8 x 54 x 24mm
Certification	FCC, CE, RoHS
Package Contents	TL-POE10R, Power Cord, RJ45 cable, Installation Guide
Environment	Operating Temperature: 0°C~40°C (32°F~104°F) Storage Temperature: -40°C~70°C (-40°F~158°F) Operating Humidity: 10%~90%RH non-condensing Storage Humidity: 5%~90%RH non-condensing

# Diagram



## Package:

- TL-POE10R PoE Splitter
- One Ethernet (CAT.5 UTP) Cable
- One Power Cable
- User Guide

## Related Products:

- Load Balance Broadband Router TL-R470T+
- 8-Port 10/100Mbps Desktop Switch with 4-Port POE TL-SF1008P
- PoE Injector TL-POE150S
- AC750 Wireless Gigabit Access Point AP200

[www.tp-link.com](http://www.tp-link.com)

Specifications are subject to change without notice. TP-Link is a registered trademark of TP-Link Technologies Co., Ltd. Other brands and product names are trademarks or registered trademarks of their respective holders. Copyright © 2017 TP-Link Technologies Co., Ltd. All rights reserved.